

PRODUCT DATA SHEET

Burlington[®]



PRODUCT CODE

GU330TRIMC

RANGE

Guild

DESCRIPTION

Guild Bath 3TH Trim Set Wall Mounted Chrome

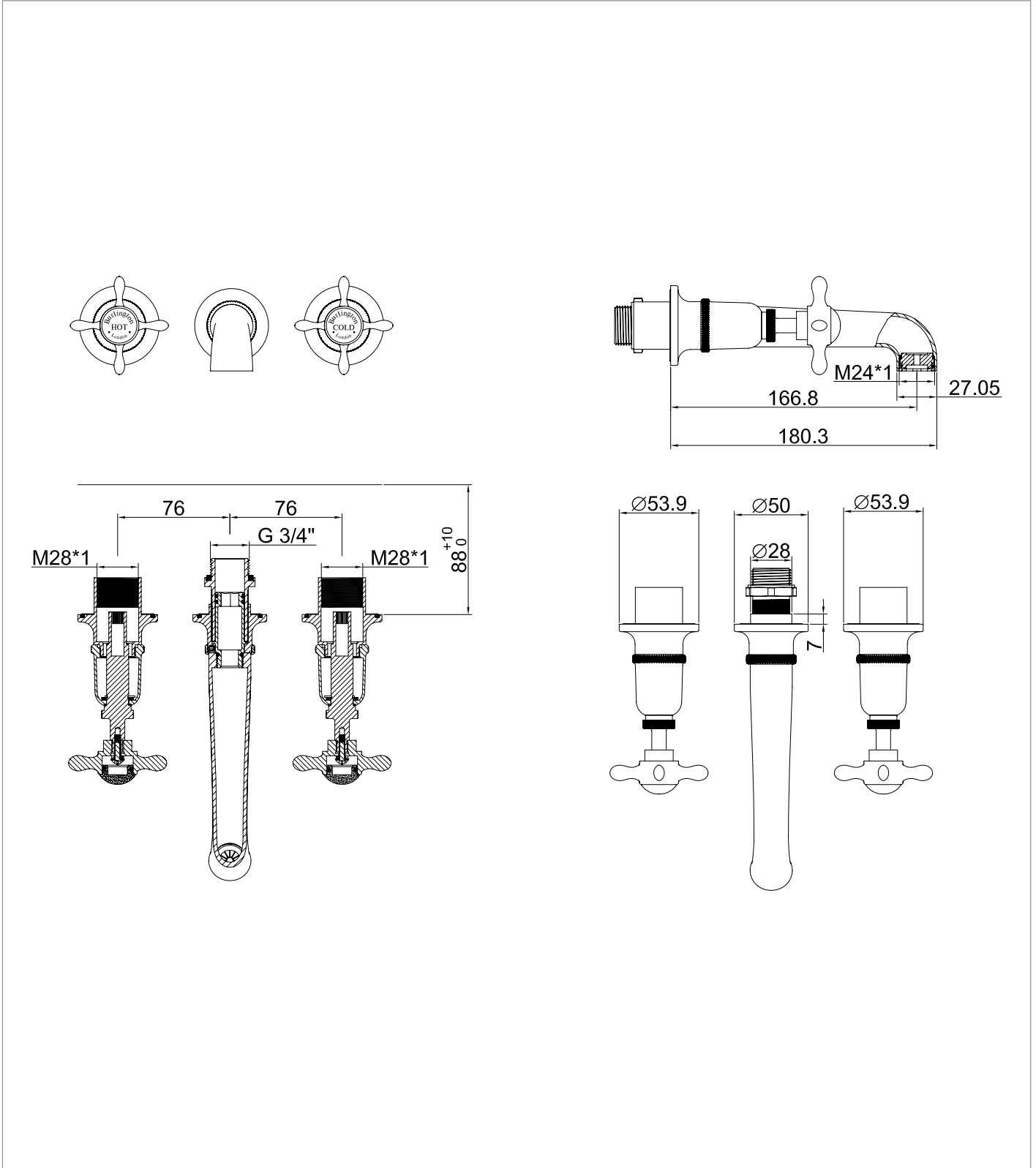
CATEGORY	Brassware						
WARRANTY DETAILS	15 Years						
COLOUR	Chrome						
FINISH APPLICATION	Electroplated						
PRIMARY MATERIAL	Brass						
SECONDARY MATERIAL	Vitreous China						
INSTALL TYPE	Wall Mounted						
PRODUCT WIDTH MM	218.5						
PRODUCT HEIGHT MM	180.3						
PRODUCT LENGTH MM	53.9						
PRODUCT NET WEIGHT KG	2						
STANDARDS	EN200,EN817						
PRESSURE (BAR)	0.2	0.5	1	2	3	4	5
PRIMARY FLOWRATE	11.8	18.66	26.4	36.63	44.04	52.26	59.03
HANDSET FLOWRATE							
MESSAGE FLOW RATE							
AIR FLOW RATE							
WIRE FLOW RATE							
WATERFALL FLOW RATE							
MIST FLOW RATE							
HANDSPRAY FLOW RATE							

MINIMUM PRESSURE (BAR)	0.3
MAX WORKING PRESSURE (BAR)	5
NUMBER OF OUTLETS	1
NUMBER OF FUNCTIONS	1
SPOUT PROJECTION	180.3
SWIVEL SPOUT	No
INLET CONNECTIONS THREAD	G1/2"
OUTLET CONNECTIONS THREAD	M24*1
FLOW REGULATOR	Aerator, Flow straightener
WASTE INCLUDED	No
ANTI-SCALD	No
ENERGY SAVING	No
SHOWER HOSE & HANDSET ARE INCLUDED	No

TECHNICAL DIMENSIONS

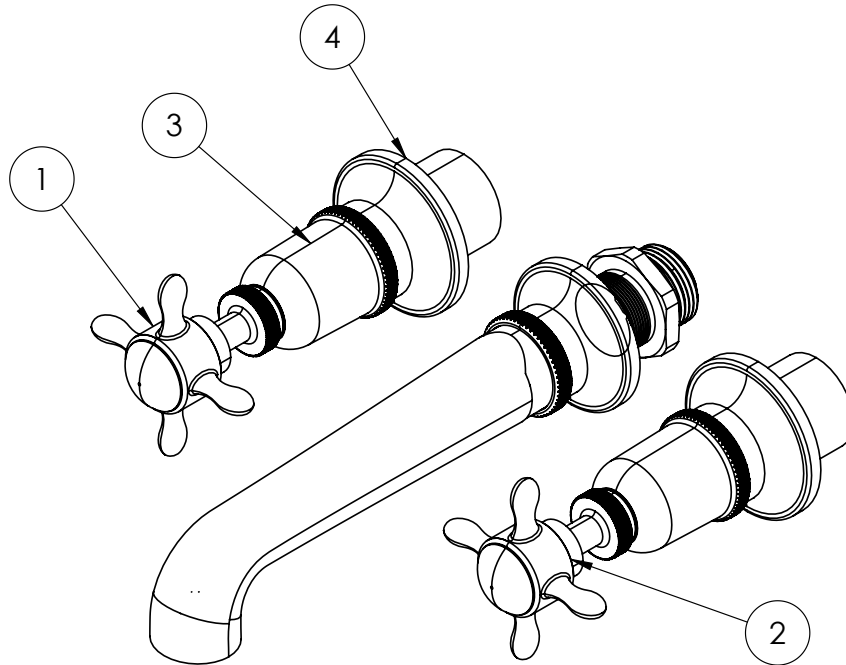
Dimensions in mm unless otherwise specified.

Tolerances (per material type) apply.



SPARES LIST

Only the parts labelled are available as spares.



NUMBER	PART CODE	DESCRIPTION
1	SP1835CHR	Guild Hot handle assembly in Chrome
	SP1835BNKL	Guild Hot handle assembly in Brushed Nickel
	SP1835GOLD	Guild Hot handle assembly in Gold
2	SP1836CHR	Guild Cold handle assembly in Chrome
	SP1836BNKL	Guild Cold handle assembly in Brushed Nickel
	SP1836GOLD	Guild Cold handle assembly in Gold
3	SP1844CHR	Guild handle collar assembly in Chrome
	SP1844BNKL	Guild handle collar assembly in Brushed Nickel
	SP1844GOLD	Guild handle collar assembly in Gold
4	SP1845CHR	Guild Fixing thread part for handle collar in Chrome
	SP1845BNKL	Guild Fixing thread part for handle collar in Brushed Nickel
	SP1845GOLD	Guild Fixing thread part for handle collar in Gold