

PRODUCT DATA SHEET

Burlington[®]



PRODUCT CODE

GU6105DOK

RANGE

Guild

DESCRIPTION

Guild Soft Close Toilet Seat Dark Oak

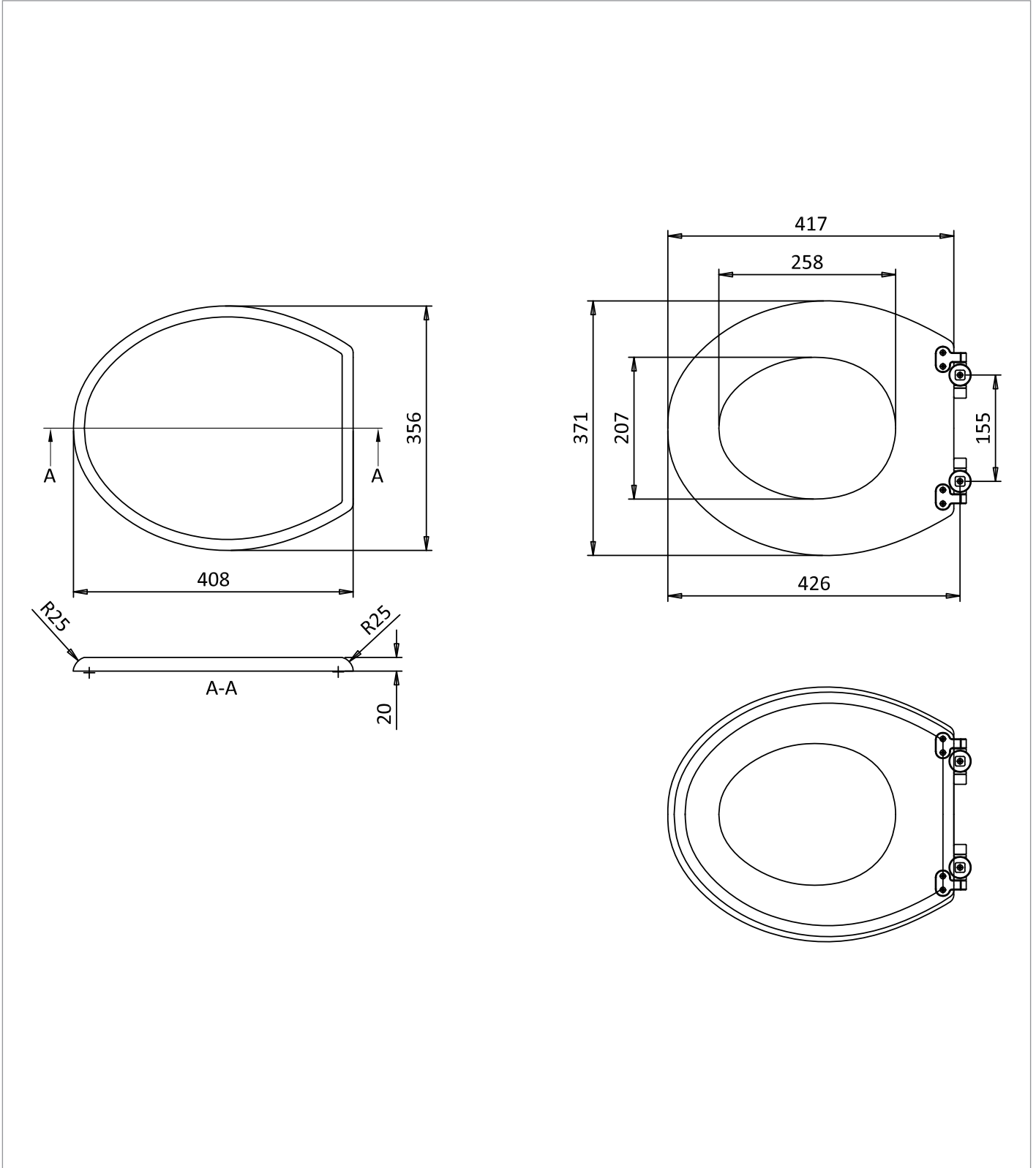
CATEGORY	Sanitaryware
WARRANTY DETAILS	2 Years
COLOUR	Dark Oak
FINISH APPLICATION	Veneer
PRIMARY MATERIAL	Wood
INSTALL TYPE	Toilet Mounted
PRODUCT WIDTH MM	426
PRODUCT HEIGHT MM	18
PRODUCT DEPTH MM	371
PRODUCT NET WEIGHT KG	3.33

FIXINGS INCLUDED	Yes
FIXING TYPE	Top fixing

TECHNICAL DIMENSIONS

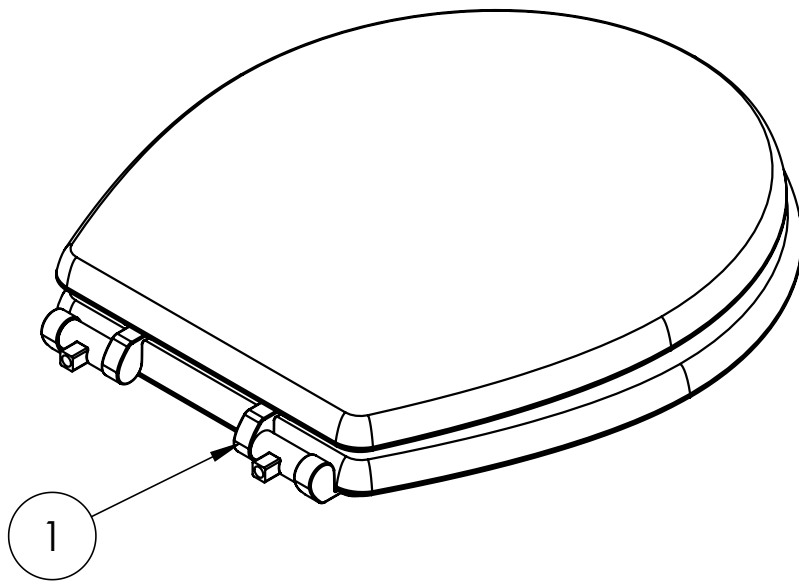
Dimensions in mm unless otherwise specified.

Tolerances (per material type) apply.



SPARES LIST

Only the parts labelled are available as spares.



NUMBER	PART CODE	DESCRIPTION
1	SP1805	Guild Seat Hinges with top fixings Chrome