

# PRODUCT DATA SHEET

*Burlington*<sup>®</sup>



## PRODUCT CODE

T27-QT BNKL

## RANGE

Victorian


## DESCRIPTION

T27 Mono Basin Mixer Brushed Nickel

CATEGORY	Brassware
WARRANTY DETAILS	15 Years
COLOUR	Brushed Nickel
FINISH APPLICATION	PVD
PRIMARY MATERIAL	Brass
INSTALL TYPE	Deck Mounted
PRODUCT WIDTH MM	155
PRODUCT HEIGHT MM	145
PRODUCT DEPTH MM	160
PRODUCT NET WEIGHT KG	1.29
STANDARDS	BS EN 200:2008, BS EN 817:2008

MINIMUM PRESSURE (BAR)	0.5
MAX WORKING PRESSURE (BAR)	5
NUMBER OF OUTLETS	1
HEADWORK	G 3/4"
SPOUT PROJECTION	115
FLOW REGULATOR	Flow straightener & Aerator Caché Honeycomb
WASTE INCLUDED	No
ANTI-SCALD	No
ENERGY SAVING	No
SHOWER HOSE & HANDSET ARE INCLUDED	No

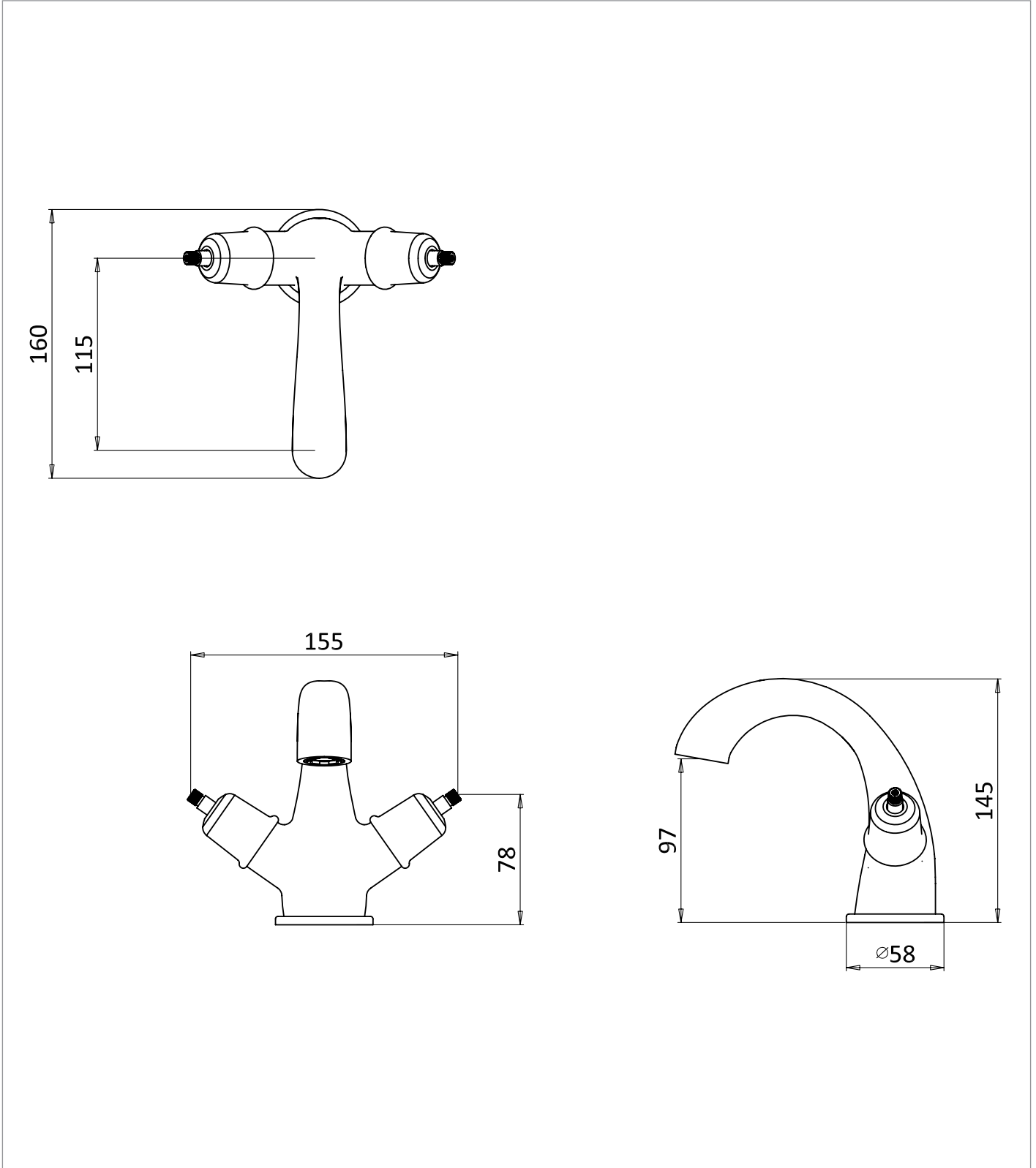
PRESSURE (BAR)	0.2	0.5	1	2	3	4	5
PRIMARY FLOWRATE		30.87	37	42	50		
HANDSET FLOWRATE							
MESSAGE FLOW RATE							
AIR FLOW RATE							
WIRE FLOW RATE							
WATERFALL FLOW RATE							
MIST FLOW RATE							
HANDSPRAY FLOW RATE							

 Part of the Bathroom Brands Group

## TECHNICAL DIMENSIONS

Dimensions in mm unless otherwise specified.

Tolerances (per material type) apply.



## SPARES LIST

Only the parts labelled are available as spares.

PART CODE	DESCRIPTION
SP1549	Rubber Gasket for BasePlate T27-QT-
SP1553	Clamping Sets for T27-QT
SP1547	Flow Straightener
SP1548	Aerator for T27-QT/T27-QT GOLD/T27-QT NK
SP162	Burl. spare nozzle,washer,allen key and