

PRODUCT DATA SHEET

Burlington[®]



PRODUCT CODE

CH1001SCW

RANGE

Chalfont

DESCRIPTION

Chalfont Ceramic Double Basin
1000mm 1 Tap Hole

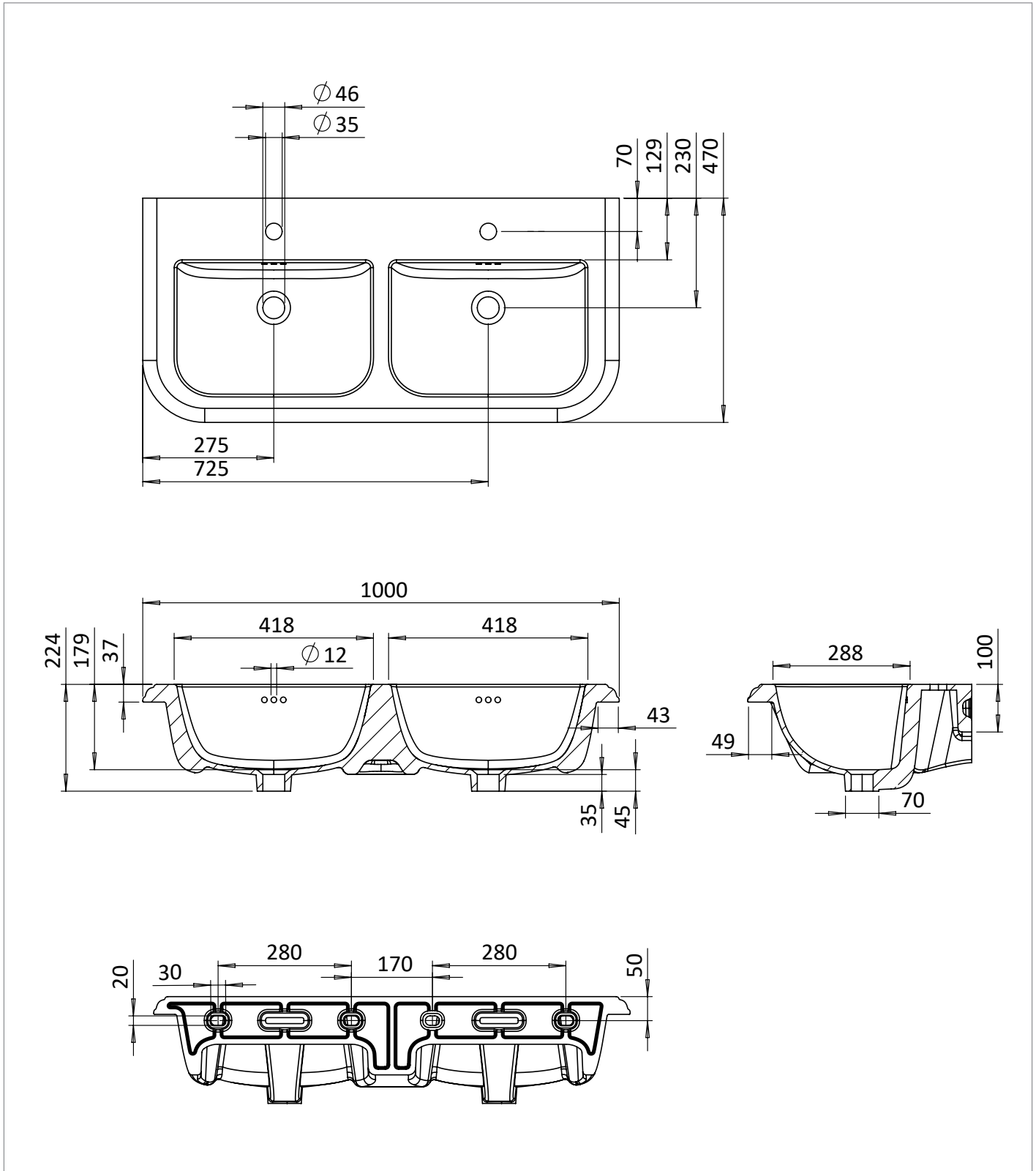
CATEGORY	Sanitaryware
WARRANTY DETAILS	Lifetime
COLOUR	Gloss White
FINISH APPLICATION	Glazed
PRIMARY MATERIAL	Fine Fire Clay
INSTALL TYPE	Furniture Mounted
PRODUCT WIDTH MM	470
PRODUCT HEIGHT MM	224
PRODUCT LENGTH MM	1000
PRODUCT NET WEIGHT KG	16.5
STANDARDS	EN 31:2011,EN 14688:2015

TAP HOLES	1TH
FIXINGS INCLUDED	No
OVERFLOW	Yes
BASIN WASTE SIZE	45mm

TECHNICAL DIMENSIONS

Dimensions in mm unless otherwise specified.

Tolerances (per material type) apply.



SPARES LIST

Only the parts labelled are available as spares.

NO SPARES AVAILABLE