

# PRODUCT DATA SHEET

*Burlington*<sup>®</sup>



## PRODUCT CODE

R1 BNKL

## RANGE

Heating

## DESCRIPTION

Trafalgar Brushed Nickel/White Towel Warmer

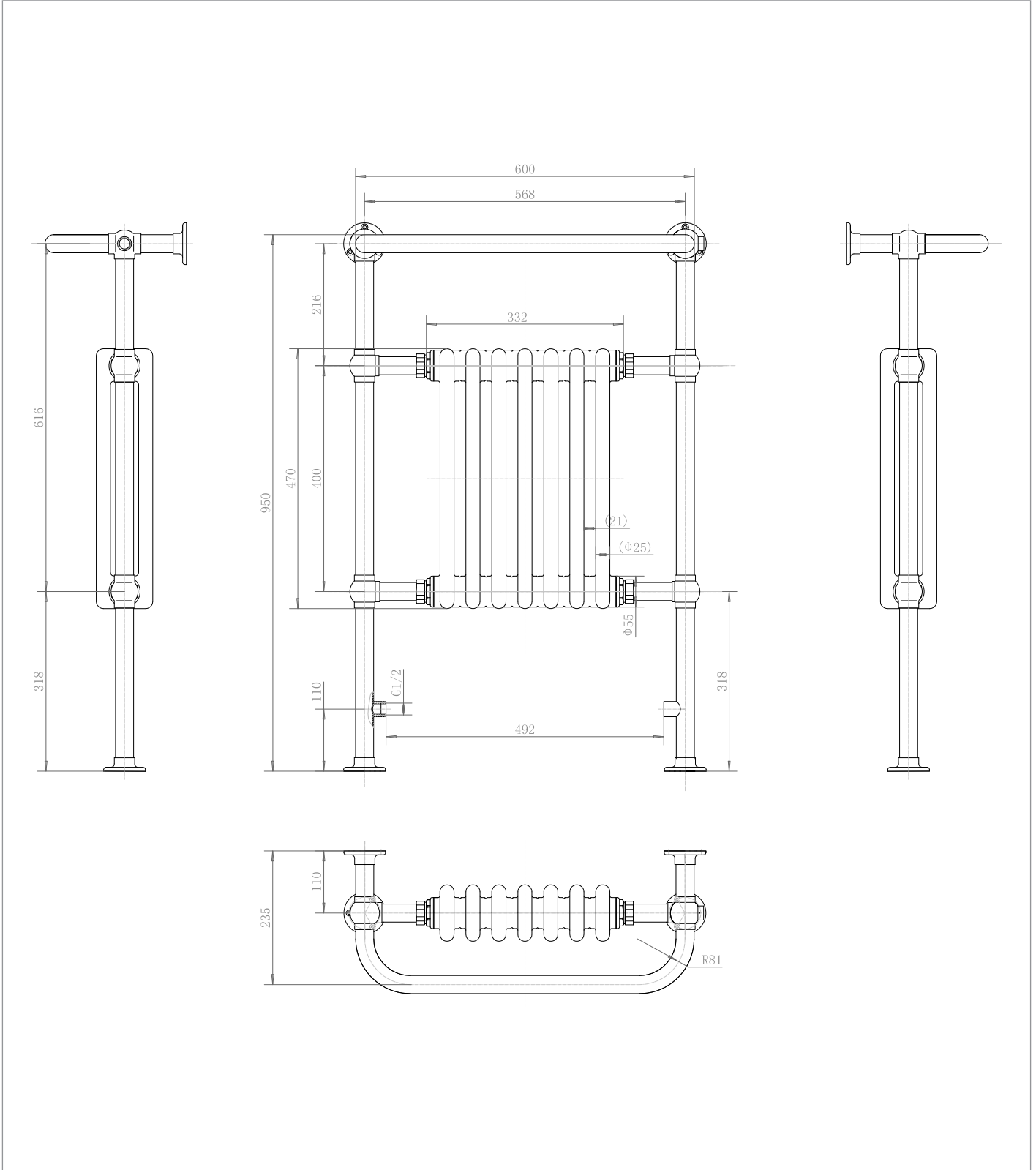
CATEGORY	Heating
WARRANTY DETAILS	5 Years
COLOUR	Brushed Nickel
FINISH APPLICATION	PVD
PRIMARY MATERIAL	Steel
INSTALL TYPE	Floor Standing
PRODUCT WIDTH MM	600
PRODUCT HEIGHT MM	950
PRODUCT DEPTH MM	235
PRODUCT NET WEIGHT KG	16.58
STANDARDS	BS EN 442-1:2015, BS EN 442-2:2015

INLET CONNECTIONS THREAD HEATING	G 1/2"
OUTPUT (WATTS)	475
FUEL TYPE	Central
PIPE CENTRES	420
PROJECTION	235
TUBE	Round
OUTPUT (BTU ΔT=50)	1621
CUBIC CAPACITY (L)	7.2
TEMPERATURE RANGE	Maximum working temperature:95

## TECHNICAL DIMENSIONS

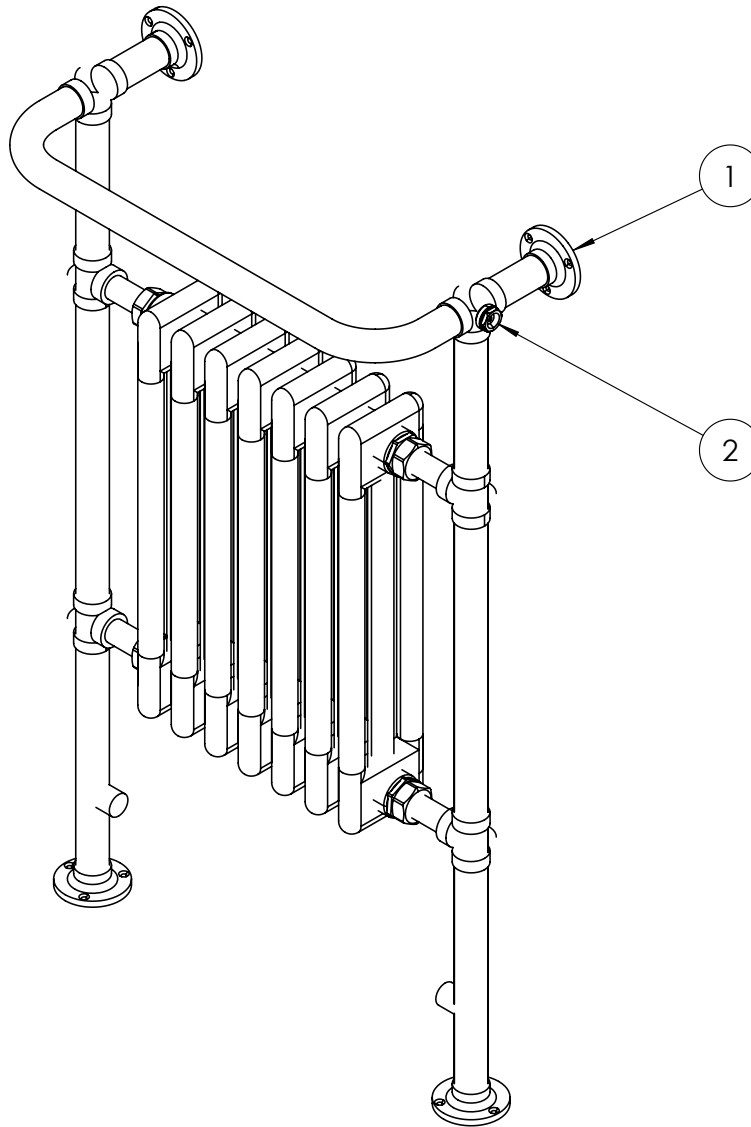
Dimensions in mm unless otherwise specified.

Tolerances (per material type) apply.



**SPARES LIST**

Only the parts labelled are available as spares.



NUMBER	PART CODE	DESCRIPTION
1	SP137GOLD	Brackets Set Gold
	SP137BNKL	Brackets Set Brushed Nickel
2	SP801GOLD	Air Vent Gold Towel Rail
	SP801BNKL	Air Vent Brushed Nickel Towel Rail