

PRODUCT DATA SHEET

Burlington[®]



PRODUCT CODE

GU850TMC

RANGE

Guild

DESCRIPTION

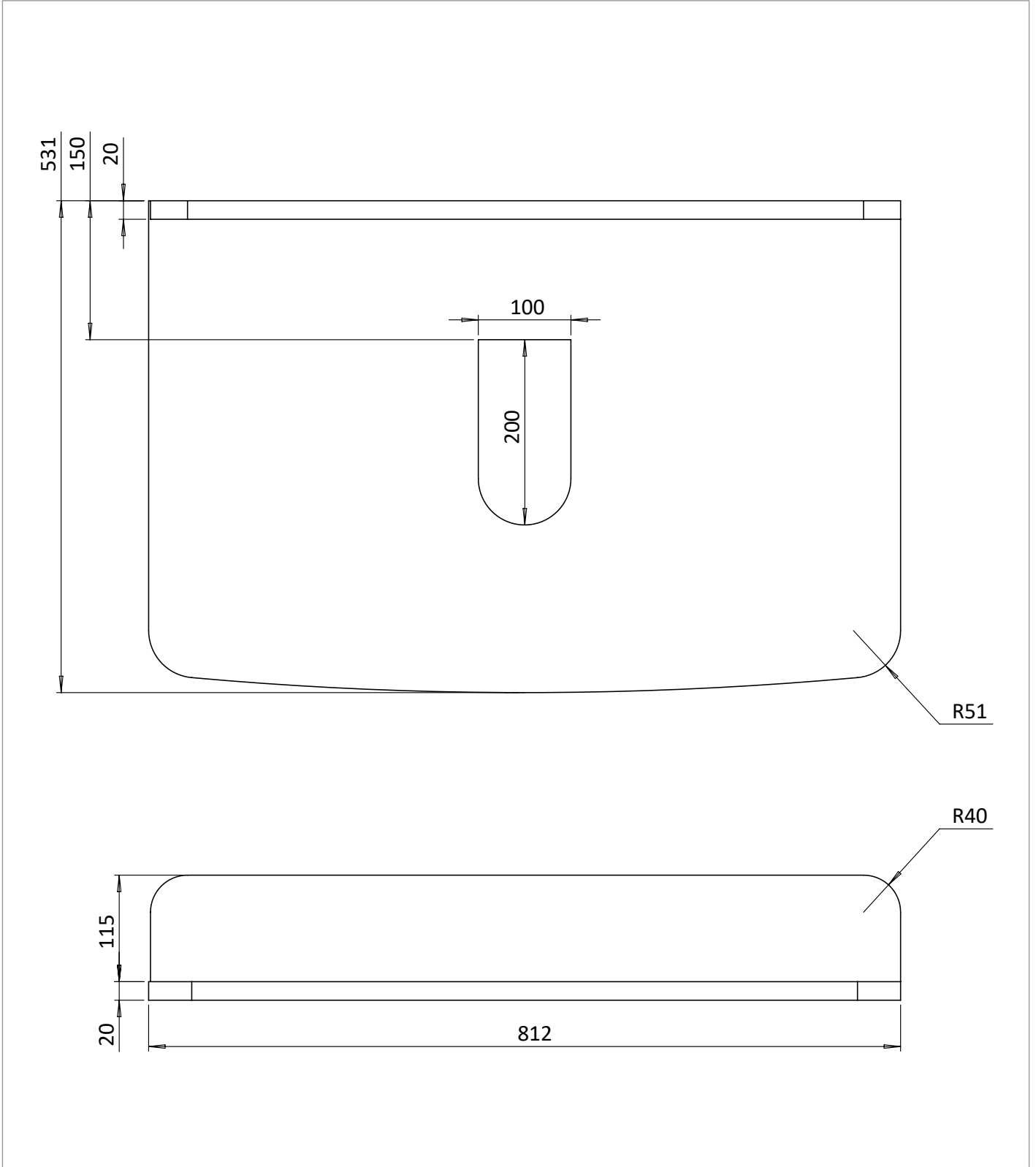
Guild Vanity Top 850mm with Upstand
Cararra

CATEGORY	Furniture
WARRANTY DETAILS	10 Years
COLOUR	Cararra
PRIMARY MATERIAL	Solid Surface
INSTALL TYPE	Furniture Mounted
PRODUCT WIDTH MM	812
PRODUCT HEIGHT MM	20
PRODUCT DEPTH MM	531
PRODUCT NET WEIGHT KG	29
STANDARDS	BS EN 14749:2016+A1:2022

TECHNICAL DIMENSIONS

Dimensions in mm unless otherwise specified.

Tolerances (per material type) apply.



SPARES LIST

Only the parts labelled are available as spares.

NO SPARES AVAILABLE