

PRODUCT DATA SHEET

Burlington[®]



PRODUCT CODE

FC13B

RANGE

Furniture

DESCRIPTION

Freestanding Basin Unit 750 Doors Matt Blue

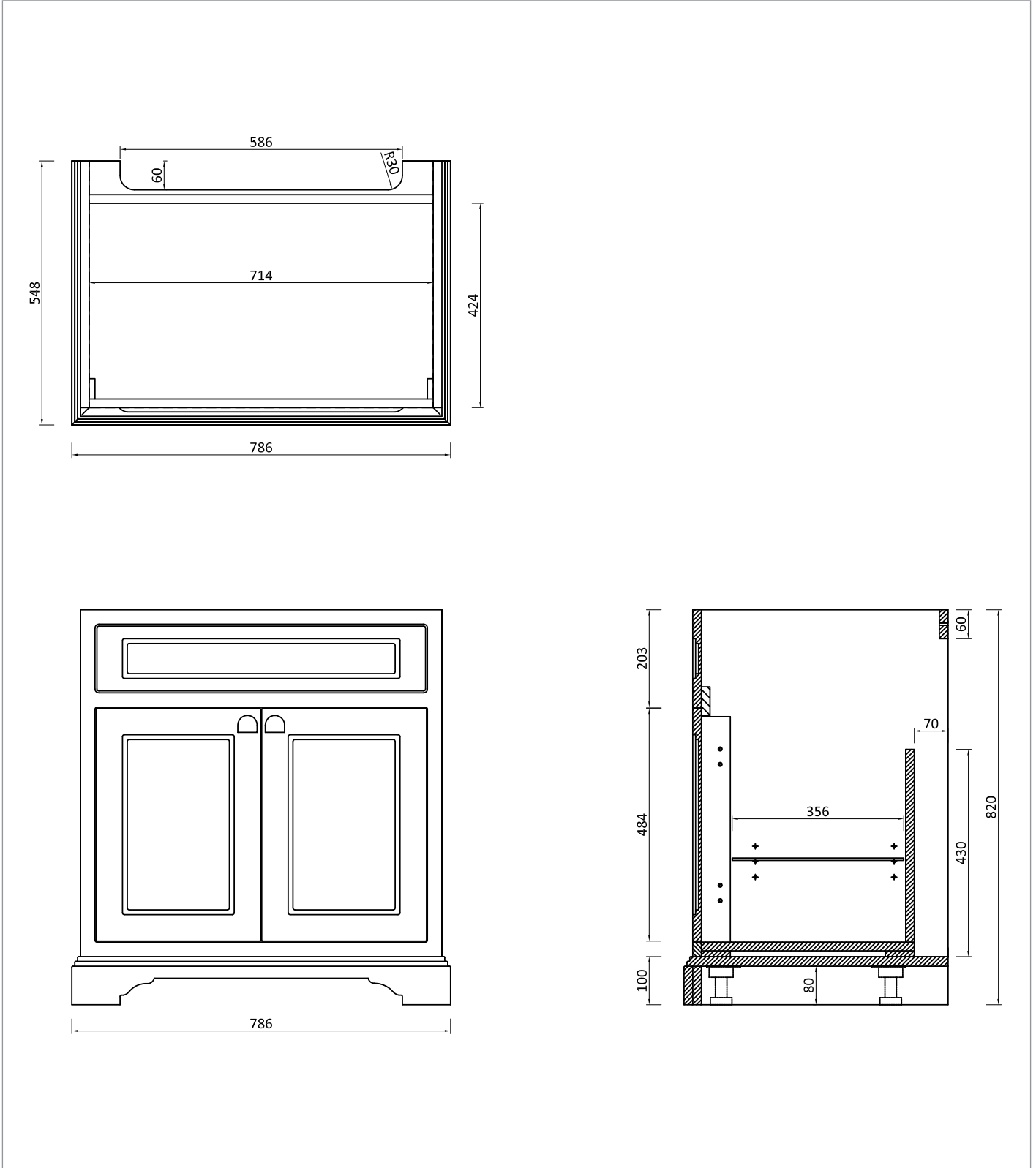
CATEGORY	Furniture
WARRANTY DETAILS	10 Years
COLOUR	Matt Blue
FINISH APPLICATION	Lacquered
PRIMARY MATERIAL	MDF
INSTALL TYPE	Floor Standing
PRODUCT WIDTH MM	786
PRODUCT HEIGHT MM	820
PRODUCT DEPTH MM	548
PRODUCT NET WEIGHT KG	37
STANDARDS	EN14749:2016

DRAWER BOX	MDF
DRAWER RUNNERS	DTC HINGE
DRAWER EXTENSION	FULL EXTENSION
DRAWER ADJUSTMENT	2 way adjustment
WALL HANGERS	YES
ADJUSTABLE FEET	Yes
DRAWER CAPACITY	15KGS
DRAWER OPERATION	Soft close Pull to open

TECHNICAL DIMENSIONS

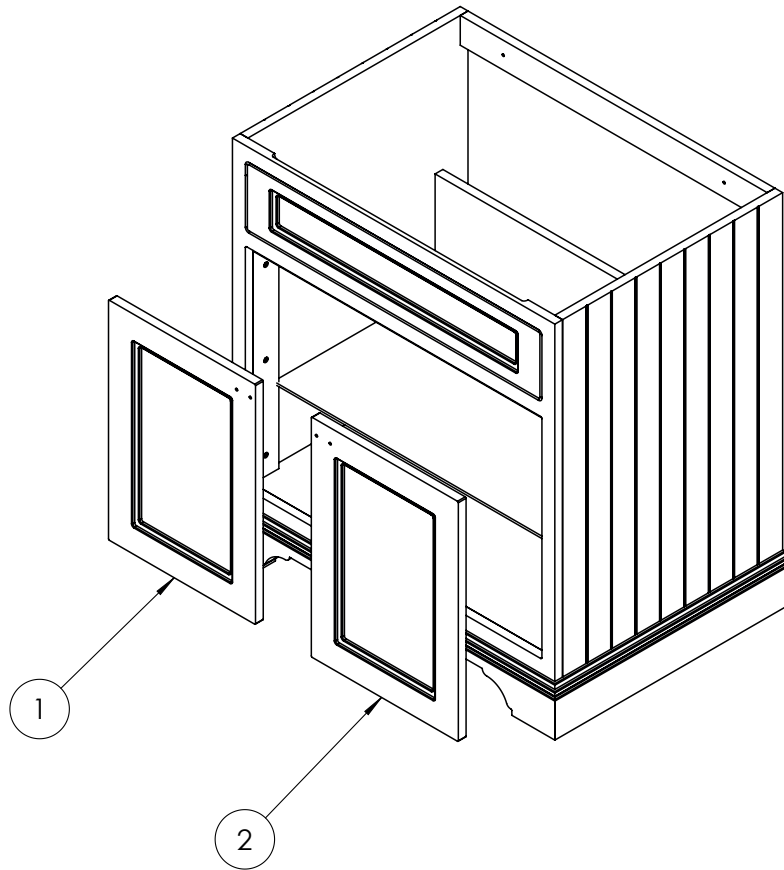
Dimensions in mm unless otherwise specified.

Tolerances (per material type) apply.



SPARES LIST

Only the parts labelled are available as spares.



NUMBER	PART CODE	DESCRIPTION
1	SP1749-W-LH	Burlington Door LH for FC13W
	SP1749-B-LH	Burlington Door LH for FC13B
	SP1749-MG-LH	Burlington Door LH for FC13MG
	SP1749-G-LH	Burlington Door LH for FC13G
2	SP1749-W-RH	Burlington Door RH for FC13W
	SP1749-B-RH	Burlington Door RH for FC13B
	SP1749-MG-RH	Burlington Door RH for FC13MG
	SP1749-G-RH	Burlington Door RH for FC13G