

PRODUCT DATA SHEET

Burlington[®]



PRODUCT CODE

GU0621SCW

RANGE

Guild

DESCRIPTION

Guild Basin 620mm 1TH White

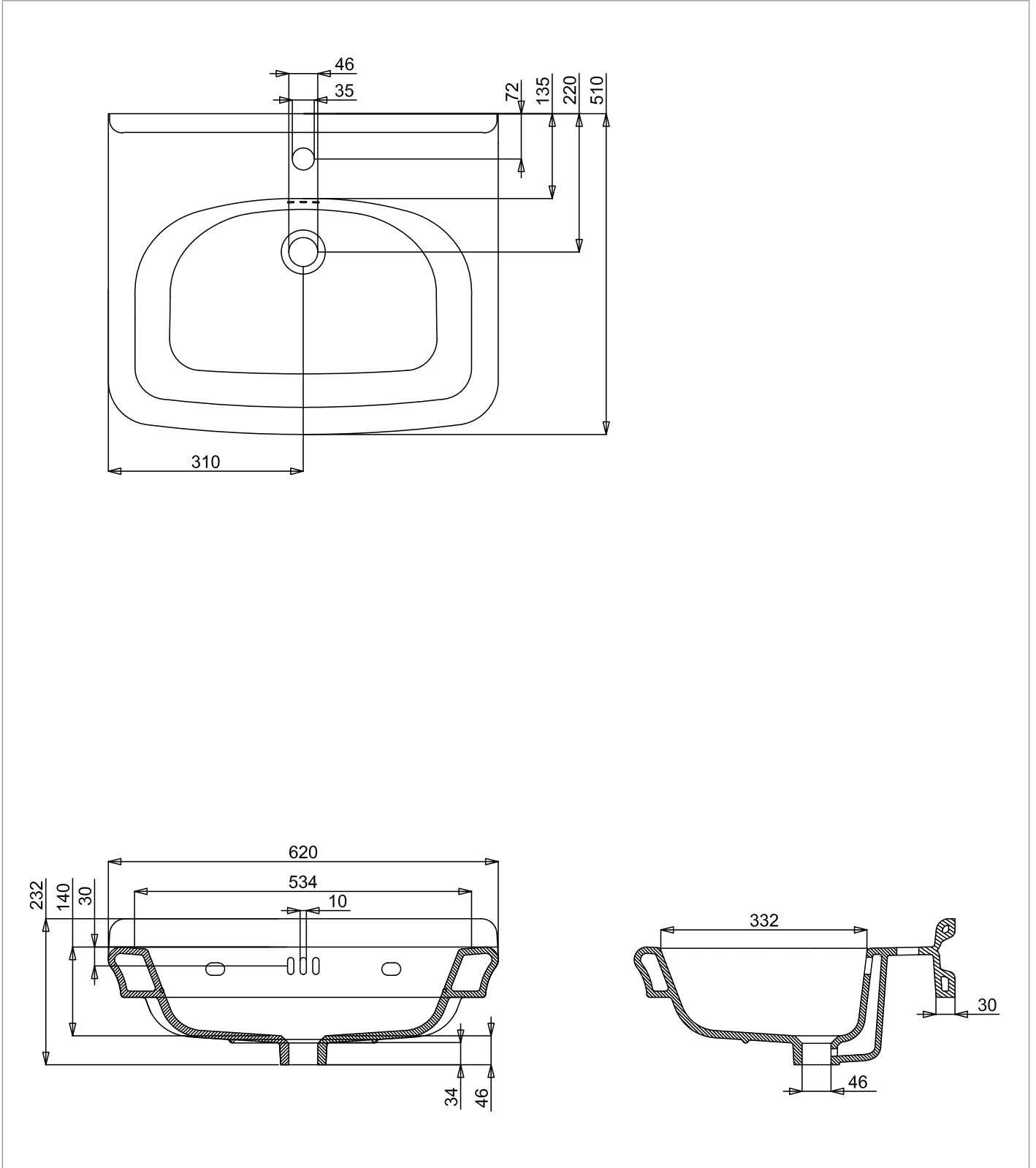
CATEGORY	Sanitaryware
WARRANTY DETAILS	Lifetime
COLOUR	Gloss White
FINISH APPLICATION	Glazed
PRIMARY MATERIAL	Fine Fire Clay
INSTALL TYPE	Wall Mounted
PRODUCT WIDTH MM	620
PRODUCT HEIGHT MM	232
PRODUCT DEPTH MM	510
PRODUCT NET WEIGHT KG	16.7
STANDARDS	EN 31:2011, EN 14688:2015

TAP HOLES	1TH
FIXINGS INCLUDED	No
OVERFLOW	Yes
BASIN WASTE SIZE	45mm

TECHNICAL DIMENSIONS

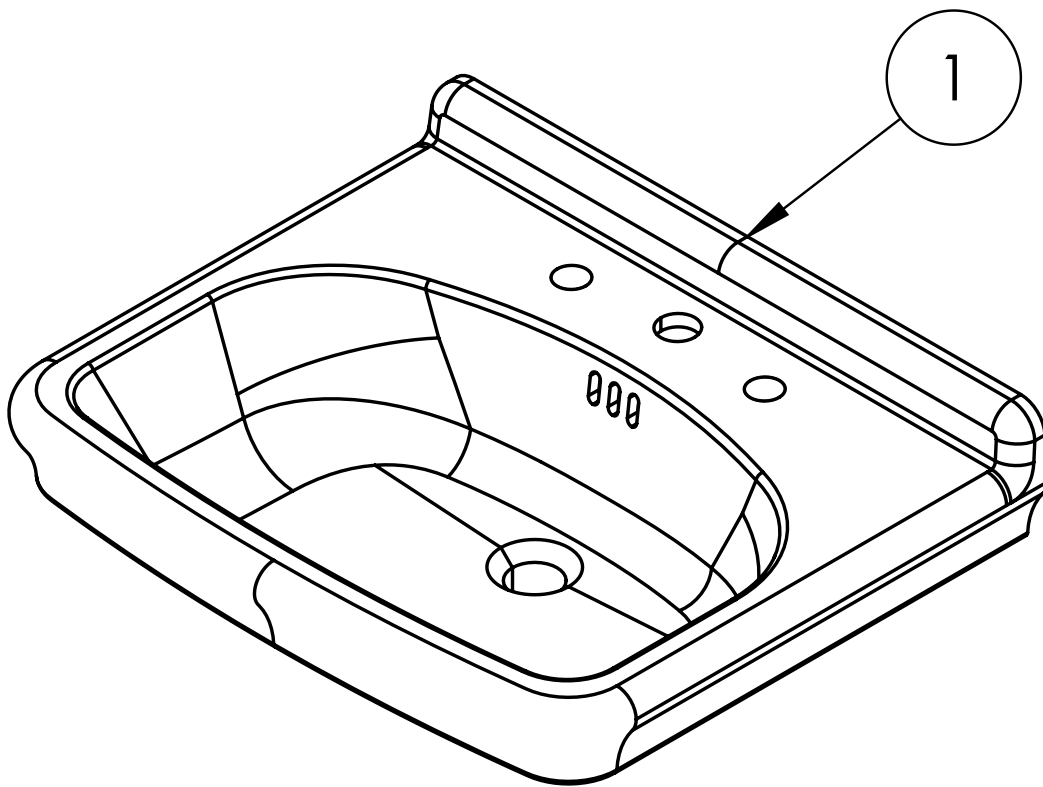
Dimensions in mm unless otherwise specified.

Tolerances (per material type) apply.



SPARES LIST

Only the parts labelled are available as spares.



NUMBER	PART CODE	DESCRIPTION
1	SP1714	Basin fixings Burlington/ Britton basins