

PRODUCT DATA SHEET

Burlington[®]



PRODUCT CODE

GU011C

RANGE

Guild

DESCRIPTION

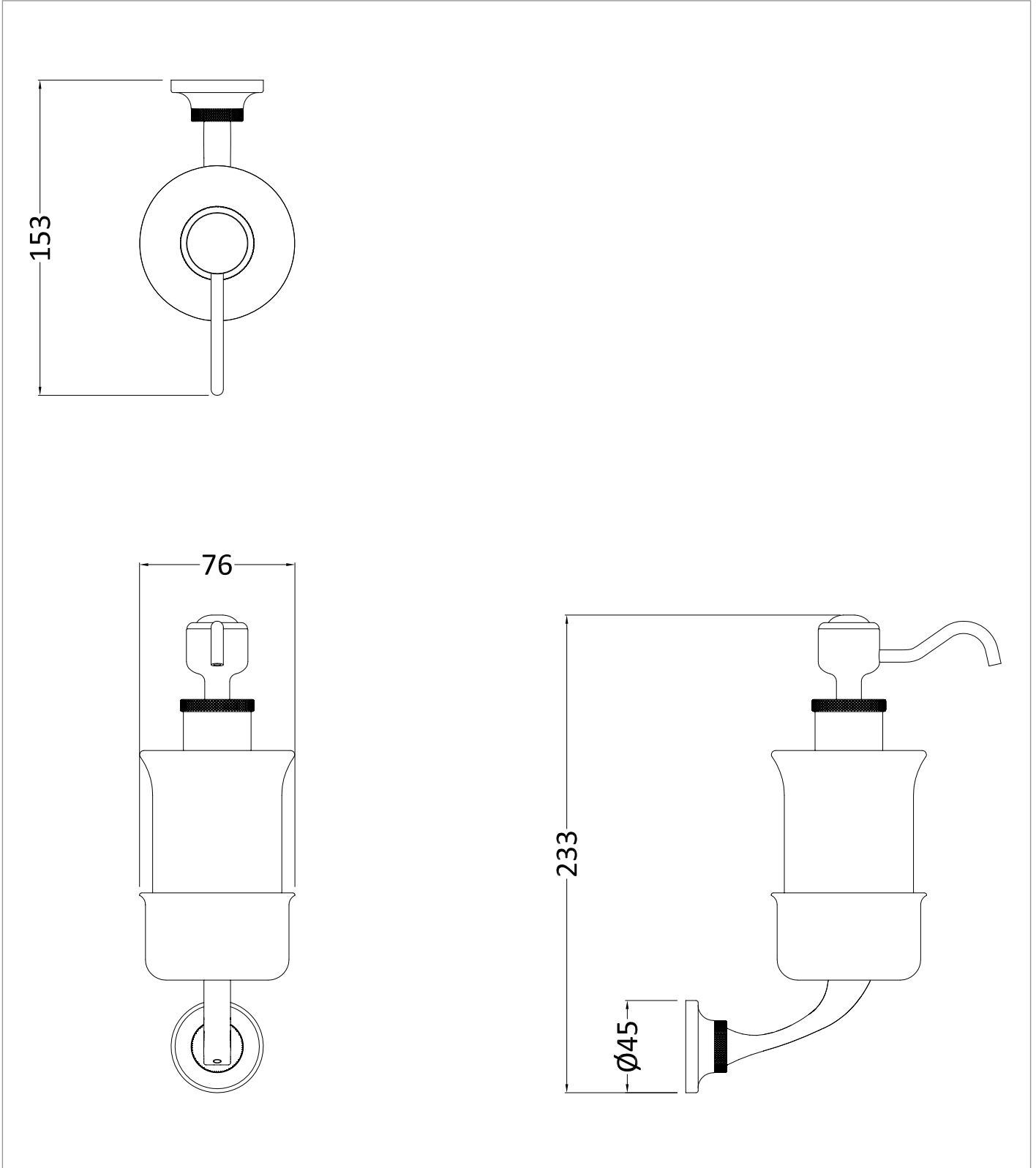
Guild Soap Dispenser Chrome

CATEGORY	Accessories
WARRANTY DETAILS	15 Years
COLOUR	Chrome
FINISH APPLICATION	Electroplated
PRIMARY MATERIAL	Brass
SECONDARY MATERIAL	Zamac
INSTALL TYPE	Wall Mounted
PRODUCT WIDTH MM	76
PRODUCT HEIGHT MM	233
PRODUCT DEPTH MM	153
PRODUCT NET WEIGHT KG	0.79

TECHNICAL DIMENSIONS

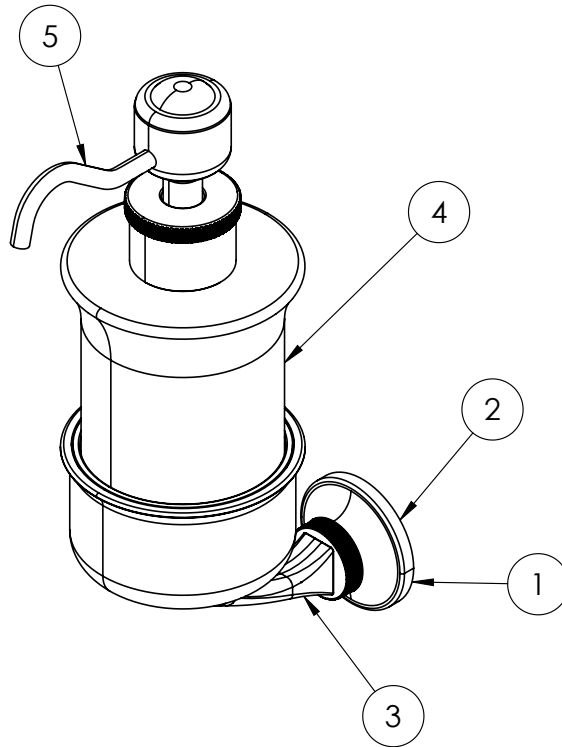
Dimensions in mm unless otherwise specified.

Tolerances (per material type) apply.



SPARES LIST

Only the parts labelled are available as spares.



NUMBER	PART CODE	DESCRIPTION
1	SP1813	Guild Screw Bag For GU003, GU005, GU011, GU013, GU021 And GU025
2	SP1815	Guild Wall Mounting Plate For Accessories
3	SP1816	Guild Grub Screws For Accessories
4	SP1820	Guild ceramic Bottle For GU011 Excluding Spray Head
5	SP1826	Guild Spray Head For Soap Dispenser GU011L
	SP1827	Guild Spray Head For Soap Dispenser GU011G
	SP1825	Guild Spray Head For Soap Dispenser GU011C