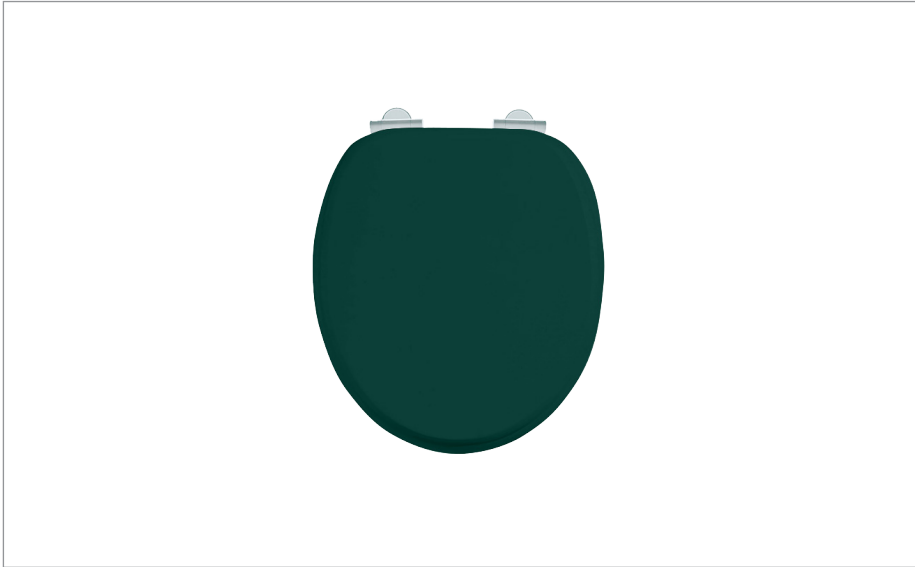


# PRODUCT DATA SHEET

*Burlington*<sup>®</sup>



## PRODUCT CODE

S102

## RANGE

Victorian

## DESCRIPTION

Soft Close Toilet Seat Matt Green

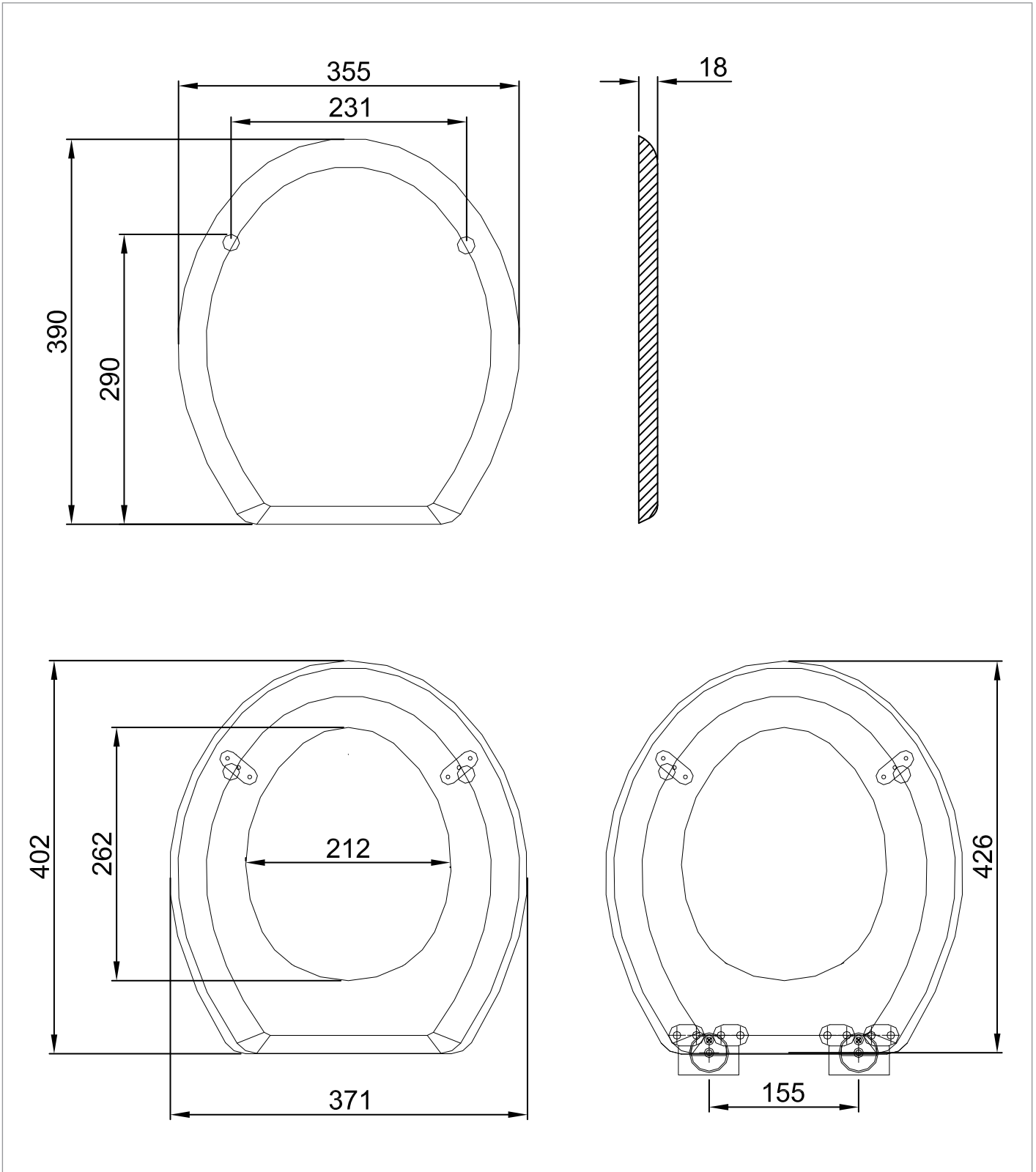
CATEGORY	Sanitaryware
WARRANTY DETAILS	2 Years
COLOUR	Matt Green
FINISH APPLICATION	Lacquered
PRIMARY MATERIAL	MDF
INSTALL TYPE	Toilet Mounted
PRODUCT WIDTH MM	371
PRODUCT HEIGHT MM	67
PRODUCT LENGTH MM	432
PRODUCT NET WEIGHT KG	2.8

FIXINGS INCLUDED	Yes
FIXING TYPE	Bottom fixing

## TECHNICAL DIMENSIONS

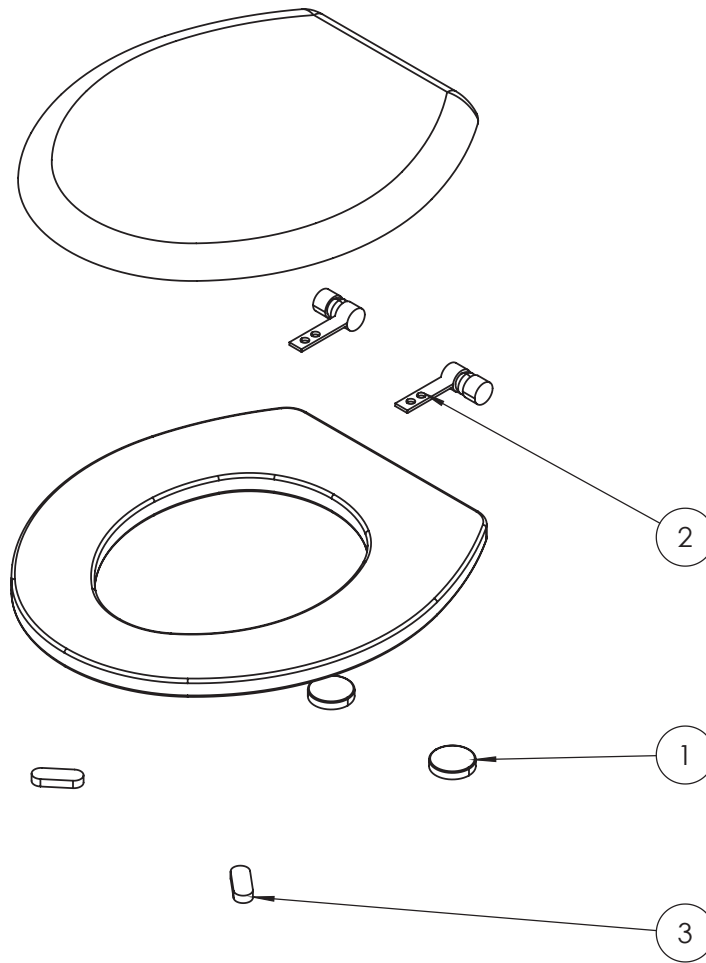
Dimensions in mm unless otherwise specified.

Tolerances (per material type) apply.



**SPARES LIST**

Only the parts labelled are available as spares.



NUMBER	PART CODE	DESCRIPTION
1	SP192	Hinge Fixings for S11S12S16 S17
2	SP462	Chrome Soft Close Hinge for S16 & S17
3	SP866	Grey Buffers for Seat Ring & Lid for S43