

# PRODUCT DATA SHEET

*Burlington*<sup>®</sup>



## PRODUCT CODE

GU6500DLOK\_FS

## RANGE

Guild

## DESCRIPTION

Guild Floor Standing Vanity 620mm  
Light Oak

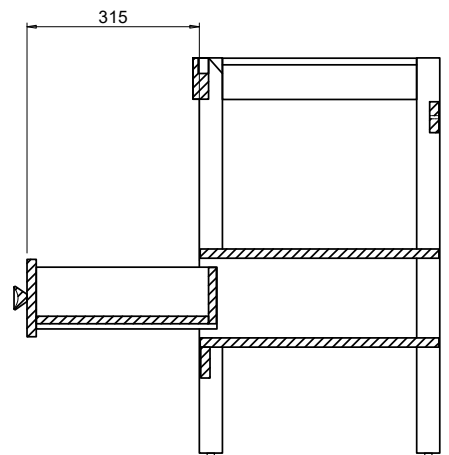
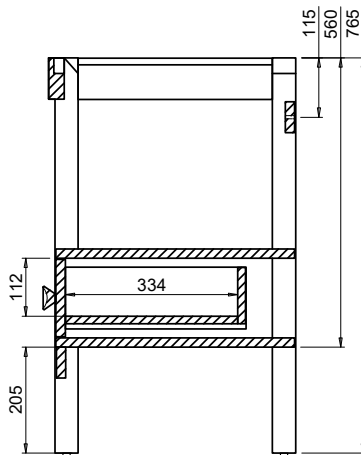
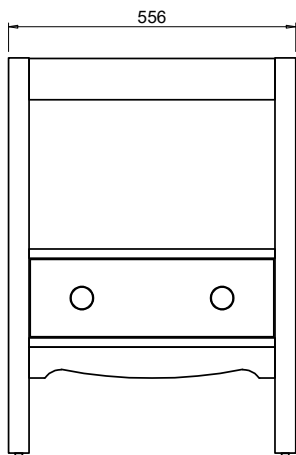
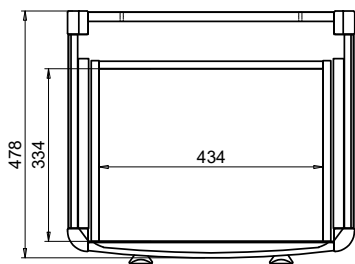
CATEGORY	Furniture
WARRANTY DETAILS	10 Years
COLOUR	Light Oak
FINISH APPLICATION	Veneer
PRIMARY MATERIAL	MDF
SECONDARY MATERIAL	Wood
INSTALL TYPE	Floor Standing
PRODUCT WIDTH MM	556
PRODUCT HEIGHT MM	765
PRODUCT DEPTH MM	478
PRODUCT NET WEIGHT KG	48
STANDARDS	BS EN 14749:2016+A1:2022

DRAWER BOX	MDF
DRAWER RUNNERS	EMUCA - 3120305
DRAWER EXTENSION	Full Extension
DRAWER ADJUSTMENT	2 way adjustment
WALL HANGERS	Yes
ADJUSTABLE FEET	Yes
DRAWER CAPACITY	15 kgs
DRAWER OPERATION	Soft Close

## TECHNICAL DIMENSIONS

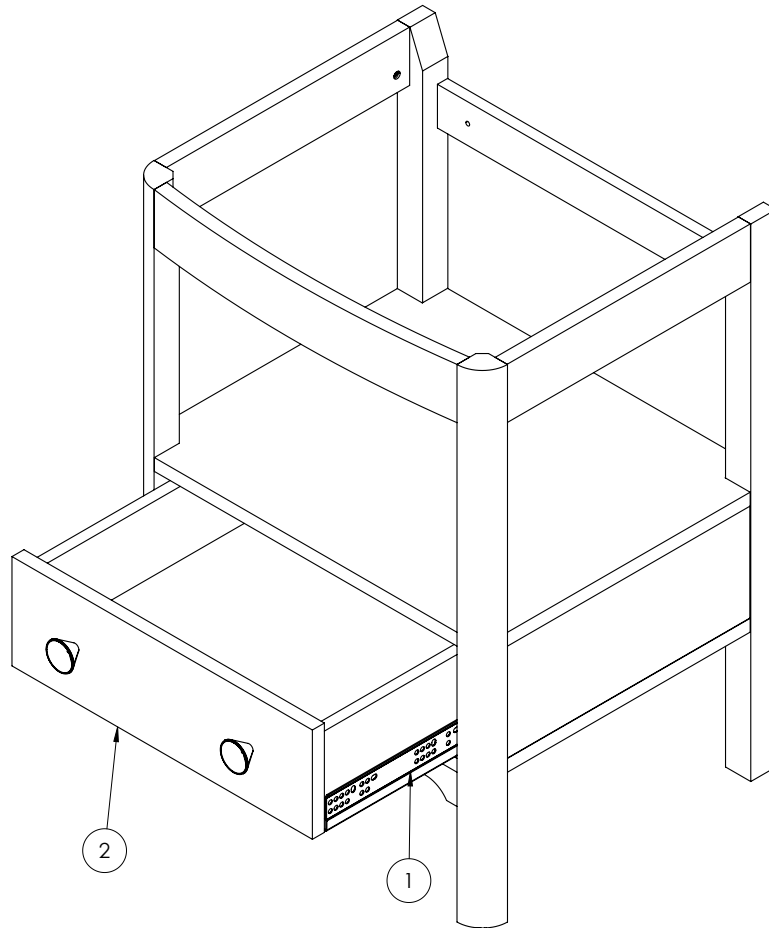
Dimensions in mm unless otherwise specified.

Tolerances (per material type) apply.



**SPARES LIST**

Only the parts labelled are available as spares.



NUMBER	PART CODE	DESCRIPTION
1	RUNNERSGUILD	Guild runners x 1 KIT Left & Right
2	DF_GUI650DLOK	Guild Drawer front only for GU6500DLOK_FS
	DF_GUI650DDOK	Guild Drawer front only for GU6500DDOK_FS