

PRODUCT DATA SHEET

Burlington[®]



PRODUCT CODE

A40 BNKL

RANGE

Mirror

DESCRIPTION

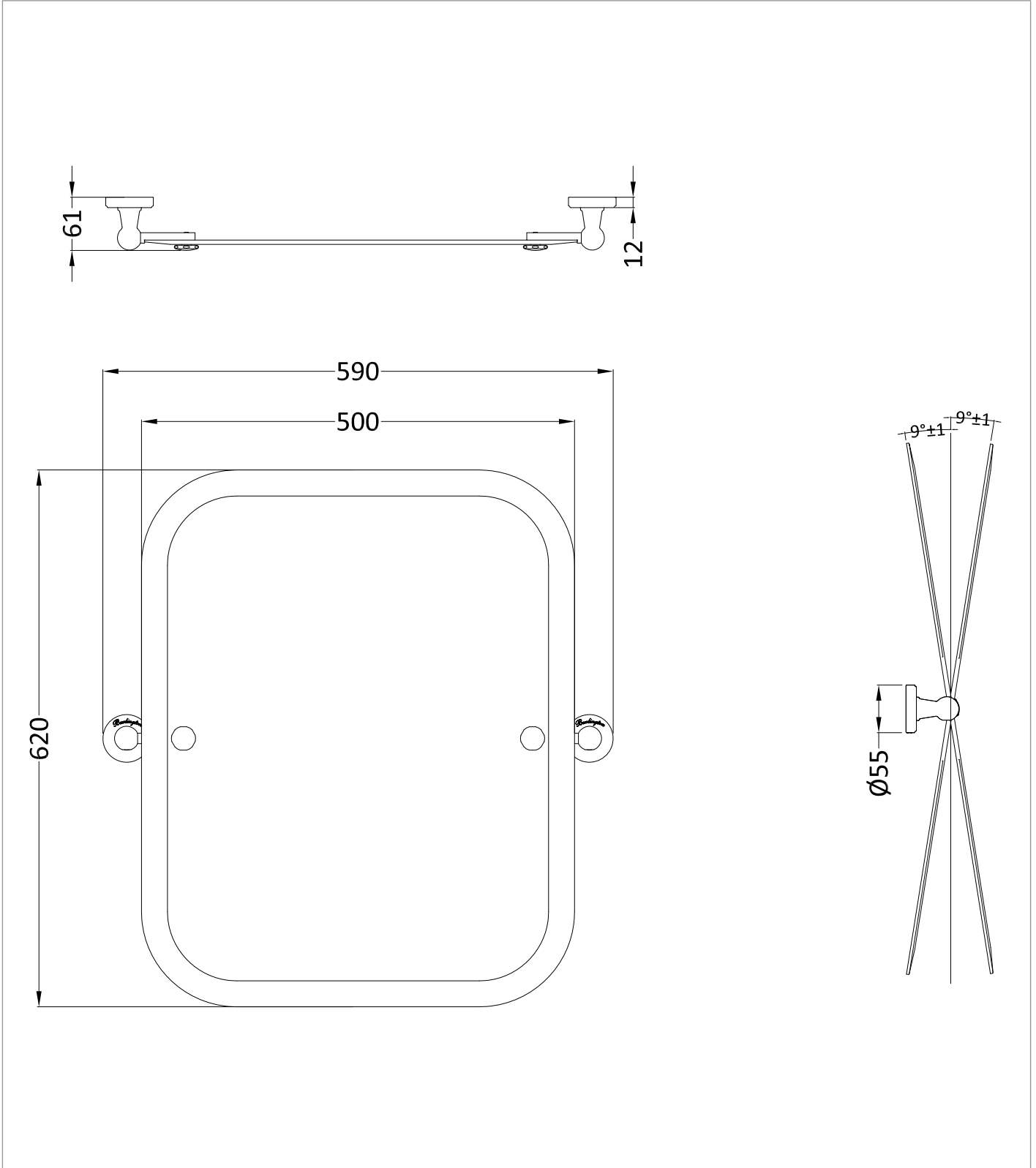
Rectangular Swivel Mirror Brushed Nickel

CATEGORY	Cabinets & Mirrors
WARRANTY DETAILS	5 Years
COLOUR	Brushed Nickel
FINISH APPLICATION	Electroplated
PRIMARY MATERIAL	Glass
INSTALL TYPE	Wall Mounted
PRODUCT WIDTH MM	590
PRODUCT HEIGHT MM	620
PRODUCT DEPTH MM	61
PRODUCT NET WEIGHT KG	4.7

TECHNICAL DIMENSIONS

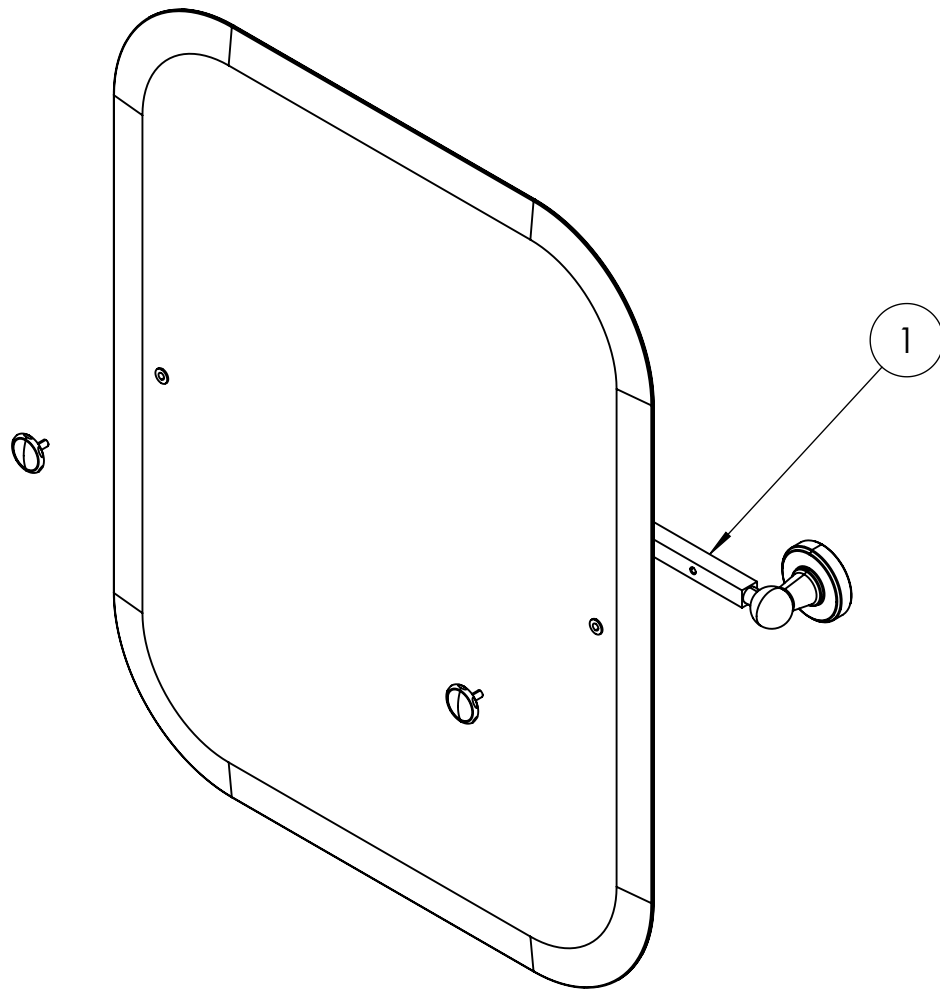
Dimensions in mm unless otherwise specified.

Tolerances (per material type) apply.



SPARES LIST

Only the parts labelled are available as spares.



NUMBER	PART CODE	DESCRIPTION
1	SP1374BNKL	Fixing Kit For Glass Panel for A40 BNKL
	SP1770GOLD	Fixing Kit For Glass Panel for A40 GOLD