

PRODUCT DATA SHEET

Burlington[®]



PRODUCT CODE

R2 BNKL

RANGE

Heating

DESCRIPTION

Bloomsbury Brushed Nickel/White
Towel Warmer

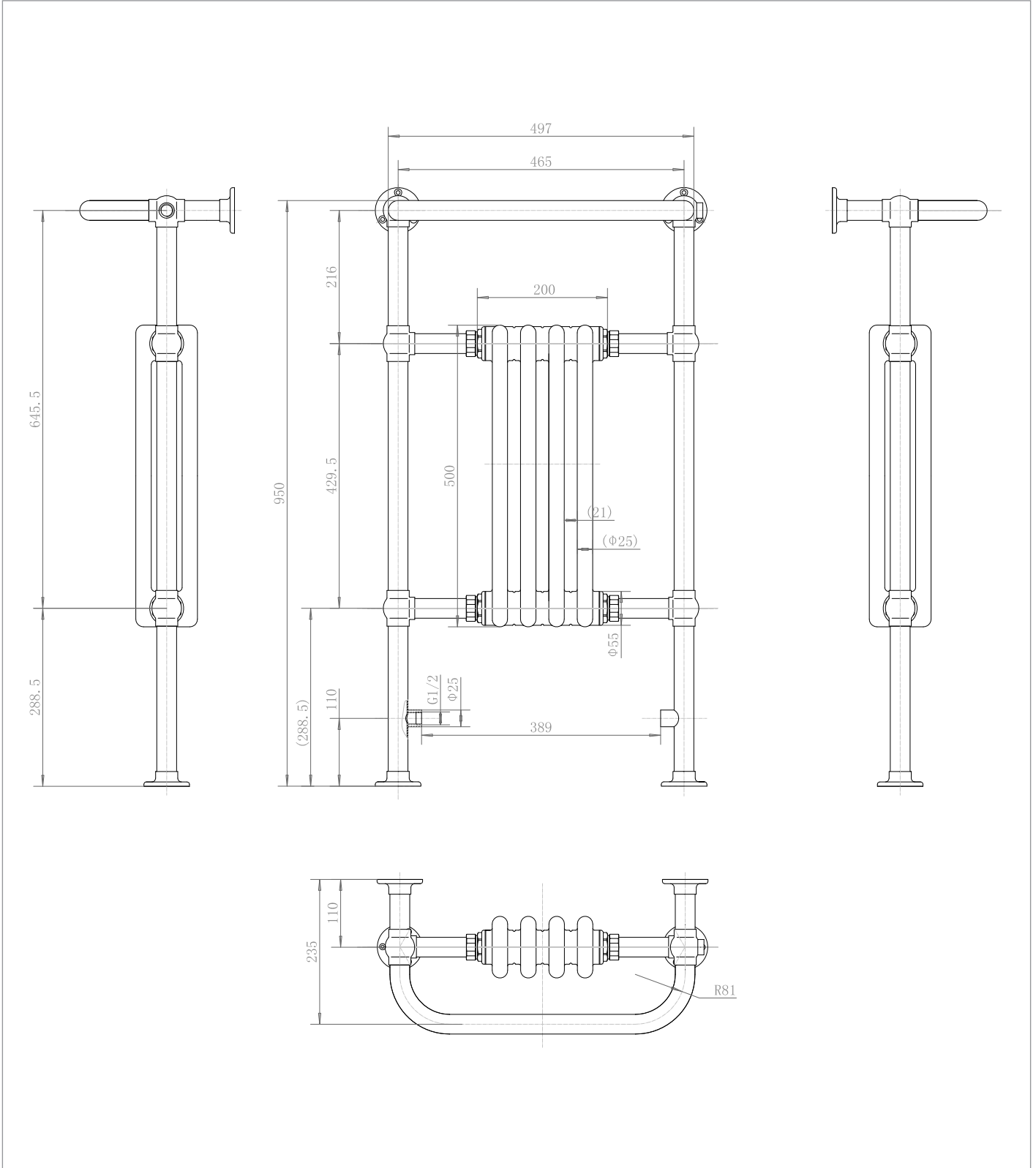
CATEGORY	Heating
WARRANTY DETAILS	5 Years
COLOUR	Brushed Nickel
FINISH APPLICATION	PVD
PRIMARY MATERIAL	Steel
INSTALL TYPE	Floor Standing
PRODUCT WIDTH MM	497
PRODUCT HEIGHT MM	950
PRODUCT DEPTH MM	235
PRODUCT NET WEIGHT KG	14.25
STANDARDS	BS EN 442-1:2015, BS EN 442-2:2015

INLET CONNECTIONS THREAD HEATING	G 1/2"
OUTPUT (WATTS)	356
FUEL TYPE	Central
PIPE CENTRES	320
PROJECTION	235
TUBE	Round
BAR COUNT	1
OUTPUT (BTU ΔT=50)	1215
CUBIC CAPACITY (L)	5
TEMPERATURE RANGE	Maximum working temperature:95

TECHNICAL DIMENSIONS

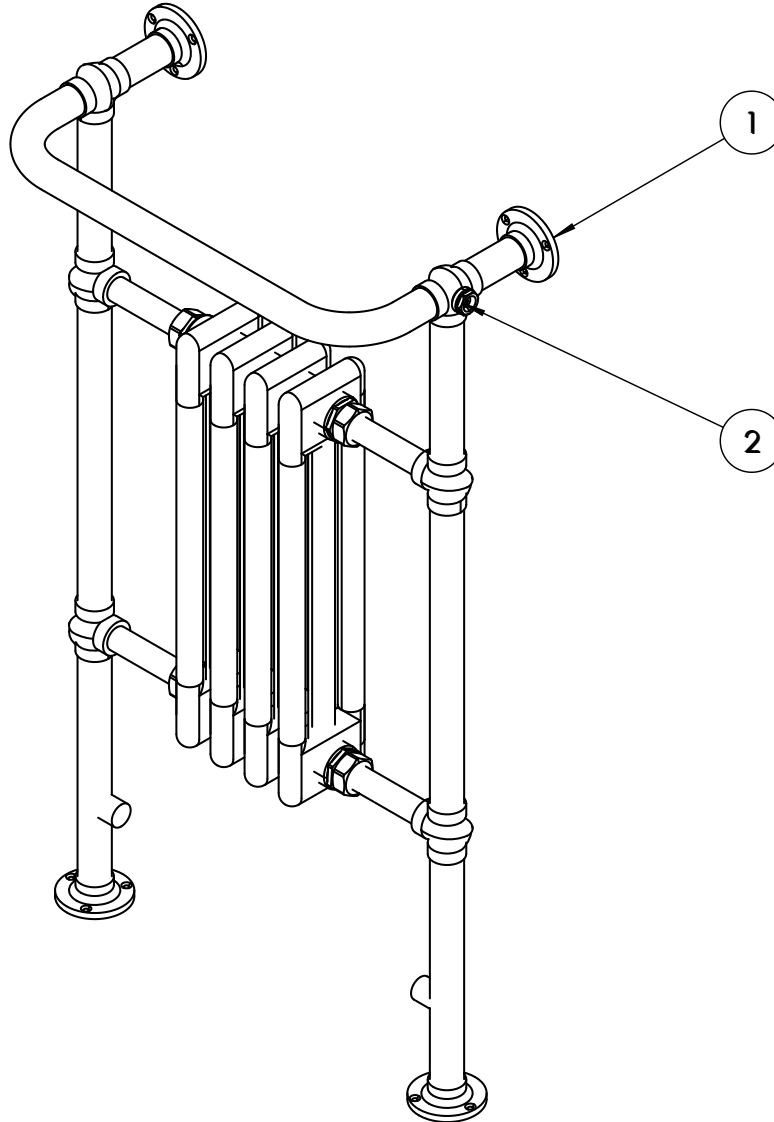
Dimensions in mm unless otherwise specified.

Tolerances (per material type) apply.



SPARES LIST

Only the parts labelled are available as spares.



NUMBER	PART CODE	DESCRIPTION
1	SP137BNKL	Complete set of brackets/fixings for R1 BNKL, R2 BNKL, R4 BNKL
2	SP801BNKL	Air valve for R1 BNKL, R2 BNKL, R3 BNKL, R4 BNKL