

# PRODUCT DATA SHEET

*Burlington*<sup>®</sup>



## PRODUCT CODE

MI18501L

## RANGE

Burlington

## DESCRIPTION

Mirror 1850 Fixing One Pair Brushed Nickel

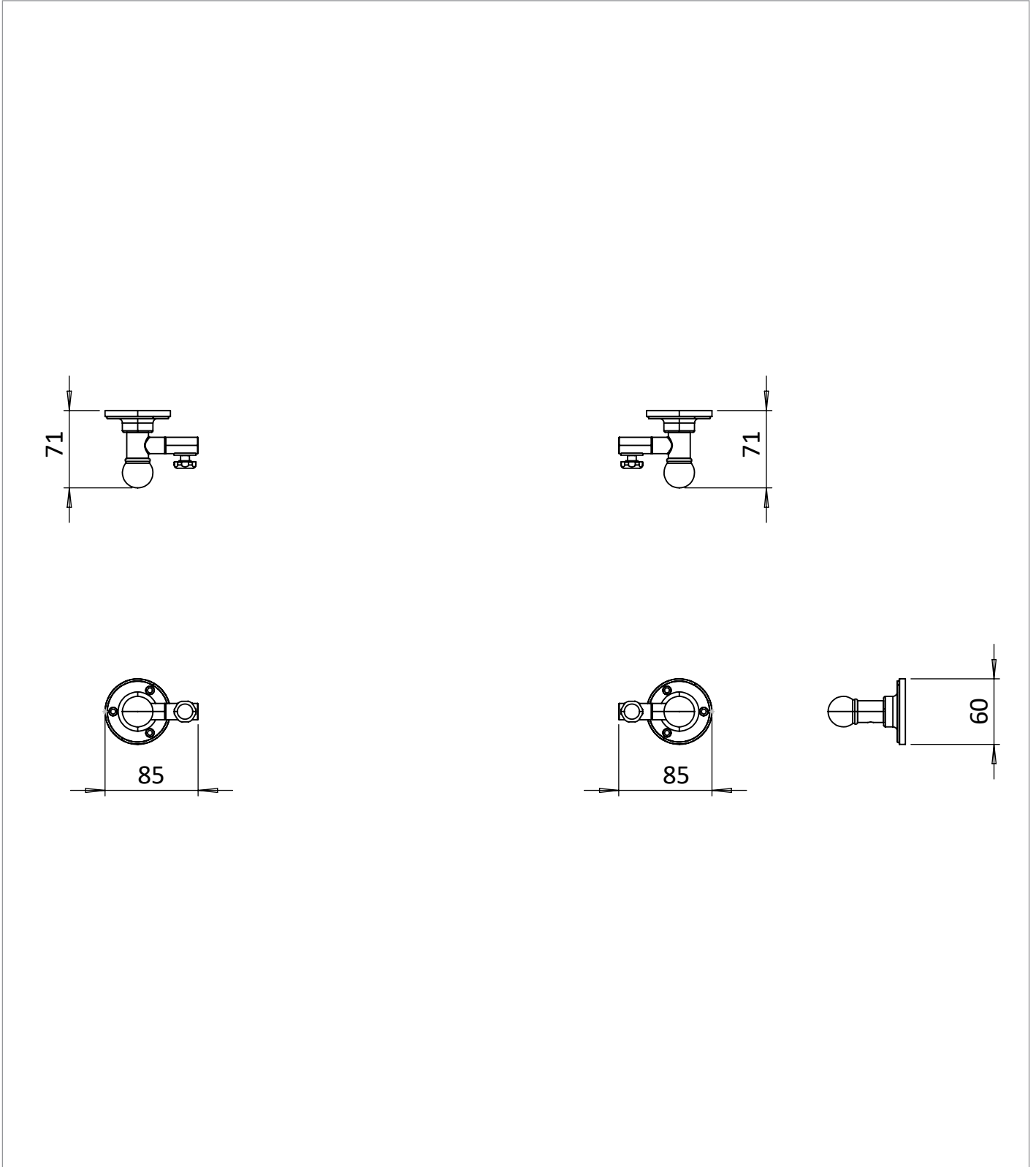
CATEGORY	Cabinets & Mirrors
WARRANTY DETAILS	2 Years
COLOUR	Brushed Nickel
FINISH APPLICATION	PVD
PRIMARY MATERIAL	Brass
SECONDARY MATERIAL	304 Stainless Steel
INSTALL TYPE	Wall Mounted
PRODUCT WIDTH MM	85
PRODUCT HEIGHT MM	60
PRODUCT LENGTH MM	71
PRODUCT NET WEIGHT KG	0.74
STANDARDS	ISO 9001

HANDING MIRROR & CABINETS	Universal
TEMPERATURE CHANGING	No
SHELVES ADJUSTABLE	No
SHAVER SOCKET INCLUDED	No
DIMMABLE	No

## TECHNICAL DIMENSIONS

Dimensions in mm unless otherwise specified.

Tolerances (per material type) apply.



## SPARES LIST

Only the parts labelled are available as spares.

SPARES AVAILABLE UPON REQUEST