

PRODUCT DATA SHEET

Burlington[®]



PRODUCT CODE

BUDEFHINGEC

RANGE

Showering

DESCRIPTION

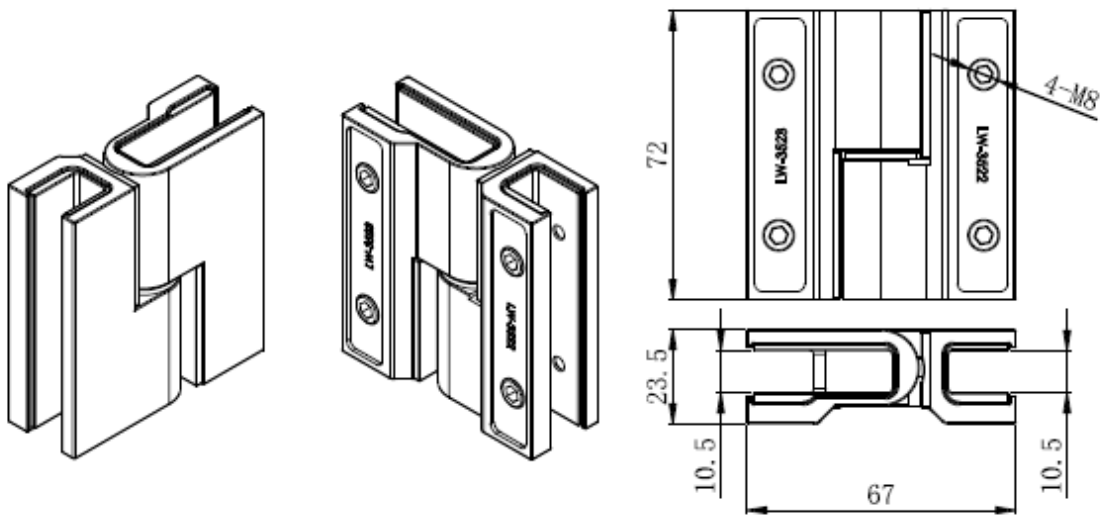
Burlington Deflector Panel Hinge x2
Polished Stainless Steel

CATEGORY	Showering
WARRANTY DETAILS	2 Years
COLOUR	Polished Stainless Steel
FINISH APPLICATION	PVD
PRIMARY MATERIAL	304 Stainless Steel
PRODUCT WIDTH MM	110
PRODUCT HEIGHT MM	70
PRODUCT LENGTH MM	110
PRODUCT NET WEIGHT KG	0.95
STANDARDS	EN14428

TECHNICAL DIMENSIONS

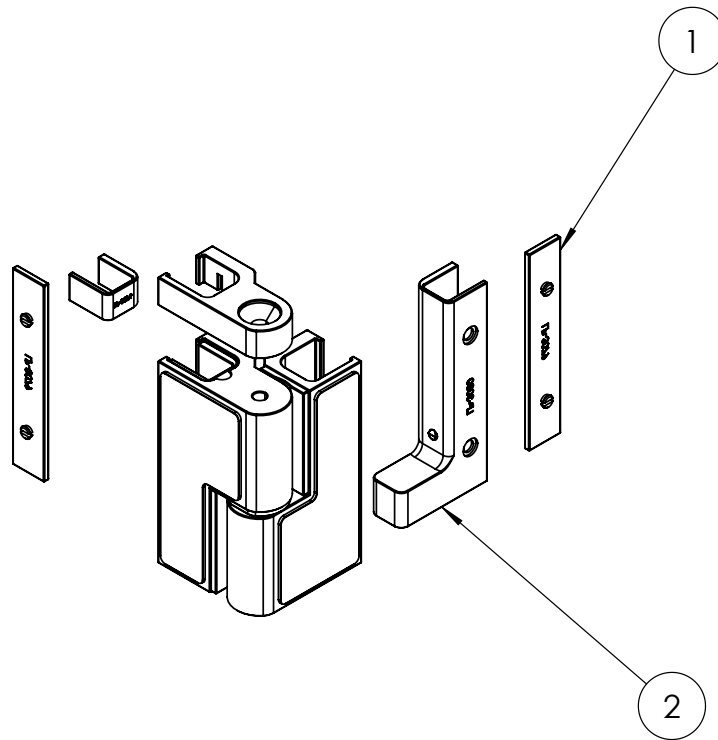
Dimensions in mm unless otherwise specified.

Tolerances (per material type) apply.



SPARES LIST

Only the parts labelled are available as spares.



NUMBER	PART CODE	DESCRIPTION
1	GR000009	Gallery Deflector Panel Seals x4
2	SP1763	Deflector Hinge Gasket, Screw, Cover, Hinge Seat Brushed Nickel
	SP1762	Deflector Hinge Gasket, Screw, Cover, Hinge Seat Gold
	SP1761	Deflector Hinge Gasket, Screw, Cover, Hinge Seat Polished Stainless Steel