

# PRODUCT DATA SHEET

*Burlington*<sup>®</sup>



## PRODUCT CODE

GU8500DCG\_FS

## RANGE

Guild

## DESCRIPTION

Guild Floor Standing Vanity 850mm  
Carlyle Green c/w handles

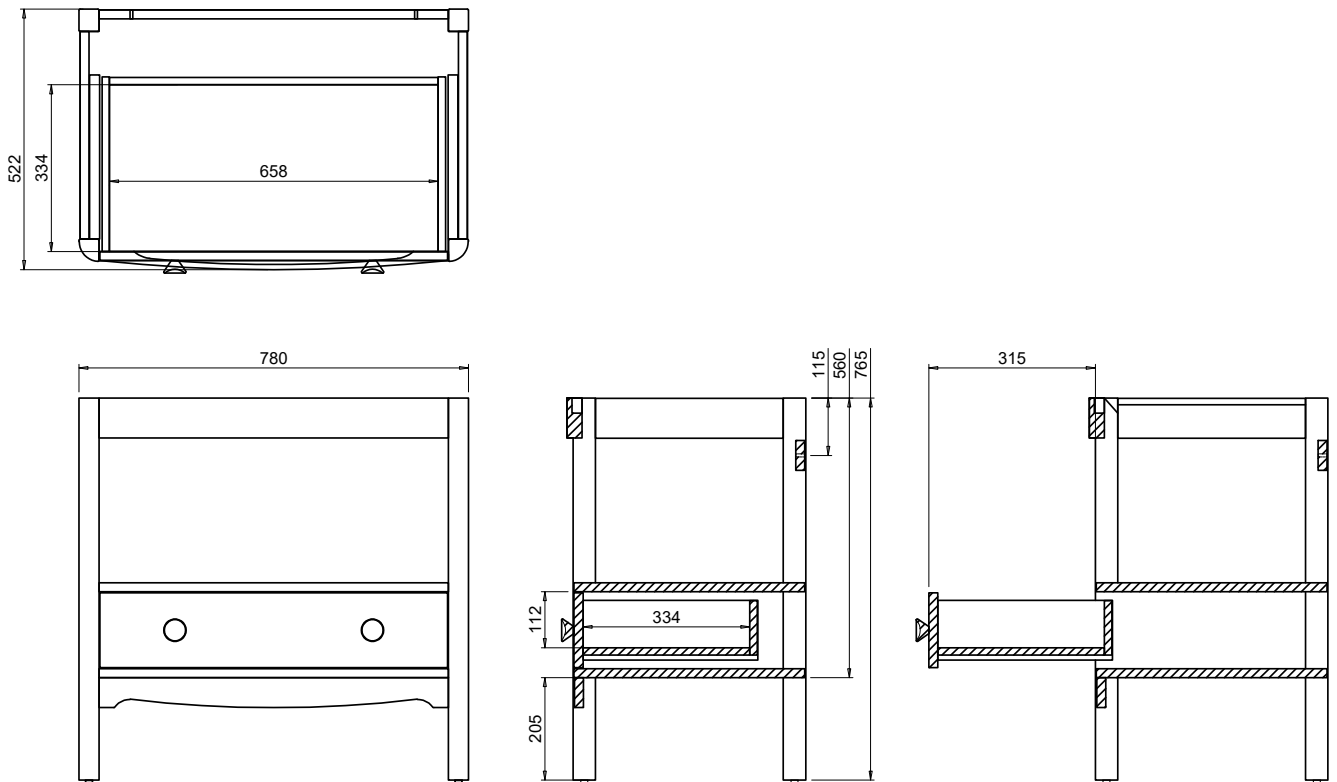
CATEGORY	Furniture
WARRANTY DETAILS	10 Years
COLOUR	Carlyle Green
FINISH APPLICATION	Lacquered
PRIMARY MATERIAL	MDF
INSTALL TYPE	Floor Standing
PRODUCT WIDTH MM	780
PRODUCT HEIGHT MM	765
PRODUCT DEPTH MM	522
PRODUCT NET WEIGHT KG	31.5
STANDARDS	EN14749:2016

COLOUR CODE / REFERENCE	NCS S6020-G70Y
DRAWER BOX	MDF
DRAWER RUNNERS	DTC / SS10C350H1
DRAWER EXTENSION	Full extension
DRAWER ADJUSTMENT	2 way adjustment
WALL HANGERS	No
ADJUSTABLE FEET	Yes
DRAWER CAPACITY	15 kgs
DRAWER OPERATION	Soft close

## TECHNICAL DIMENSIONS

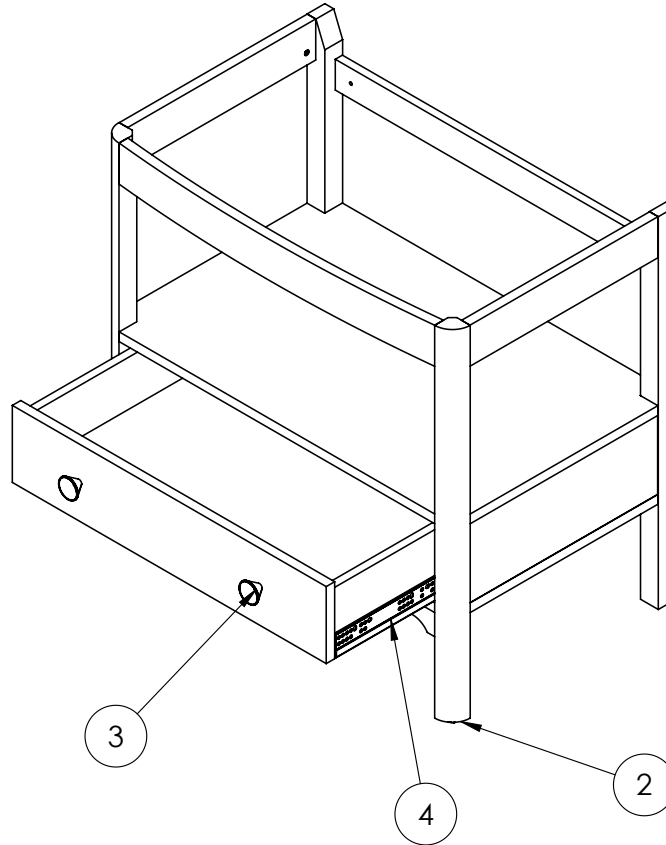
Dimensions in mm unless otherwise specified.

Tolerances (per material type) apply.



## SPARES LIST

Only the parts labelled are available as spares.



NUMBER	PART CODE	DESCRIPTION
1	SP1785	Guild Fixing pack for floor standing vanity GU5600D,GU6500D,GU8500D
2	SP1788	Guild Bottom feet for floor standing vanity GU5600D,GU6500D,GU8500D
3	SP1789	Guild Handle pair for floor standing vanity GU5600D,GU6500D,GU8500D Varley White DN45mm
	SP1790	Guild Handle pair for floor standing vanity GU5600D,GU6500D,GU8500D Carlyle Green DN45mm
	SP1791	Guild Handle pair for floor standing vanity GU5600D,GU6500D,GU8500D Ashbee Grey DN45mm
4	RUNNERSGUILD	Guild runners x 1 KIT Left & Right