

INSTALLATION INSTRUCTIONS

Spout fitting - V32

Important

- Please check this product immediately to ensure that it has not been damaged and is complete. Before installation, please make sure this product is the correct model and you have all the parts required for installation and using.
- Please review these instructions carefully and keep it for future reference.
- Please do not remove the grub screw, as the ball bearings will fall out and you will not be able to replace them.

Installation

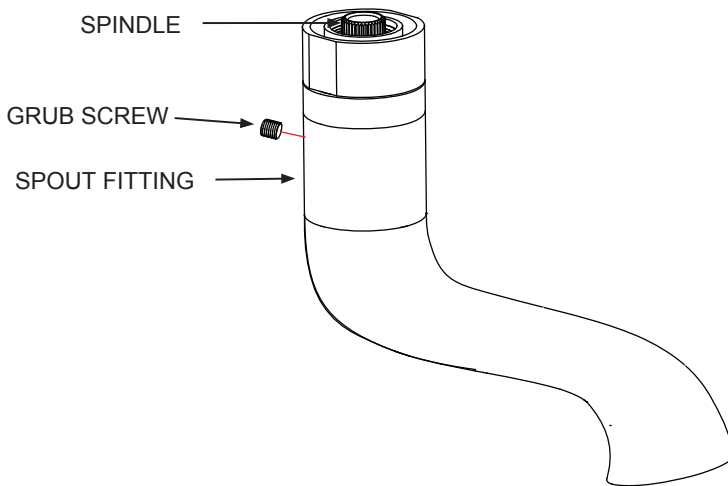
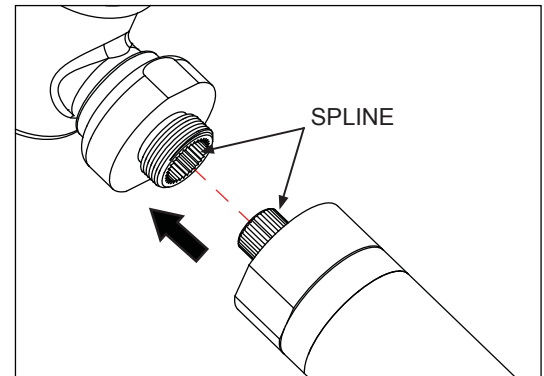
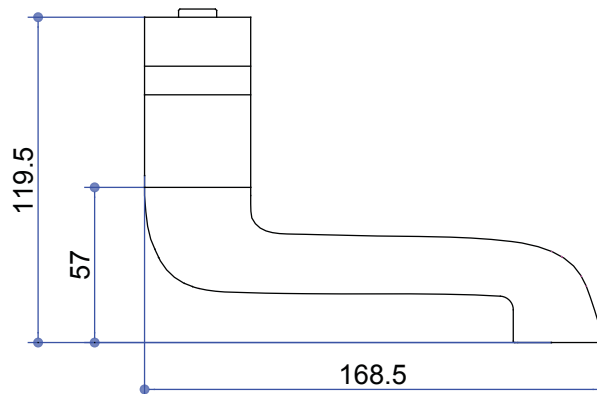


Fig 1:



- 1) Temporarily fit the valve outlet until it just engages on the splines of the spindle. (See Fig.1)
- 2) Swivel the spout and make sure it can move to both left and right side in same angle.
If not, take out spout and try first step again till find the right position.
- 3) Protect the surface of the fixing nut and tighten onto the spout.

Dimension



Maintenance

We do NOT recommend you use any household cleaners to clean the product. Because these cleaners change substance or formula too frequently. The product should be always cleaned only with soapy water and rinsed with clean water and dried with a soft cloth.