

PRODUCT DATA SHEET

Burlington[®]



PRODUCT CODE

GU6006CW

RANGE

Guild

DESCRIPTION

Guild Wall Hung Pan

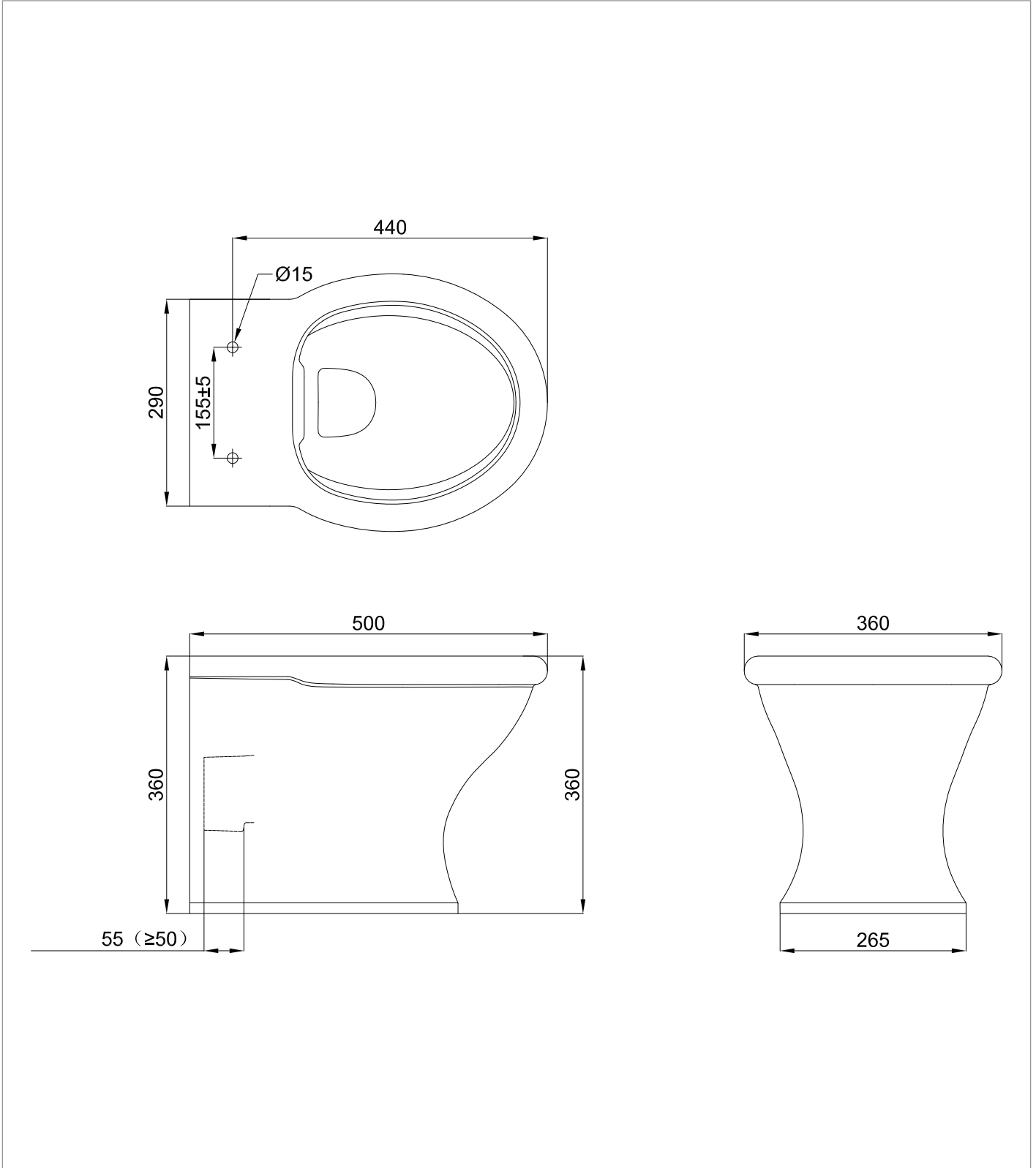
CATEGORY	Sanitaryware
WARRANTY DETAILS	Lifetime
COLOUR	Gloss White
FINISH APPLICATION	Glazed
PRIMARY MATERIAL	Vitreous China
INSTALL TYPE	Wall Mounted
PRODUCT WIDTH MM	360
PRODUCT HEIGHT MM	360
PRODUCT DEPTH MM	500
PRODUCT NET WEIGHT KG	32

STANDARDS	BS EN 997:2018,BS EN 33:2019
FIXINGS INCLUDED	Yes
RIM TYPE	Rimless
FLUSH VOLUME	6/4L
FIXING TYPE	Wall mounted fixing
TRAP TYPE	P Trap

TECHNICAL DIMENSIONS

Dimensions in mm unless otherwise specified.

Tolerances (per material type) apply.



SPARES LIST

Only the parts labelled are available as spares.

NUMBER	PART CODE	DESCRIPTION
1	SP1150	Fixing Kit