

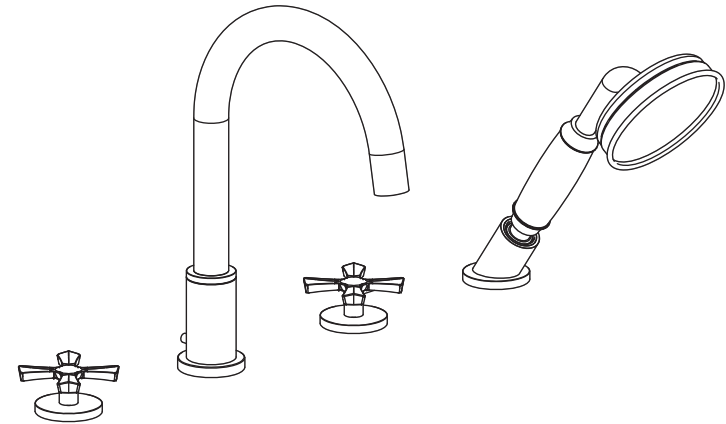
Maintenance

We do NOT recommend you use any household cleaners to clean the product. Because these cleaners change substance or formula too frequently. The product should be always cleaned only with soapy water and rinsed with clean water and dried with a soft cloth.

Burlington®

INSTALLATION INSTRUCTIONS

4 Hole Bath Set Deck



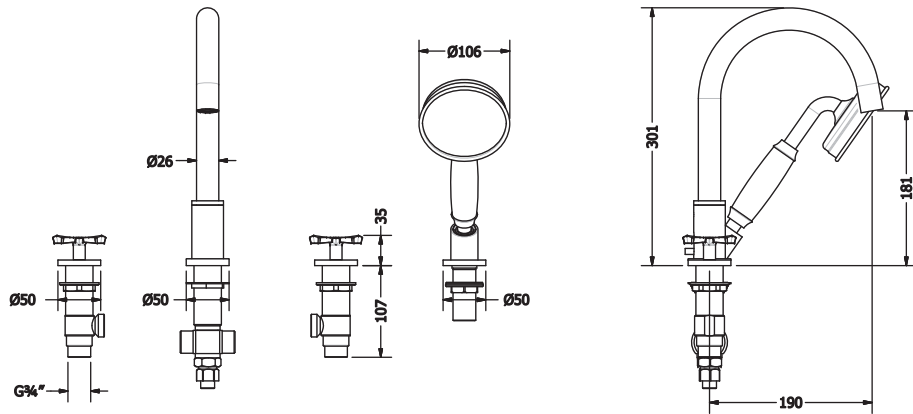
Important

- We recommend that this product is installed by a qualified professional contractor. Such as a plumber who is certified by NVQ (National Vocational Qualification) or SNVQ (Scottish National Vocational Qualification) Level 3
- Please check this product immediately to ensure that it has not been damaged and is complete. Before installation, please make sure this product is the correct model and you have all the parts required for installation and using.
- All the taps in Burlington Range should be supplied with hot and cold water at balanced pressure. If not, then the mixing function will not work correctly. It is necessary to fit non-return valves on both hot and cold feeds pipe. These are not supplied.
- Please flush the water system to ensure that no metal swarf, solder, and other impurities can enter the taps.
- Turn off water supply before commencing work, this should be done at the isolating valves of inlet feeds if fitted or main stopcock.
- Please read these instructions carefully and keep it for future reference.

Working pressure

The tap is suitable for both high and low pressure installation. To ensure that the tap works well under low water pressure, the cold water storage tank must be at least 2 meters above the installed position. The maximum static pressure is 10 bar, and operating water pressure is 5 bar. Where the operating water pressure above 5 bar, then a pressure reducing valve must be fitted.

Dimensions



Installation

1. Install the Central main body part:

- Fit the O-ring into the groove on the underside of the Spout plate.
- Then insert the spout body into the centre hole on the basin from above.
- Pass washer and nut from the bottom.
- Screw the t-connection, placing washers and o-ring correctly.
- Tight the connection and reduction nuts.

2. Install the Left and Right control valve part:

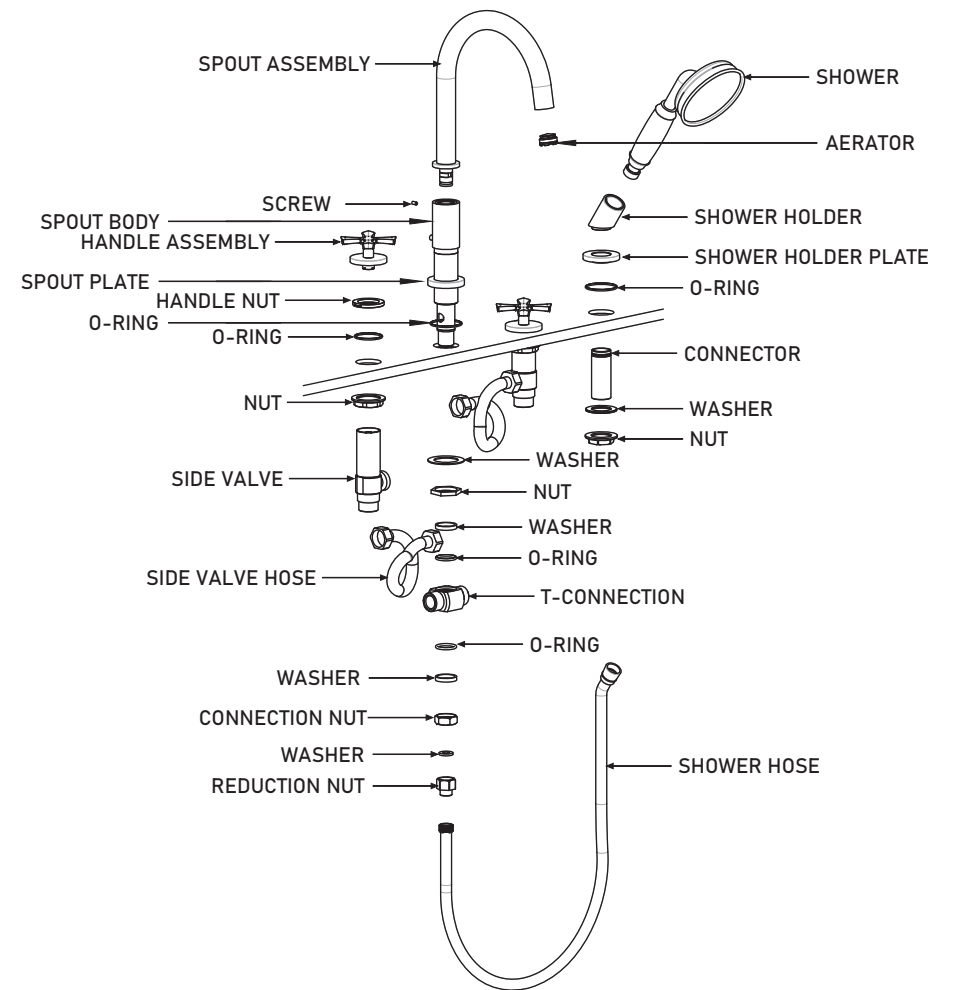
- Fit the O-ring into the groove on the underside of handle nuts.
- Insert both side valve assemblies from bottom of basin.
- Screw the handle nuts to side valve assemblies.
- Tighten rubber washer and fixing nut on both side valves.
- Tighten the handle assemblies and fix it together with the side valve body.

3. Install Shower & Shower holder:

- Install shower hose in handshower.
- Slide shower hose through shower holder, shower plate and connector.
- Tighten shower holder and connector to shower plate.
- Pass connector through bath hole and tighten with washer and nut from the bottom.

4. Use two flexible pipes to connect from middle three-way connection to both left and right side valve bodies. Connect shower hose to reduction nut.

5. Connect the water supply pipe to the tap control valve with the hot water on the left and cold water on the right. (Viewer from the front.)



Cleaning

Before use: Unscrew the aerator and allow the water to run freely for 5 minutes. Then screw the aerator back in place.

Periodically: Using the key provided unscrew the aerator and remove. Rinse it with cleaning running water until any loose debris is cleared. Then replace the aerator and tighten with key provided.