

## PRODUCT CODES:

GU6105x



### IMPORTANT INFORMATION BEFORE YOU START

**Please read carefully and keep this information for further reference.**

Thank you for buying a Burlington Product. To ensure that it works to its full potential, it needs to be fitted correctly.

Check the contents of the pack carefully before installation.

Crosswater will not be held responsible for any de-fit/re-fit costs where faulty product has been fitted. If any fault is found with materials or workmanship, it must be reported immediately to the manufacturer. Remedial action will be taken, based on information received, on condition that:

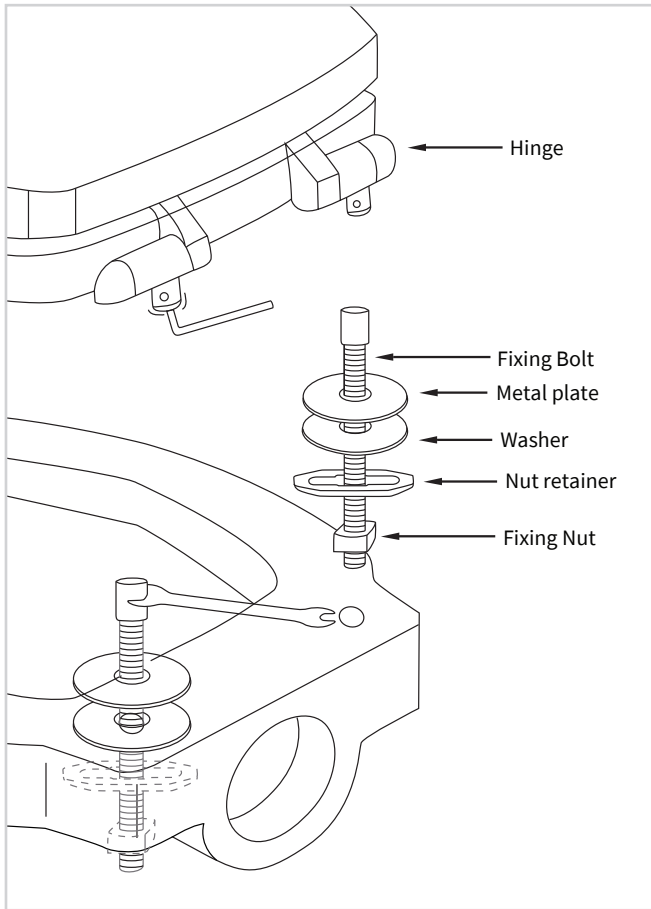
1. Full details are supplied to the manufacturer.
2. The product has not been modified or tampered with;

3. The manufacturer is informed of any damage/shortages prior to installation.

4. The product has not been installed, or attempts have been made to install.

We do not accept responsibility for any problems that may occur through incorrect installation. This product should only be installed by a suitably qualified plumber/installer. Should the installation be completed by a non-qualified person any product guarantee maybe considered invalid. For a claim made under our warranty, written certification of your installer's qualifications may be required.

## INSTALLATION



### Important Pre-Installation Notes

Remove all packaging and check the fitting for damage before starting installation.

Before starting any installation please consider the following: before drilling into walls, check that there are no hidden electrical wires, cables or water supply pipes. This can be checked with the aid of an electronic detector.

If power tools are used do not forget to:

- Wear eye protection
- Unplug equipment after use

Place the metal plates, washers, nut retainers and fixing nuts onto the fixing bolts.

Flip the nut retainer into a vertical position and insert through the pan fixing holes as shown in the right diagram.

When inserted, gently shake the pan fixing bolts so that the nut retainer turns to a horizontal position.

Lift and hold the metal plate, and tighten the fixing bolts by hand. Slightly adjust the fixing bolts to line up with the holes in the hinges, then tighten the fixing bolts using a spanner, and lock the hinges by fully tightening the grub screws in the hinges.

## CARE & MAINTENANCE

The toilet seat has been coated with a durable lacquer, nevertheless care should be taken when cleaning them. They should be cleaned only with warm soapy water followed by rinsing with clean water and drying with a soft cloth. All finishes are vulnerable to acid attack and some strong substances such as household cleaners, disinfectants, denture cleaners, hair dyes, wine making, and photographic chemicals can cause the surface to go black or peel. As with all toilets seats: If you use bleaches and strong cleaners in the pan, do not leave the seat closed whilst the cleaner acts on the pan– the fumes from bleaches & cleaners may destroy and/or discolour the finish on the seat.

Note: Never use abrasive detergents or disinfectants or those containing alcohol, hydrochloric acid or phosphoric acid.

Do not stand on the lid or toilet seat; this may cause damage to it.

Please note the Guild Light Oak and Dark Oak are moulded wooden seats with veneer finishes.