

PRODUCT DATA SHEET

Burlington[®]



PRODUCT CODE

GU7002CW

RANGE

Guild

DESCRIPTION

Guild High Level Slimline 51cm Cistern

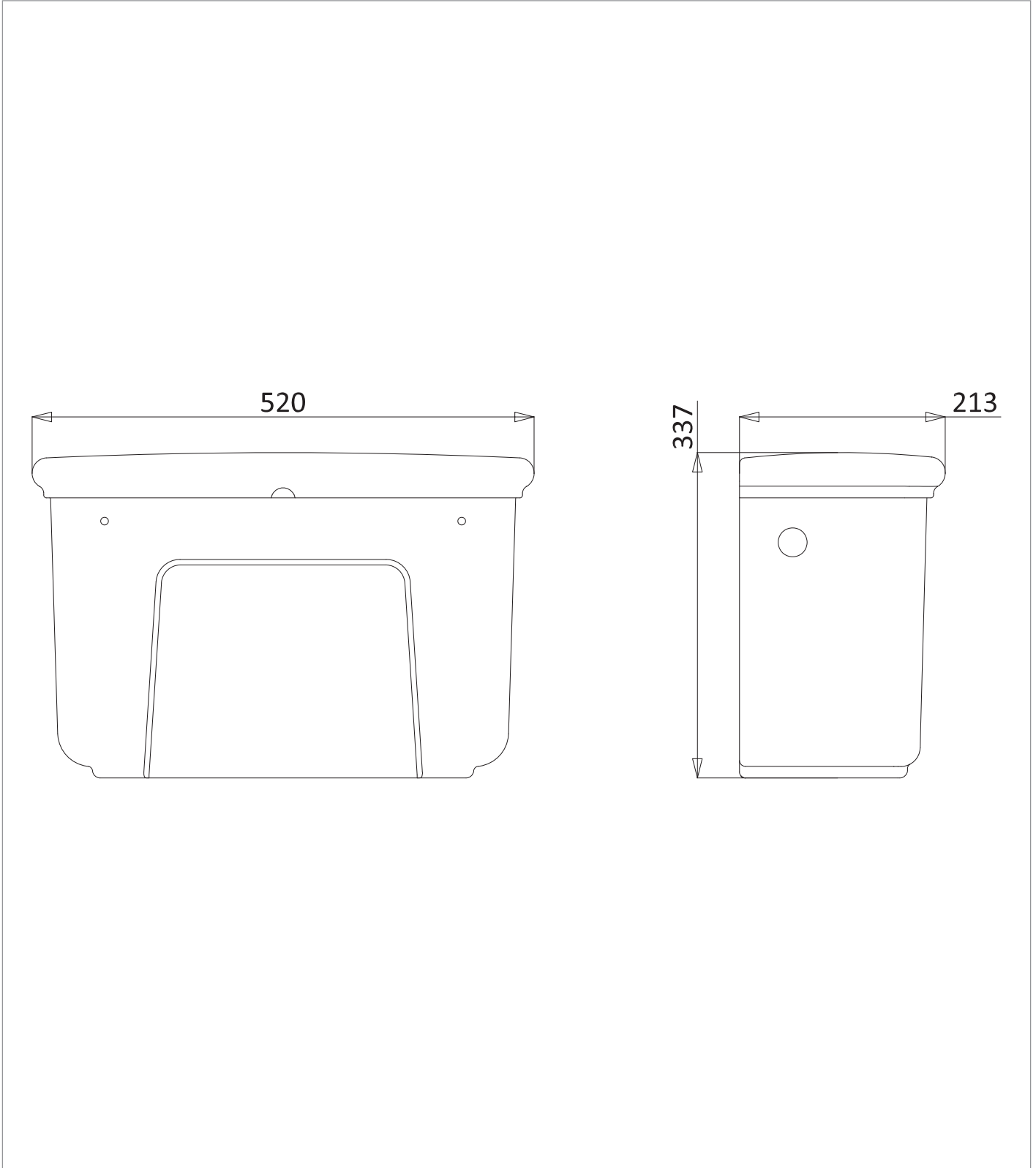
CATEGORY	Sanitaryware
WARRANTY DETAILS	Lifetime
COLOUR	Gloss White
FINISH APPLICATION	Glazed
PRIMARY MATERIAL	Vitreous China
PRODUCT WIDTH MM	520
PRODUCT HEIGHT MM	337
PRODUCT DEPTH MM	213
PRODUCT NET WEIGHT KG	17.3
STANDARDS	EN 14055:2018

FIXINGS INCLUDED	No
FLUSH VOLUME	6/4L
FIXING TYPE	Wall Mounted
CISTERN FLUSH MECHANISM	Dual Flush with Lever

TECHNICAL DIMENSIONS

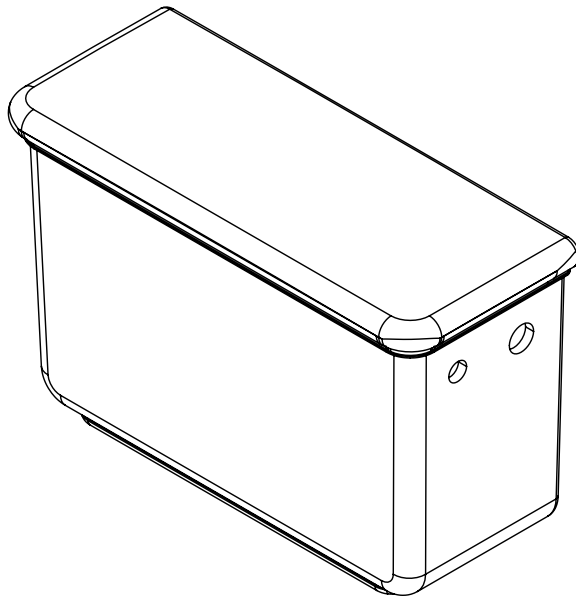
Dimensions in mm unless otherwise specified.

Tolerances (per material type) apply.



SPARES LIST

Only the parts labelled are available as spares.



NUMBER	PART CODE	DESCRIPTION
1	SP7	Fittings High Level Cistern inc lever