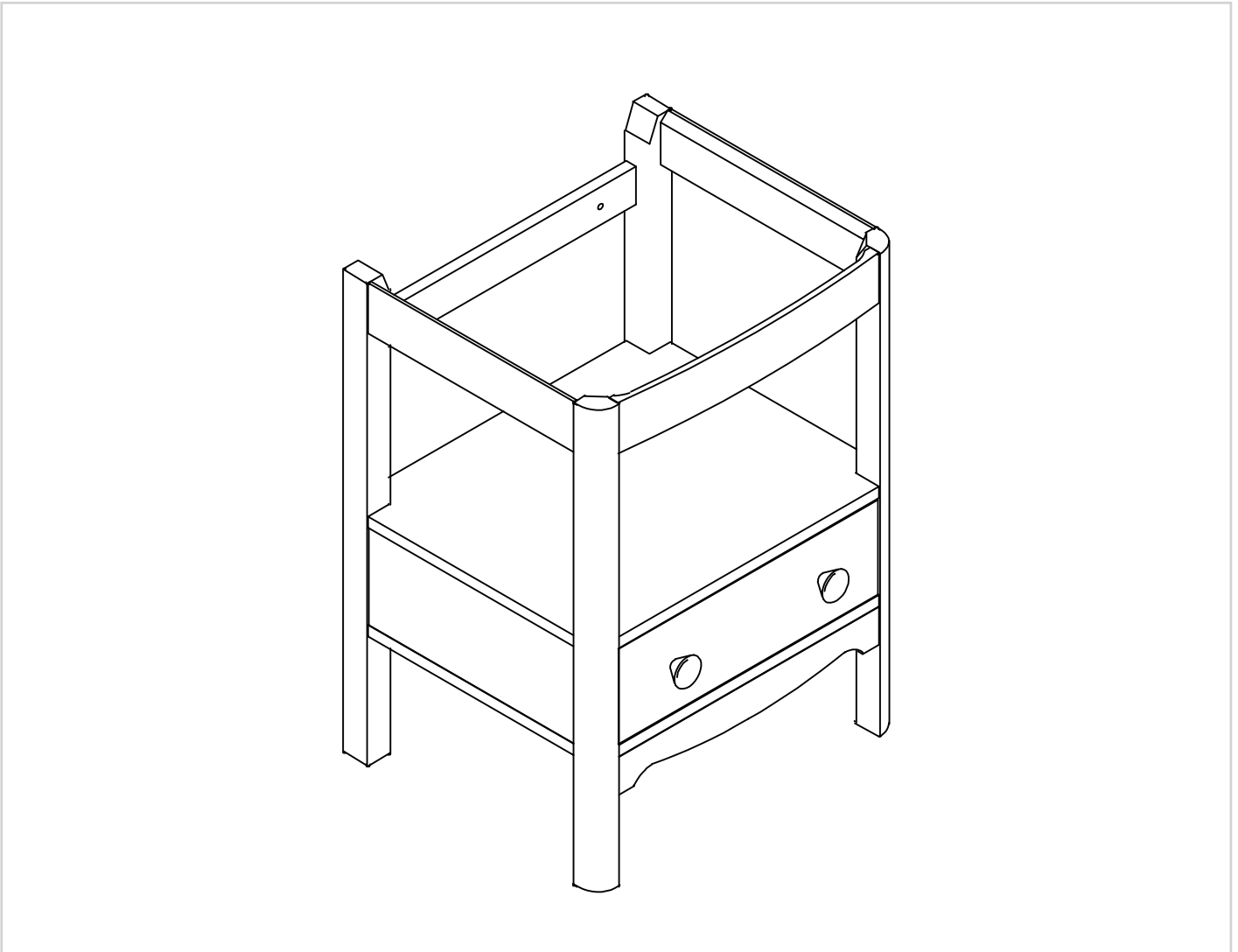


Floor Standing Vanity Single Drawer Unit



IMPORTANT INFORMATION BEFORE YOU START

Please read carefully and keep this information for further reference.

Thank you for buying a Burlington Product. To ensure that it works to its full potential, it needs to be fitted correctly.

Check the contents of the pack carefully before installation.

Burlington will not be held responsible for any de-fit/re-fit costs where faulty product has been fitted. If any fault is found with materials or workmanship, it must be reported immediately to the manufacturer. Remedial action will be taken, based on information received, on condition that:

1. Full details are supplied to the manufacturer.
2. The product has not been modified or tampered with;

3. The manufacturer is informed of any damage/shortages prior to installation.

4. The product has not been installed, or attempts have been made to install.

We do not accept responsibility for any problems that may occur through incorrect installation. This product should only be installed by a suitably qualified plumber/installer. Should the installation be completed by a non-qualified person any product guarantee maybe considered invalid. For a claim made under our warranty, written certification of your installer's qualifications may be required.

BEFORE YOU START









IMPORTANT INFORMATION

Please read carefully and keep this information for further reference.

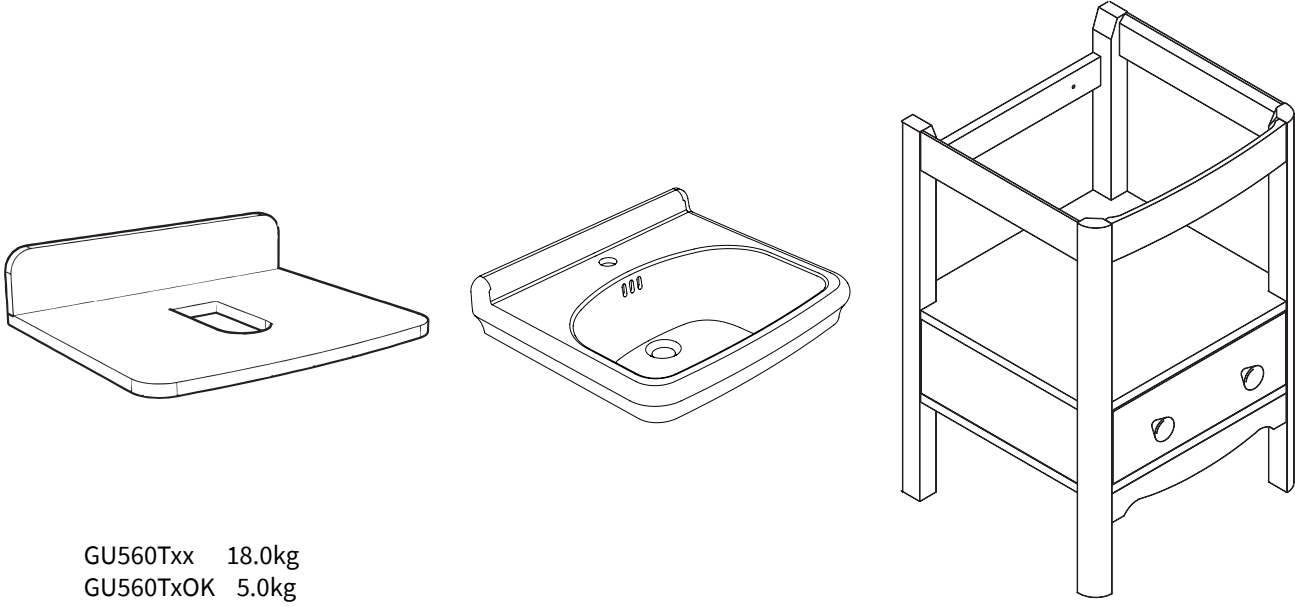
Please check for any hidden pipes or electrical cables before drilling holes in the floor or walls.

When using power tools always follow the manufacturer's user instructions. This installation guide details fitting to a solid wall. If your bathroom has studded/ plasterboard walls, please use appropriate fixings. Please ensure the wall can take the weight of the units detailed. Before installing a wooden bathroom unit into a new property, extension or recently plastered room we strongly advise the building/room is completely dry, well ventilated and adequately heated.

Tools Required (not supplied):

| | | | |
|-------------------------------|---|-------------------------|---|
| <u>Drill + 10mm Drill Bit</u> |  | <u>Pencil</u> |  |
| <u>Tape Measure</u> |  | <u>Screw Driver</u> |  |
| <u>Spirit Level</u> |  | <u>Safety Goggles</u> |  |
| <u>Adjustable Spanner</u> |  | <u>Silicone Sealant</u> |  |


COMPATIBILITY



Line drawings of three bathroom fixtures: a bidet, a toilet, and a vanity unit. The bidet is a rectangular unit with a central opening. The toilet is a similar rectangular unit with a bowl. The vanity unit is a wooden cabinet with a sink and two drawers.

| | | | |
|-----------|--------|-----------|--------|
| GU560Txx | 18.0kg | | |
| GU560TxOK | 5.0kg | | |
| GU620Txx | 20.0kg | | |
| GU620TxOK | 6.0kg | | |
| GU850Txx | 29.0kg | | |
| GU850TxOK | 8.0kg | | |
| | | GU056xxxx | 17.0kg |
| | | GU065xxxx | 19.0kg |
| | | GU085xxxx | 27.5kg |
| | | GU5600xxx | 27.0kg |
| | | GU6500xxx | 29.4kg |
| | | GU8500xxx | 37.8kg |

FIXINGS

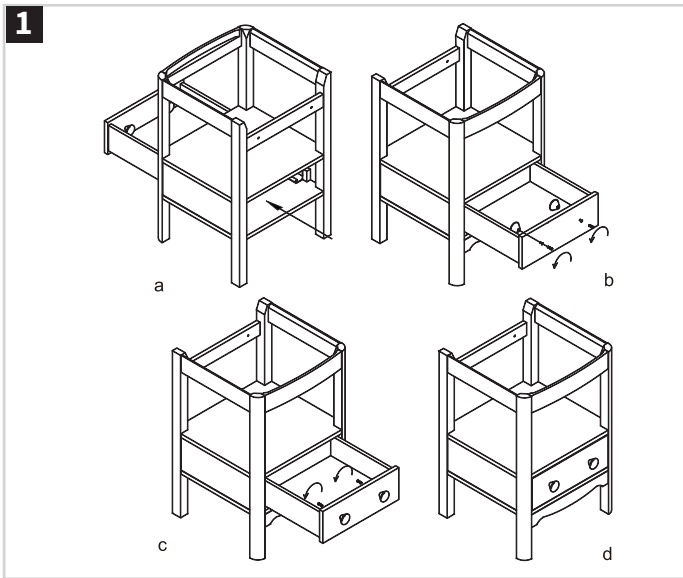


Line drawings of two types of fixings: a bolt and a screw. The bolt is a long, cylindrical metal fastener with a hexagonal head. The screw is a shorter metal fastener with a Phillips head.

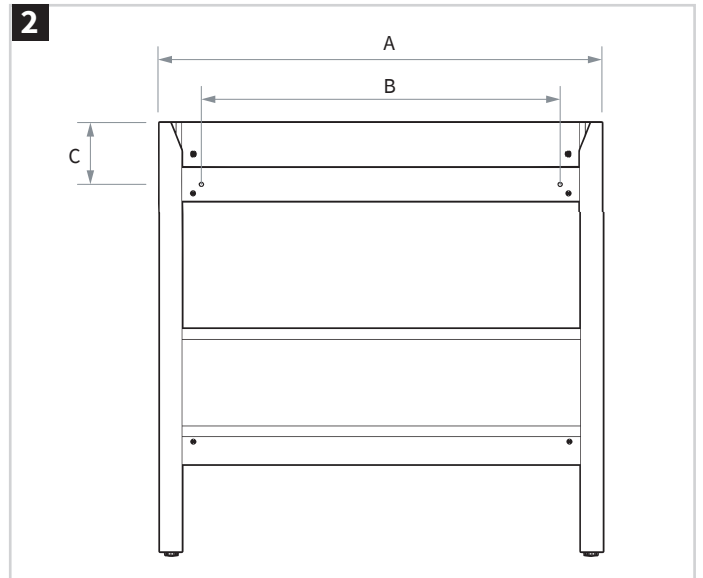
x2

x2

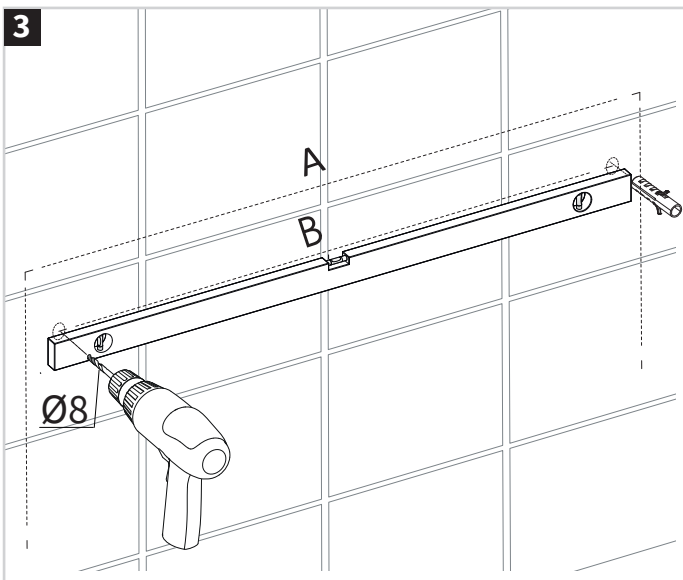
INSTALLATION



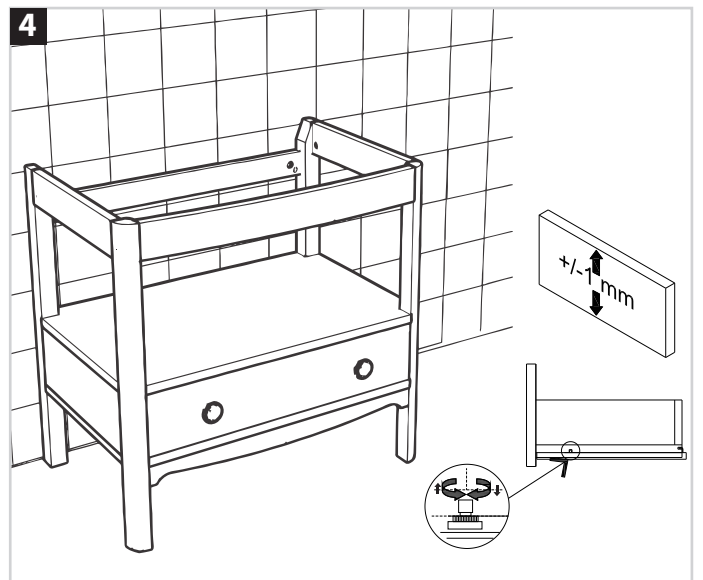
Remove the drawer by pulling it forward approximately 10cm before the limit stop and pressing the clips on the underside of the drawer. The drawer will release from the guide and it can be gently lifted. Place on a safe location ensuring no impact or damage to the drawer.



Measure the width and height of the fixing brackets - distances B and C. Mark the wall and prepare to drill.



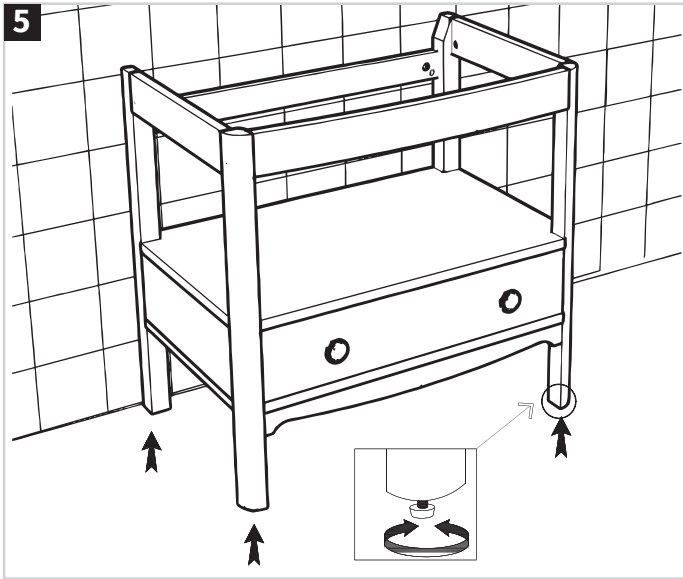
Drill the marks using an 8mm drill bit and ensuring there are no hidden pipes or cables in the wall. Make sure the correct drill bit is used for the surface being drilled and check that the holes are level.



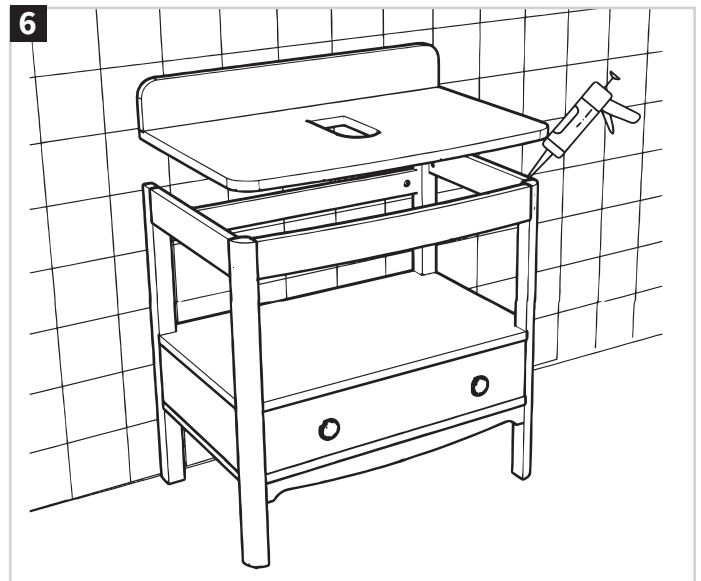
Install the wall brackets using the fixings provided. The unit carcass can now be mounted on the wall brackets and adjusted to ensure it is flush with the wall and level.

To adjust the drawer back to the unit and rotate the left and right pulleys to adjust the gap between the drawers. Adjust counterclockwise upwards and clockwise downwards.

INSTALLATION

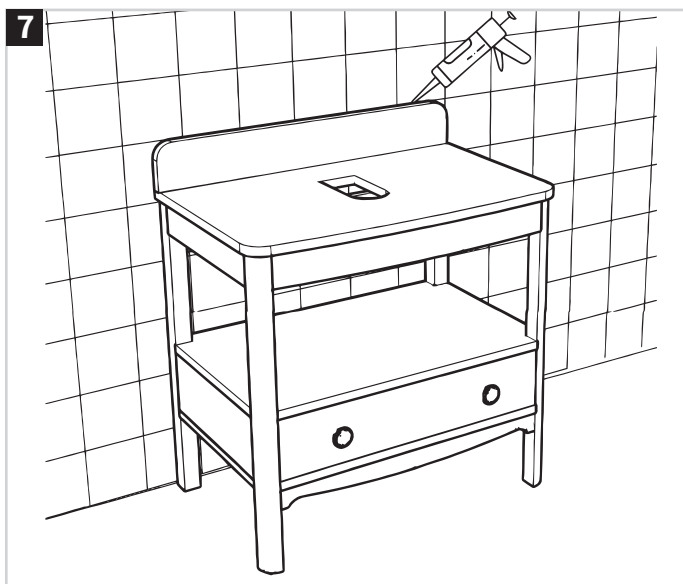


Ensure the cabinet is straight and level by adjusting the feet at the bottom of the furniture legs.



The basin or worktop, tap and waste fittings may now be installed, following the manufacturer's instructions. Connect water and waste pipework and turn on the water supply to check for any leaks.

Important: Apply silicone sealant on the top of the basin unit to keep watertight. Check the manufacturer's instructions for drying times.



Apply silicone sealant at the back and top of the basin and unit to keep watertight. Check the manufacturer's instructions for drying times.

CARE & MAINTENANCE

Clean regularly using with warm soapy water and polish with only a soft cloth.
Any residues from soap, toiletries etc. should be rinsed off straight after use.
Household bleaches and cleaners containing harsh chemicals may damage the surface finish.
Avoid using abrasive cloths, scouring pads, scrub sponges, steel wool or anything similar.
Lime-scale marks can be cleaned using a diluted lime-scale remover used in accordance with manufacturers instructions.

Ceramic, glass and cast mineral marble basin products should be cleaned regularly with warm soapy water, then rinsed with clean water and, if desired, dried and polished with a soft cloth. Lime scale deposits can be removed using a 50:50 solution of warm water and lime scale remover and soft clean cloth.

We recommend regular cleaning with Cream Polish SD150RW, specially formulated to clean and help protect the surface of glass and cast mineral marble basins. Please also take care not to damage the lacquered surface on the underside of the glass washbasin that gives the washbasin its colour. Damage to the underside of the washbasin may be visible through the glass. Take care how you handle the washbasin prior to installation and place it on a soft surface to avoid damage. Regularly clean worktop, carcass and drawer using a micro-fibre cloth. Do not use abrasive cleaners or bleach as this will permanently damage the lacquered surfaces. If any maintenance is required then it must be carried out by a qualified Plumber.