

PRODUCT DATA SHEET

Burlington[®]



PRODUCT CODE

BW65

RANGE

Furniture

DESCRIPTION

Burlington Curved 650 Upstand White

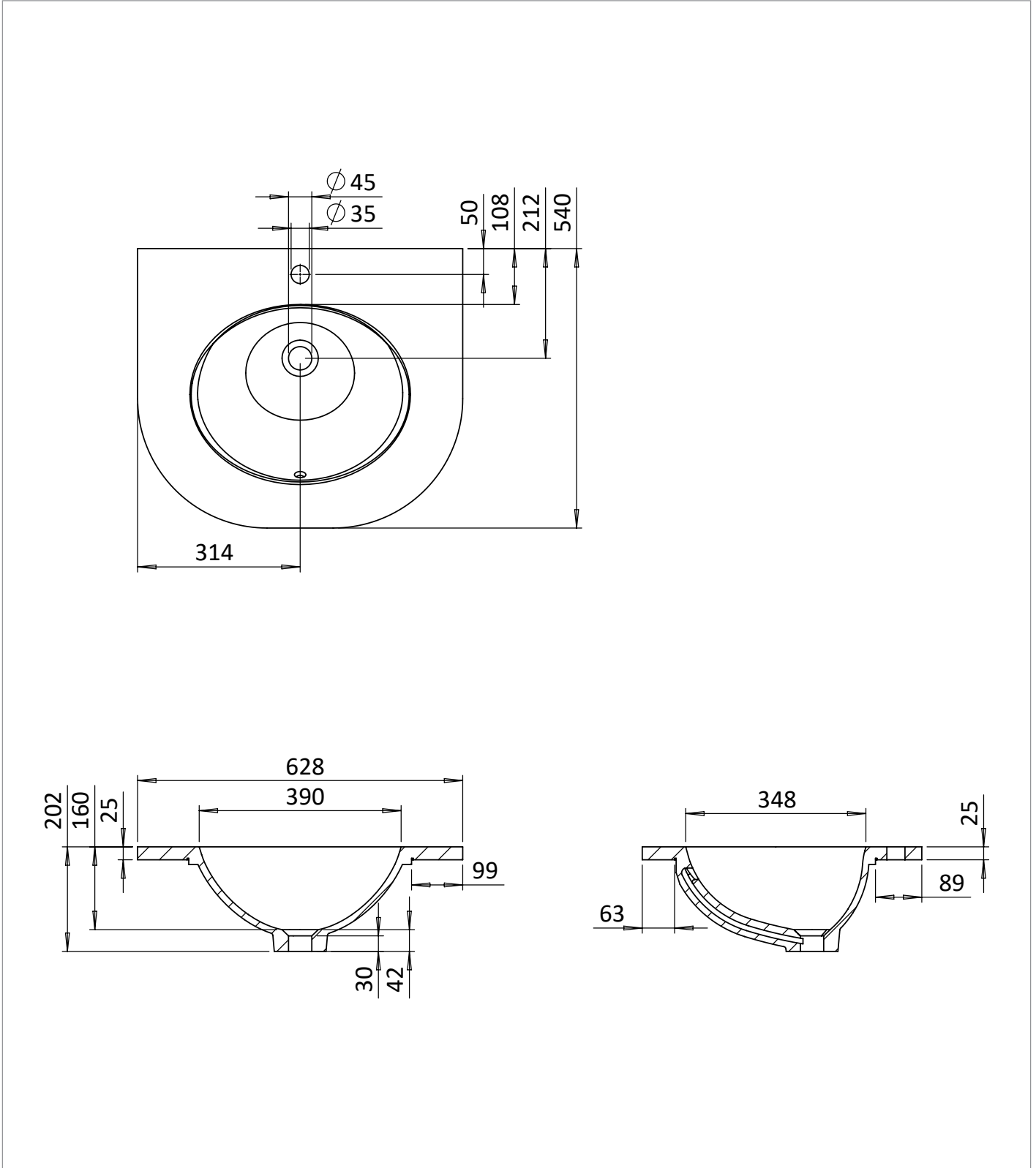
CATEGORY	Furniture
WARRANTY DETAILS	10 Years
COLOUR	White
FINISH APPLICATION	Satin
PRIMARY MATERIAL	Solid Surface
INSTALL TYPE	Furniture Mounted
PRODUCT WIDTH MM	650
PRODUCT HEIGHT MM	180
PRODUCT LENGTH MM	550
PRODUCT DEPTH MM	550
PRODUCT NET WEIGHT KG	0
STANDARDS	BS EN 438-7,BS EN ISO 4892-3,BS EN 59

COLOUR CODE / REFERENCE	WH
-------------------------	----

TECHNICAL DIMENSIONS

Dimensions in mm unless otherwise specified.

Tolerances (per material type) apply.



SPARES LIST

Only the parts labelled are available as spares.

NO SPARES AVAILABLE