

PRODUCT DATA SHEET

Burlington[®]



PRODUCT CODE

BC65

RANGE

Furniture

DESCRIPTION

Burlington Curved 650 Top Upstand Carrara

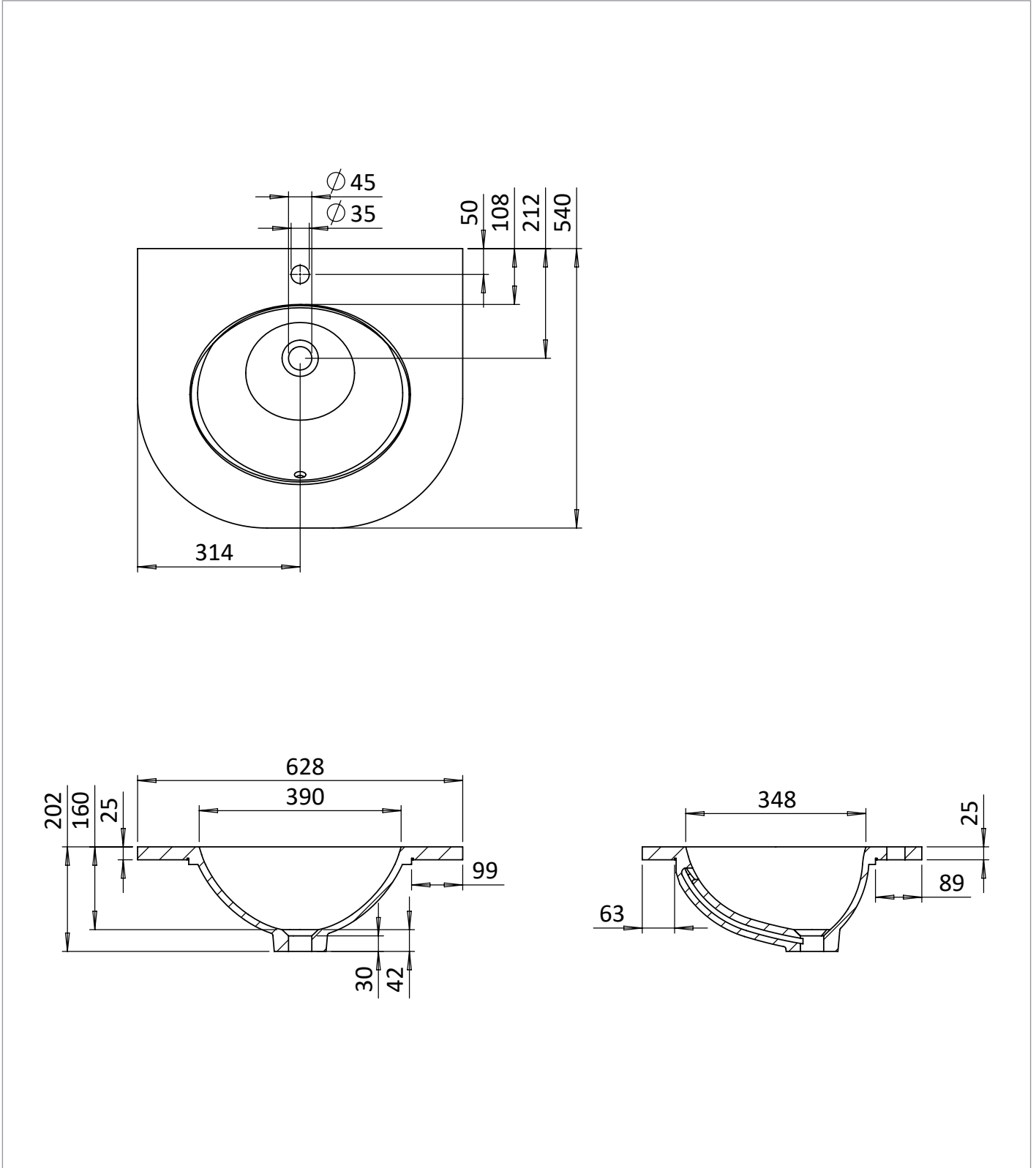
| | |
|-----------------------|-------------------|
| CATEGORY | Furniture |
| WARRANTY DETAILS | 10 Years |
| COLOUR | Carrara |
| FINISH APPLICATION | Satin |
| PRIMARY MATERIAL | Solid Surface |
| INSTALL TYPE | Furniture Mounted |
| PRODUCT WIDTH MM | 650 |
| PRODUCT HEIGHT MM | 180 |
| PRODUCT LENGTH MM | 550 |
| PRODUCT DEPTH MM | 550 |
| PRODUCT NET WEIGHT KG | 0 |

| | |
|-------------------------|----|
| COLOUR CODE / REFERENCE | CA |
|-------------------------|----|

TECHNICAL DIMENSIONS

Dimensions in mm unless otherwise specified.

Tolerances (per material type) apply.



SPARES LIST

Only the parts labelled are available as spares.

NO SPARES AVAILABLE