

PRODUCT DATA SHEET

Burlington[®]



PRODUCT CODE

E32

RANGE

Baths

DESCRIPTION

Arundel Double Ended Bath 1700x750
White

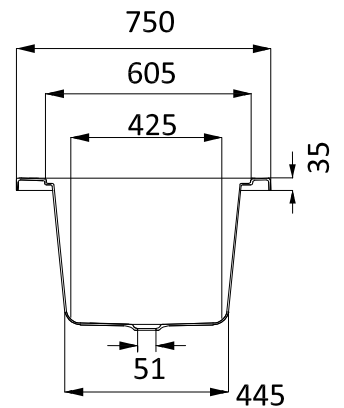
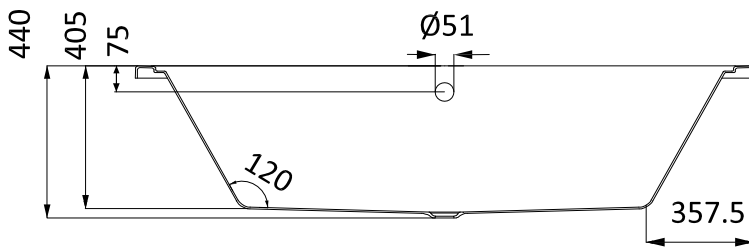
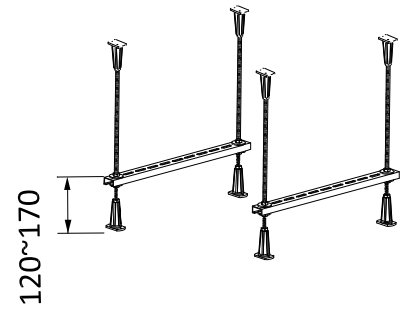
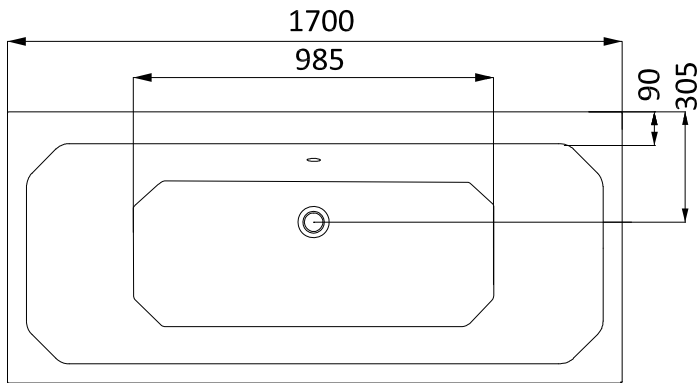
CATEGORY	Baths
WARRANTY DETAILS	10 Years
COLOUR	Gloss White
PRIMARY MATERIAL	Acrylic
INSTALL TYPE	Floor Mounted
PRODUCT WIDTH MM	750
PRODUCT HEIGHT MM	440
PRODUCT LENGTH MM	1700
PRODUCT NET WEIGHT KG	27
STANDARDS	EN 14516:2015+A1:2018

WEIGHT AT CAPACITY 1 (KG)	177
CAPACITY 2 (L) - WATER AT OVERFLOW LEVEL WITH 1 PERSON	107
BUILT IN OVERFLOW	No
HEIGHT ADJUSTMENT	560
THICKNESS	4
WASTE DIAMETER	51
CAPACITY 1 (L) - WATER AT OVERFLOW LEVEL BATHS	177

TECHNICAL DIMENSIONS

Dimensions in mm unless otherwise specified.

Tolerances (per material type) apply.



SPARES LIST

Only the parts labelled are available as spares.

--