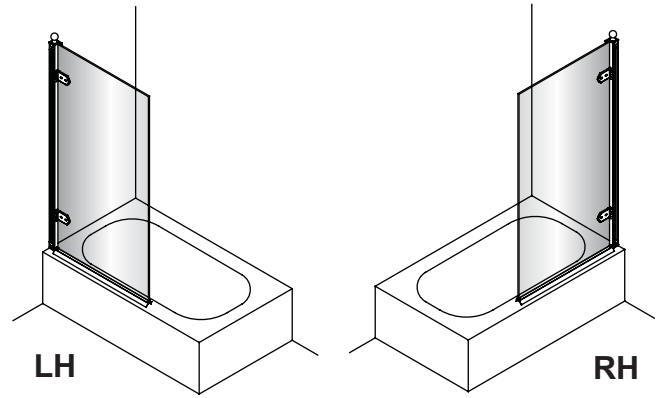


## Bath Screen - C9



### Before Installation:

- Check the contents of the pack carefully before installation.
- The bath **MUST** be installed level and fully sealed to the tiles.
- Handle with care. Impacts can damage both the glass and the frame.
- Check for any hidden pipes or cables before drilling holes in the wall.
- The enclosure is reversible: " door can be either left or right opening. "

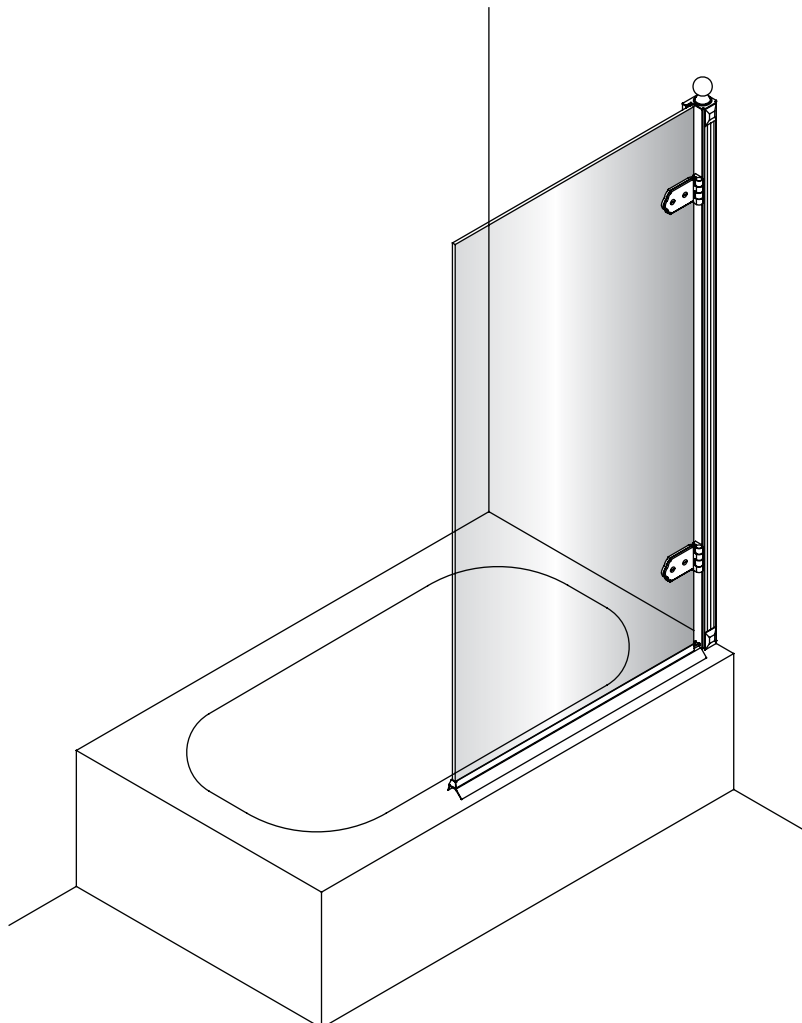
In the remainder of this manual the illustrations will only show the right hand installation of the bath screen.

The parts marked "LH" or "RH" would be only suitable for the relative shower enclosure.

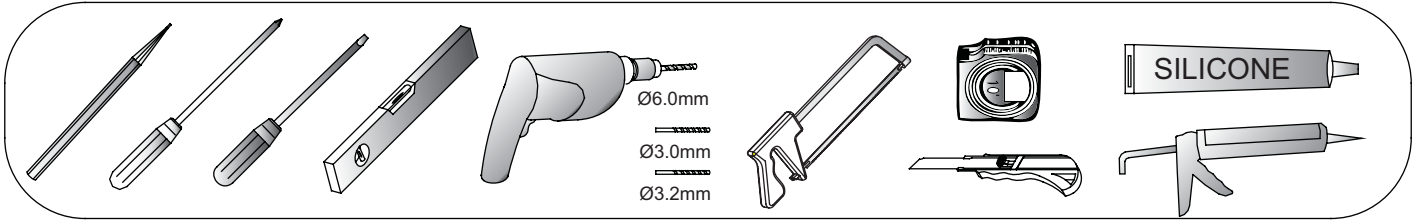
- The wall fixings supplied may not be suitable for your installation. You may need to source alternatives depending on the construction of the wall you are fixing to.
- Follow each step in turn.

### Care and Cleaning:

- Do not use solvents or abrasive material or chemicals to clean the enclosure.
- Only clean using soapy water and a soft cloth, rinse thoroughly afterwards.

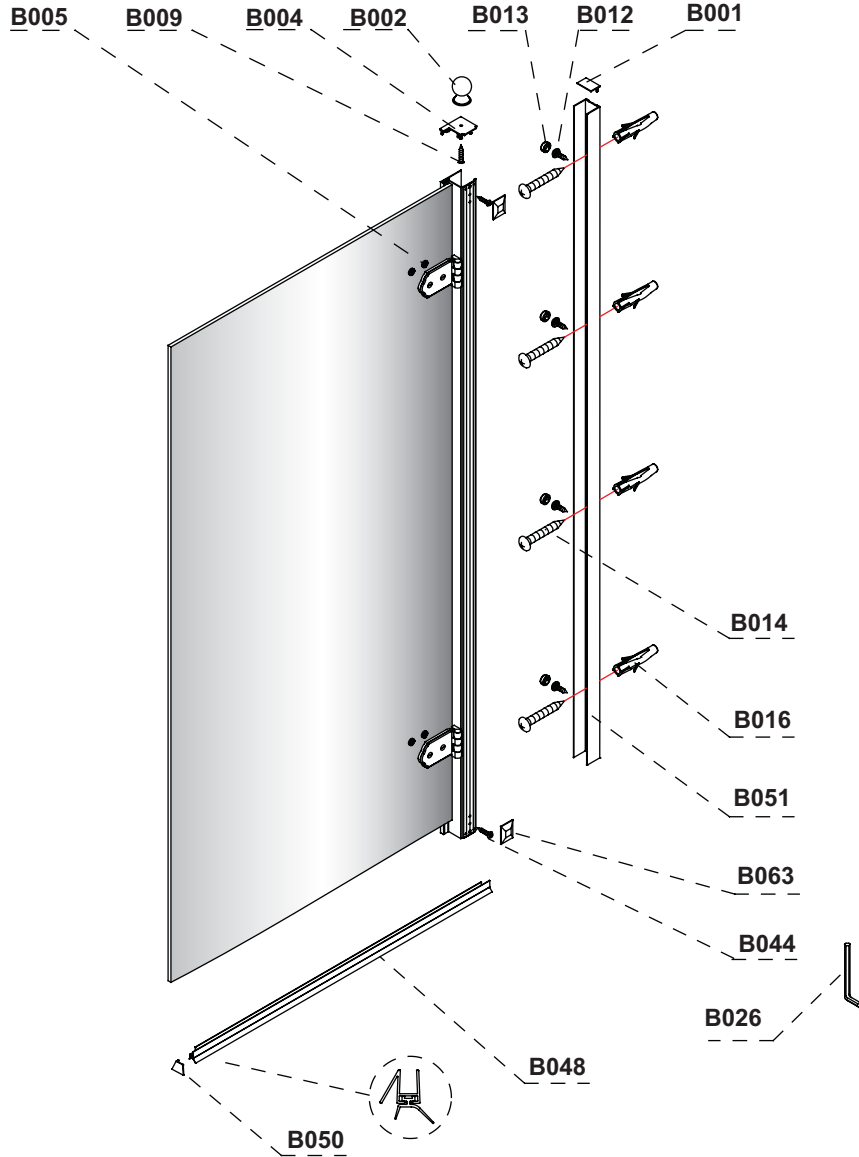


**Tools required:**



**Parts supplied:**

**Bath screen**



<b>B001</b>  1x	<b>B012</b>  4x ST3.5*10mm	<b>B013</b>  4x	<b>B063</b>  2x	<b>B002</b>  1x	<b>B003</b>  1x LH
<b>B004</b>  1x RH	<b>B009</b>  1x ST3.5*16mm	<b>B044</b>  2x ST4*12mm	<b>B005</b>  4x	<b>B049</b>  1x LH	<b>B050</b>  1x RH
<b>B048</b>  1x	<b>B051</b>  1x	<b>B016</b>  4x	<b>B014</b>  4x ST4*50mm	<b>B026</b>  1x 4mm	

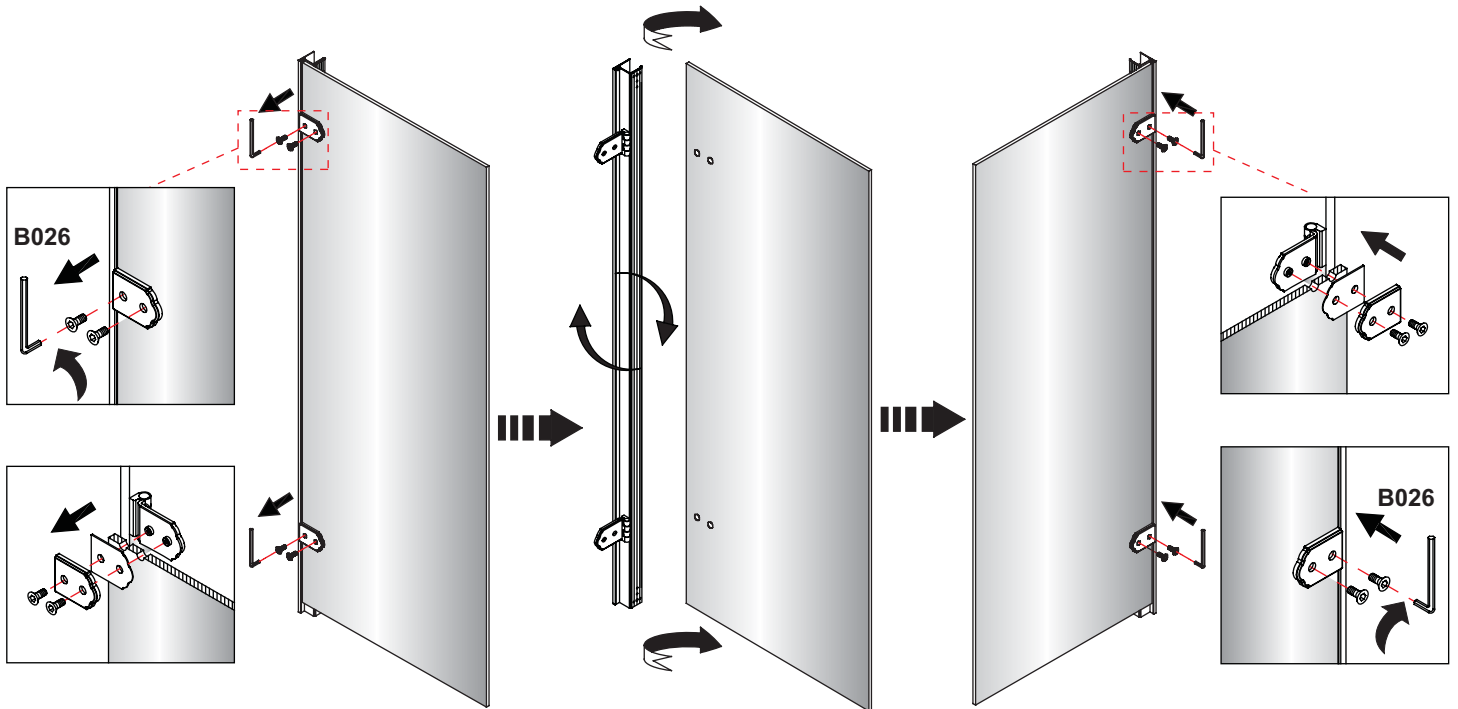


The bath screen is supplied for Right Handed installation. For Left Handed installation please loosen the hinges and reverse the glass as shown below.

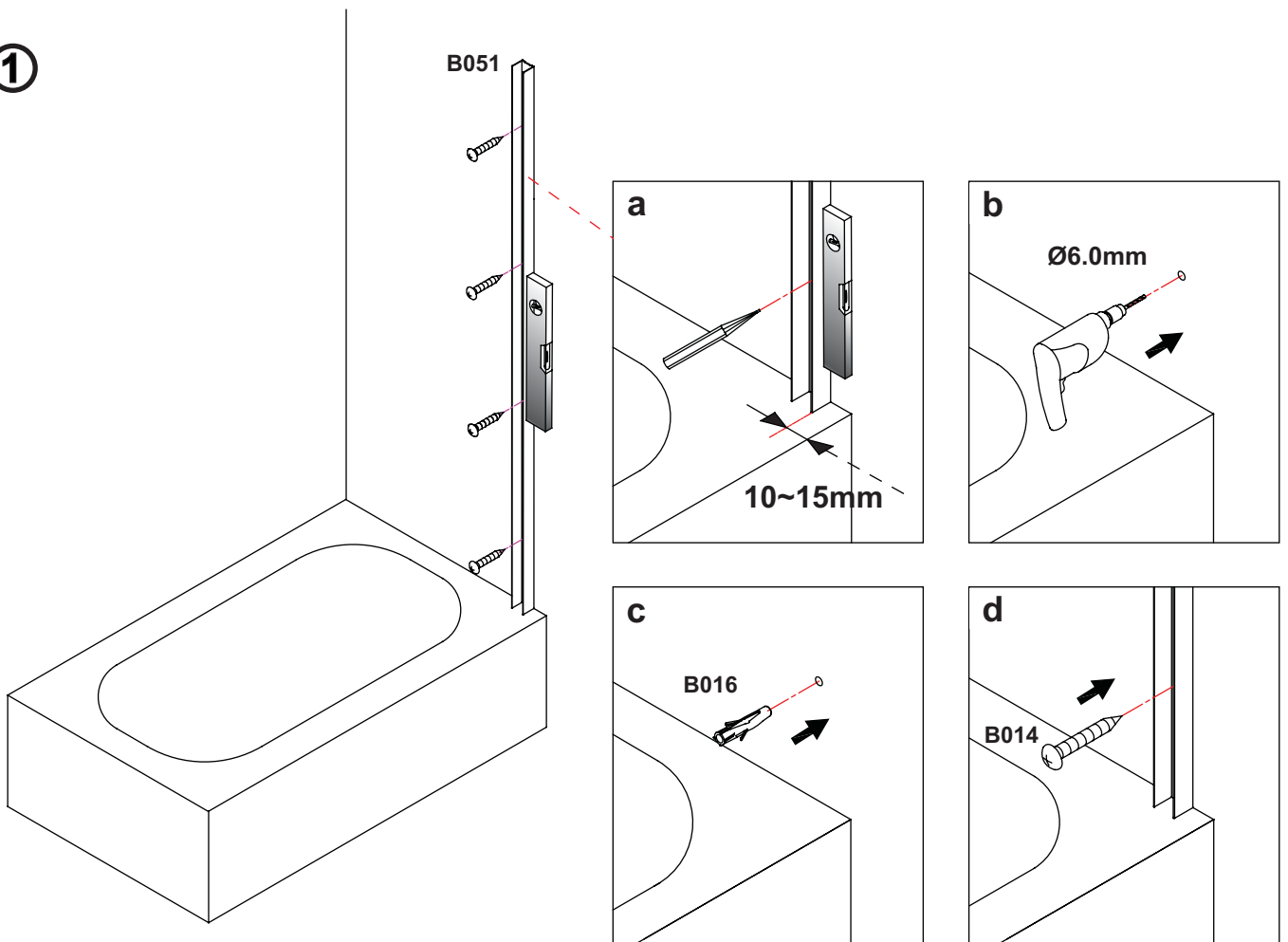
Right Hand



Left Hand

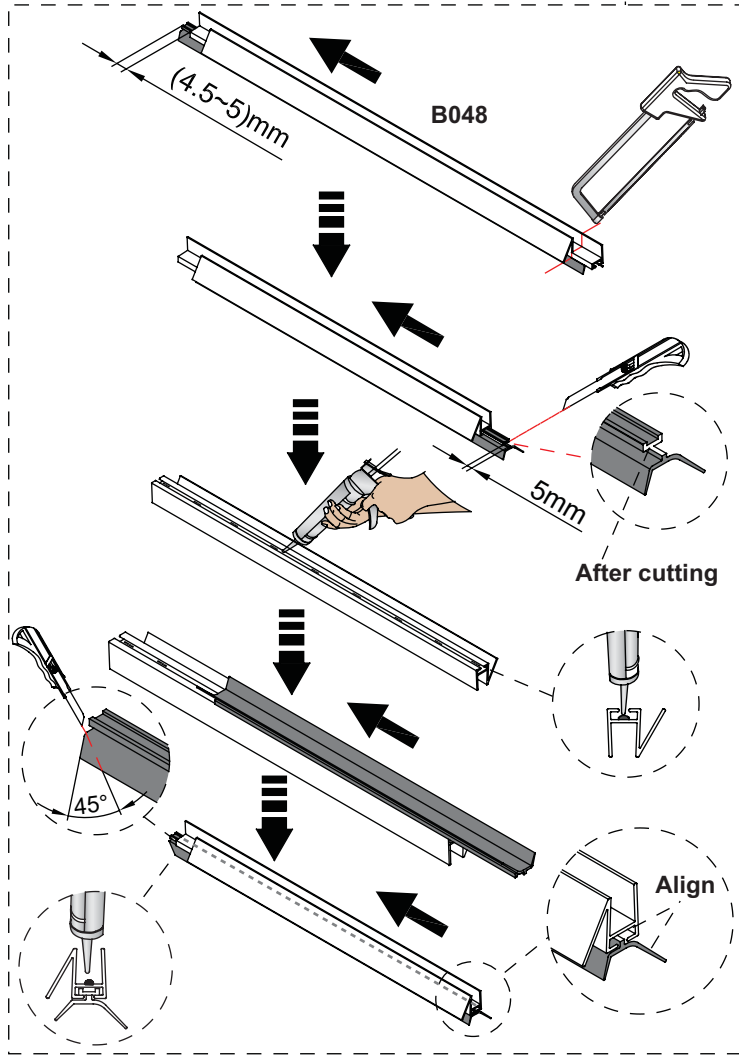


①

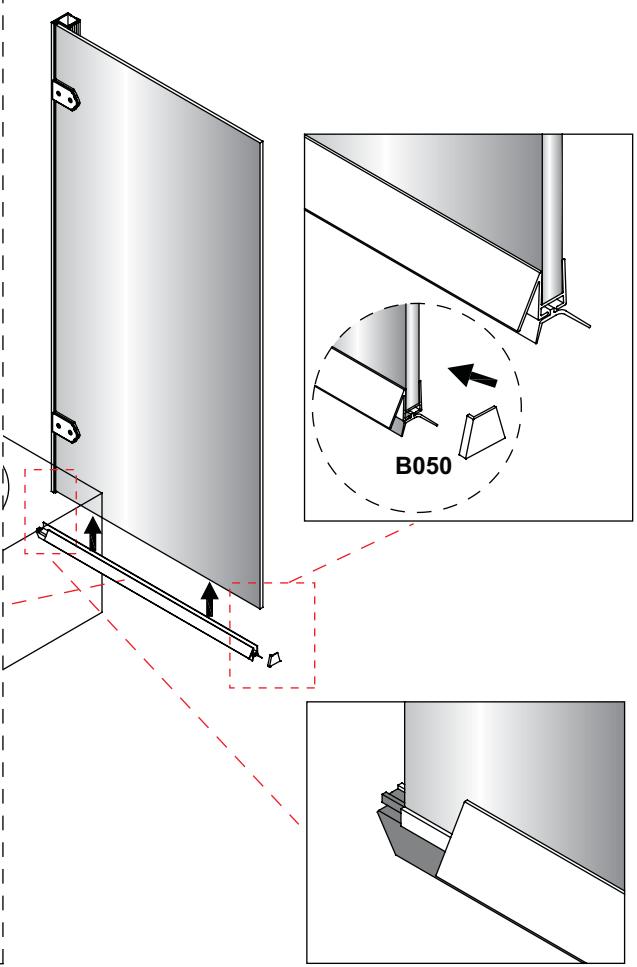




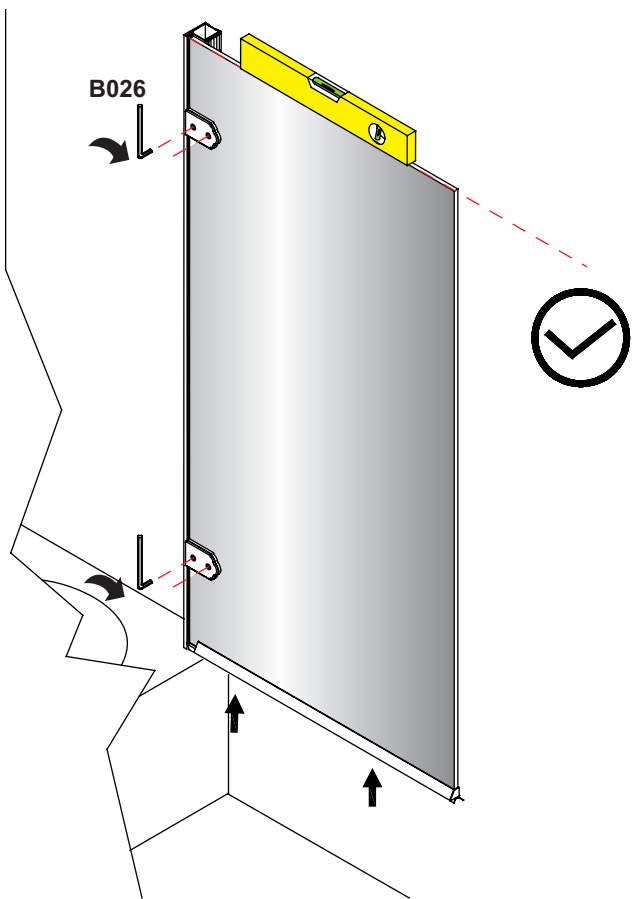
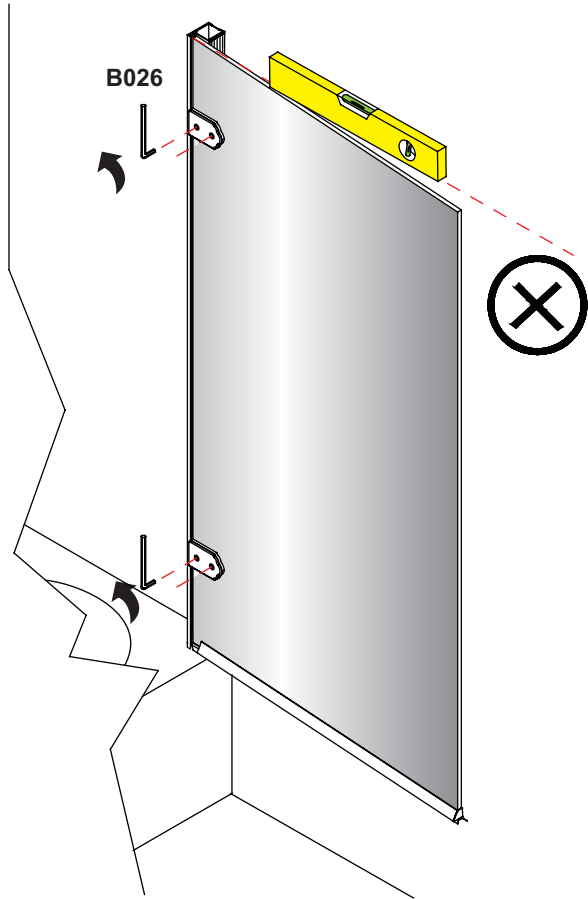
④



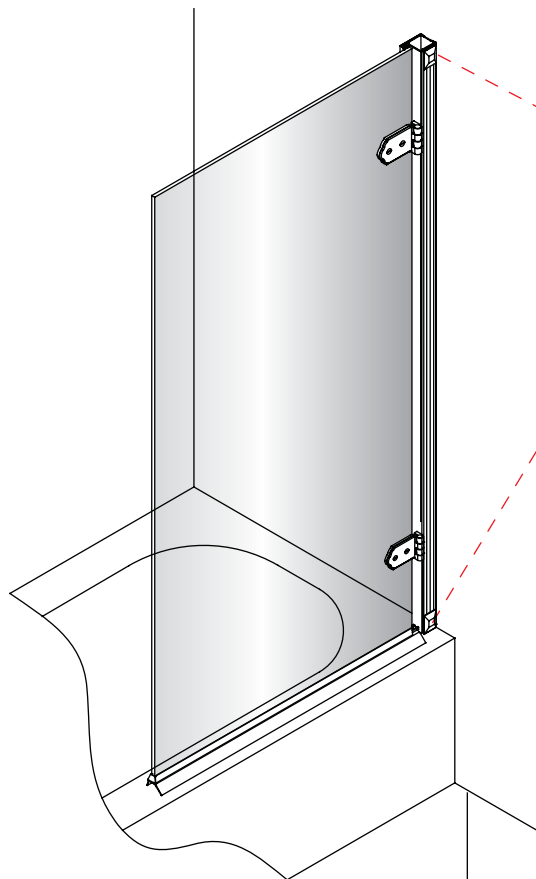
\* Please note when cutting parts B048 a sharp fine tooth hacksaw should be used.



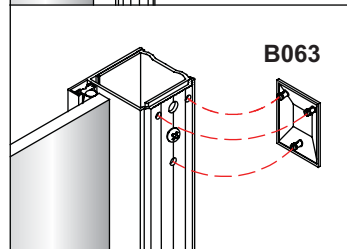
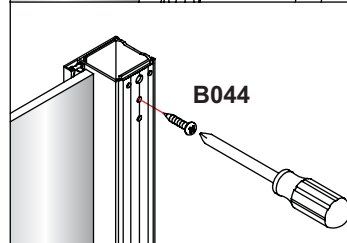
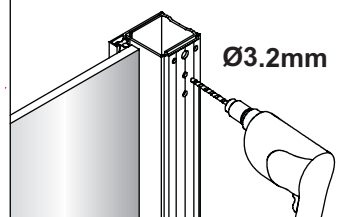
Only if adjustment is required.



5



Drill frame through profile wall.



6

