

PRODUCT DATA SHEET

Burlington[®]



PRODUCT CODE

BUBRACEC

RANGE

Showering

DESCRIPTION

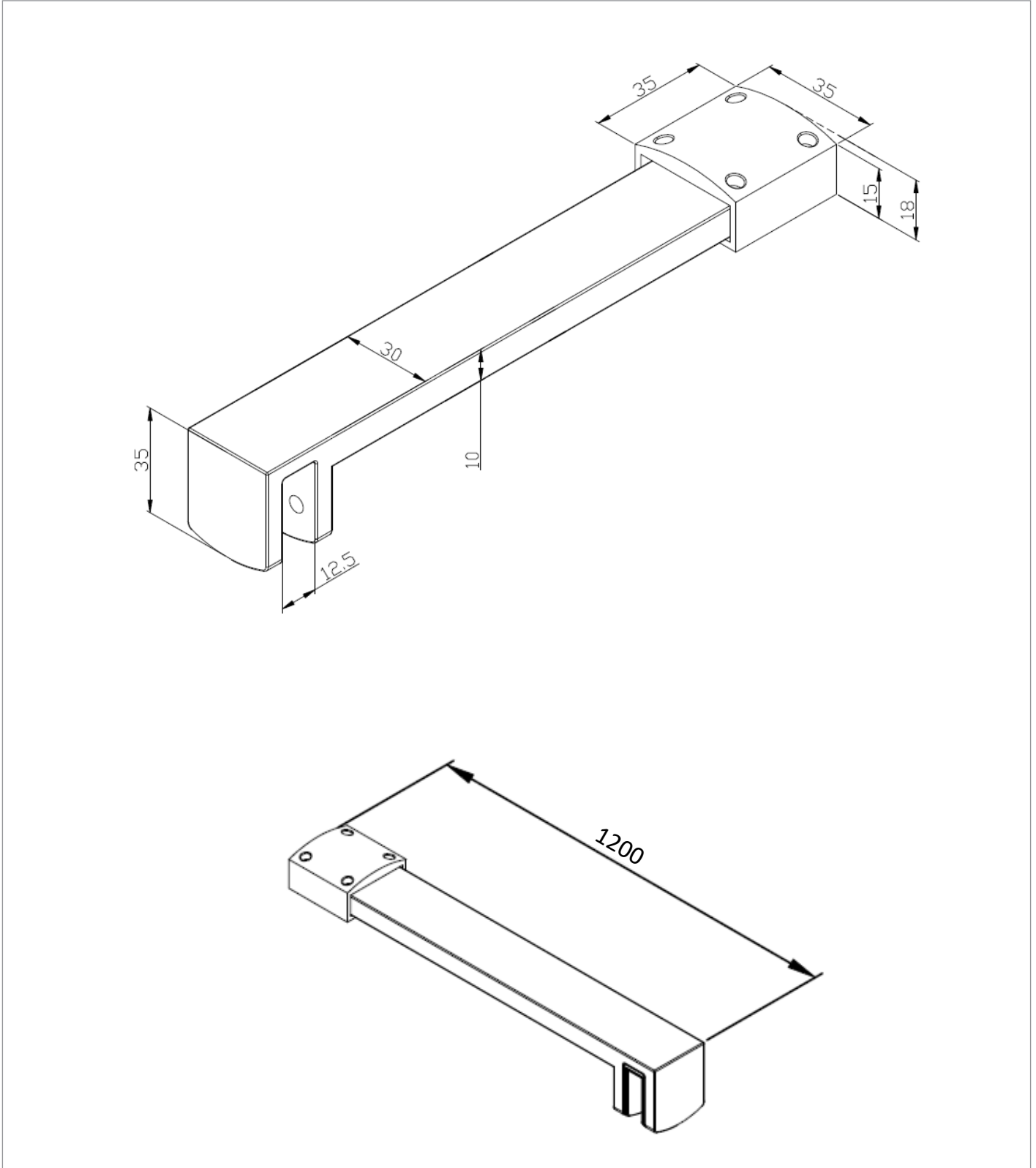
Burlington Glass Wall Brace Polished Stainless Steel

CATEGORY	Showering
WARRANTY DETAILS	2 Years
COLOUR	Polished Stainless Steel
FINISH APPLICATION	PVD
PRIMARY MATERIAL	304 Stainless Steel
INSTALL TYPE	Wall Mounted
PRODUCT WIDTH MM	35
PRODUCT LENGTH MM	1200
PRODUCT DEPTH MM	35
PRODUCT NET WEIGHT KG	1.1
STANDARDS	EN14428

TECHNICAL DIMENSIONS

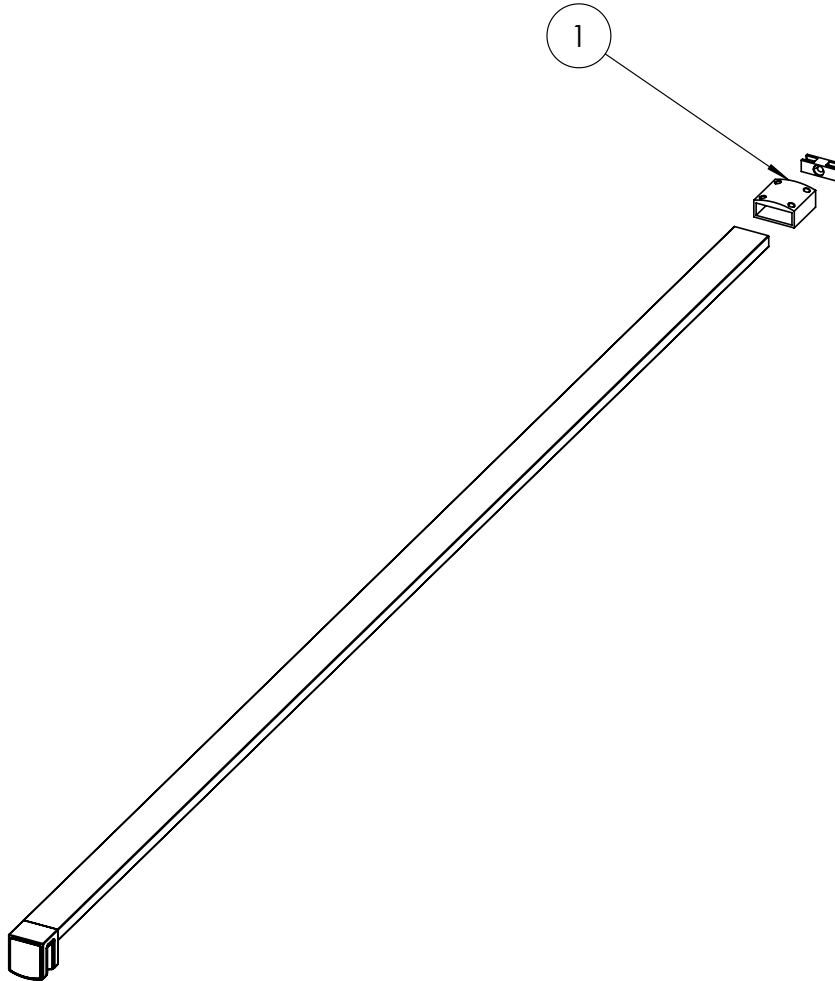
Dimensions in mm unless otherwise specified.

Tolerances (per material type) apply.



SPARES LIST

Only the parts labelled are available as spares.



NUMBER	PART CODE	DESCRIPTION
1	SP1754	Burlington Wall Brace Brushed Nickel
	SP1755	Burlington Wall Brace Polished Stainless
	SP1756	Burlington Wall Brace Gold