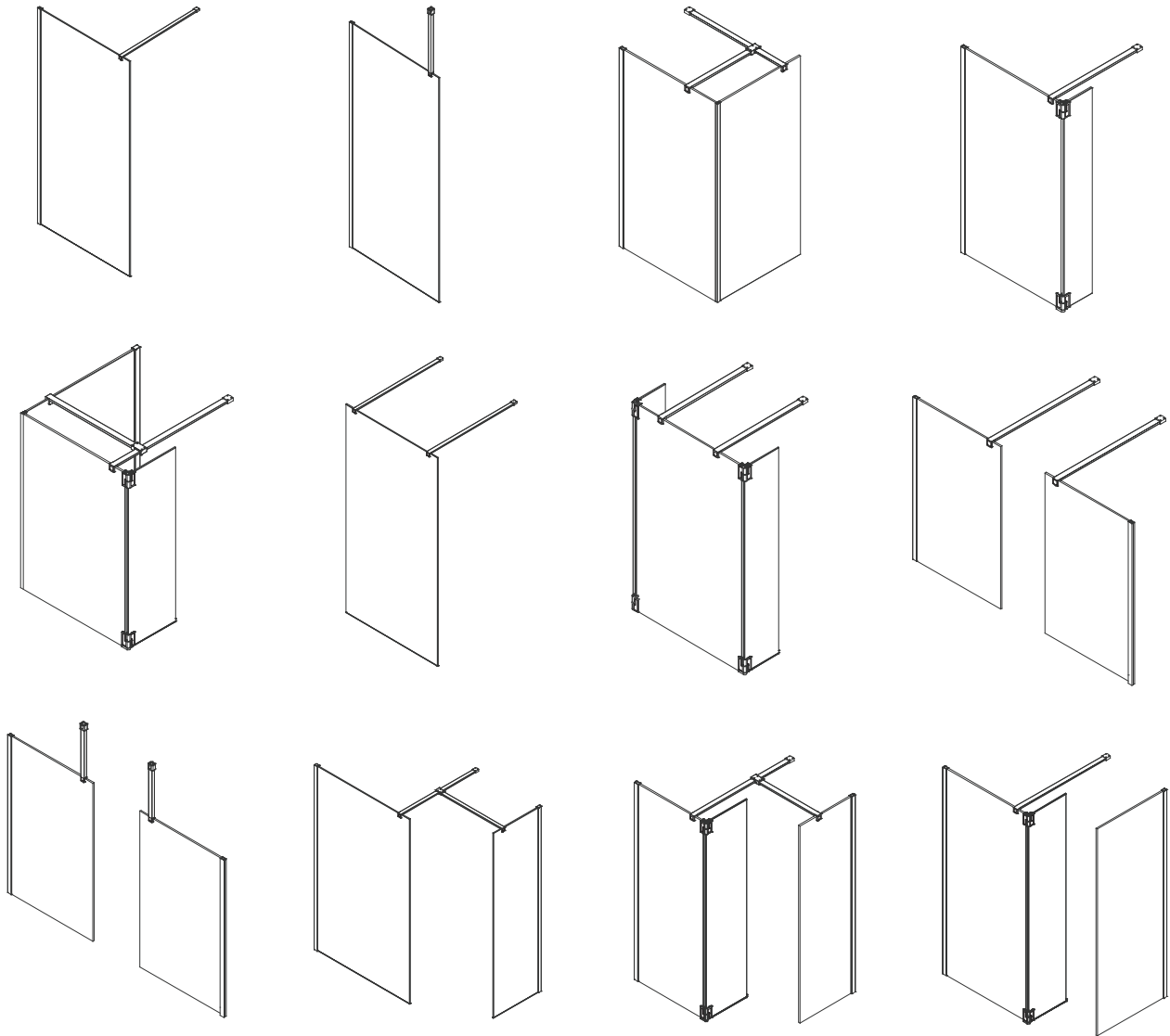


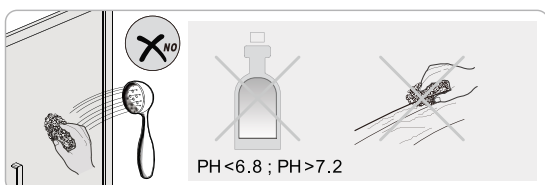
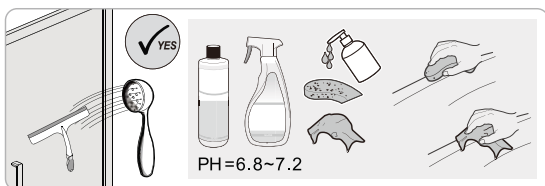
# BURLINGTON WALK IN SYSTEM

Manufactured to: BS EN14428

**IMPORTANT**  
BEFORE STARTING THE INSTALLATION ENSURE ALL THE DOOR SIZE  
MEASUREMENTS CORRESPOND WITH THE INSTALLATION AREA  
INCLUDING THE FINISHED TILED/PANELLED WALLS.  
RETURNS DUE TO INCORRECT SIZING WILL NOT BE ACCEPTED.



We recommend the entry width the above configurations is a minimum of 500mm



## INSTALLATION INSTRUCTIONS

*Burlington*<sup>®</sup>

## IMPORTANT - Please read before installation

**Please read these instructions carefully before starting installation and keep in a safe place for future reference.**

Check the contents of the pack carefully before installation. BathroomBrands will not be held responsible for any de-fit / re-fit costs where faulty product has been fitted.

If any fault is found with materials or workmanship, it must be reported immediately to the manufacturer. Remedial action will be taken, based on information received, on condition that:

1. Full details are supplied to the manufacturer;
2. The enclosure has not been modified or tampered with;
3. The manufacturer is informed of any damage/shortages prior to installation.

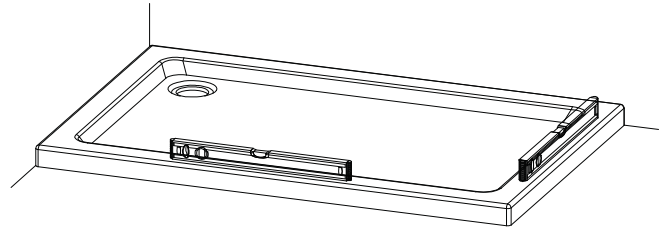
We do not accept responsibility for any problems that may occur through incorrect installation.

The success of the installation and operation of any shower enclosure is, of course, dependant on the squareness, alignment and construction of the walls to which fixing is to be carried out.

Ensure that the product can be fixed to a solid masonry wall or suitable timber stud work grade C16/C24 in the area behind the wall frames and panel fixing brackets.

### VERY IMPORTANT

You must complete all tiling and grouting, and the shower tray **MUST** be level and fully sealed to the tiles before installation. If you do not fit the enclosure onto a tiled surface, or seal the tiles to the tray before installation, water may soak into the wall behind the wall profiles.



If fitting a tray we recommend a drainage test is carried out before the tray is tiled in position.

## INSTALLATION - Advise and safety

The installation instructions are based on typical use and conditions.

These hints have been prepared for your guidance, you must exercise due care at all times.

For Health and Safety 2 people must carry out the installation of this enclosure.

Handle glass with care. Although the glass supplied is toughened safety glass (EN12150), impacts can damage both the glass and the frame.

### Warning!

Please check for any hidden pipes or cables before drilling holes in the wall.

When using power tools always follow the manufacturers user instructions.

If the Framework is sealed to the tray on the inside, any water that may get into the framework will not be able to drain back into the tray, this may cause the enclosure to leak.

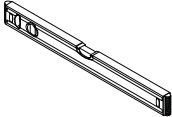

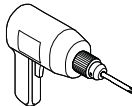
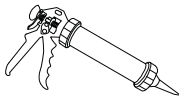

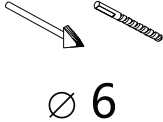
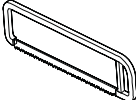

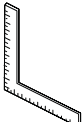
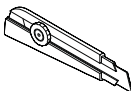

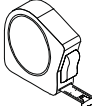
Leave the silicone sealant to dry for 24 hours before using the enclosure.

## CARE AND CLEANING

Do not use solvents or abrasive material or chemicals to clean the enclosure.

Only clean using soapy water and soft cloth, rinse thoroughly afterwards.

### Installation tool

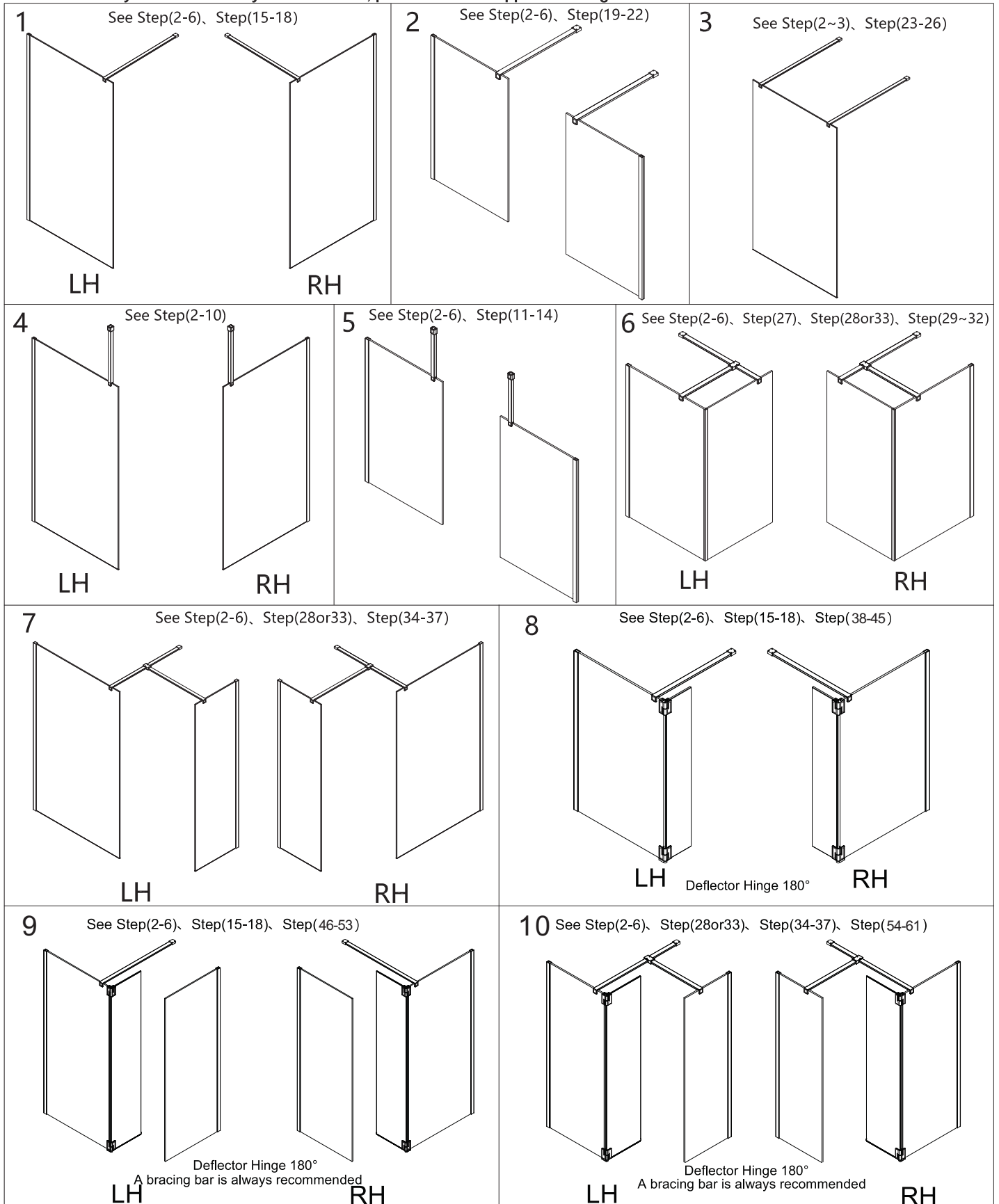
|   |   |  |   |
|---|---|--|---|
|  |  |  |  |
|  |  |  |  |
|  |  |  |  |

## INSTALLATION - Left and Right hand (All doors are 2000mm high)

This product is reversible for left or right hand opening.

Please follow the diagram, and detail below for your choice of installation.

**Note: Easy Clean must always on the inside, please see label applied to the glass.**

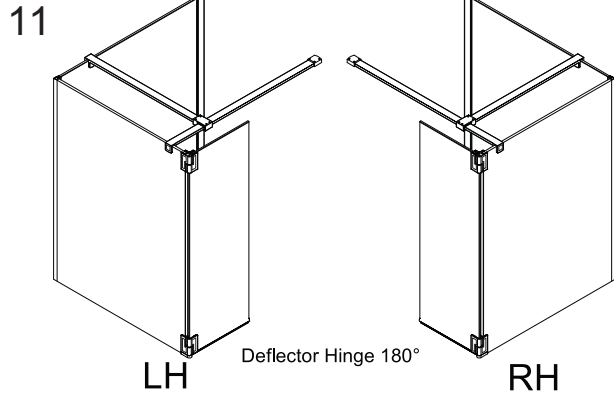


## INSTALLATION - Left and Right hand (All doors are 2000mm high)

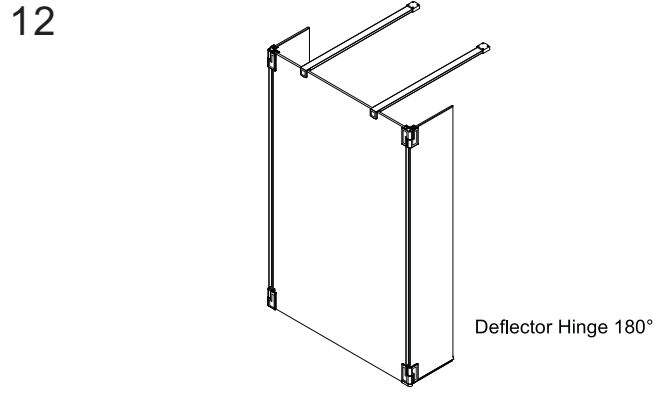
This product is reversible for left or right hand opening.  
Please follow the diagram, and detail below for your choice of installation.

**Note: Easy Clean must always be on the inside, please see label applied to the glass.**

See Step(2-6), Step(27), Step(28or33), Step(29~32), Step(62-69)

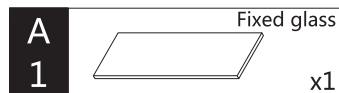
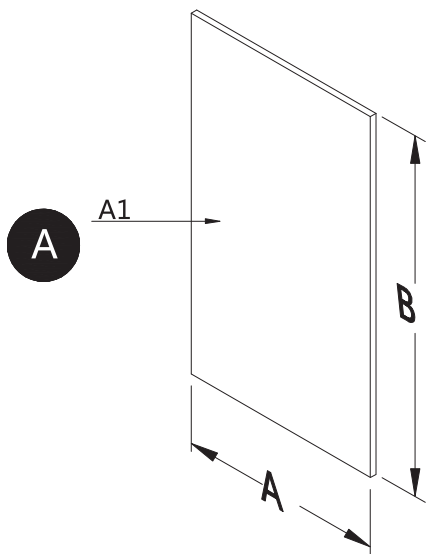


See Step(2~3), Step(23-26), Step(70-79)



## Components

### Fixed glass

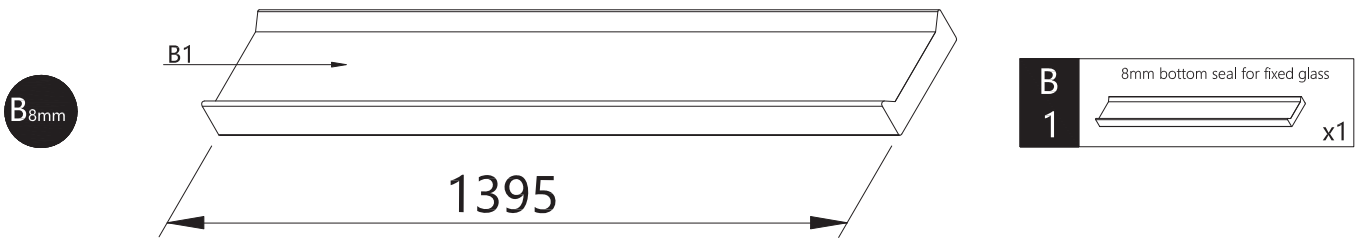


| 8mm Glass Code | A(mm) | B(mm) |
|----------------|-------|-------|
| BU030008CF     | 255   | 1997  |
| BU040008CF     | 355   | 1997  |
| BU050008CF     | 455   | 1997  |
| BU060008CF     | 555   | 1997  |
| BU070008CF     | 655   | 1997  |
| BU080008CF     | 755   | 1997  |
| BU090008CF     | 855   | 1997  |
| BU100008CF     | 955   | 1997  |
| BU110008CF     | 1055  | 1997  |
| BU120008CF     | 1155  | 1997  |
| BU140008CF     | 1355  | 1997  |

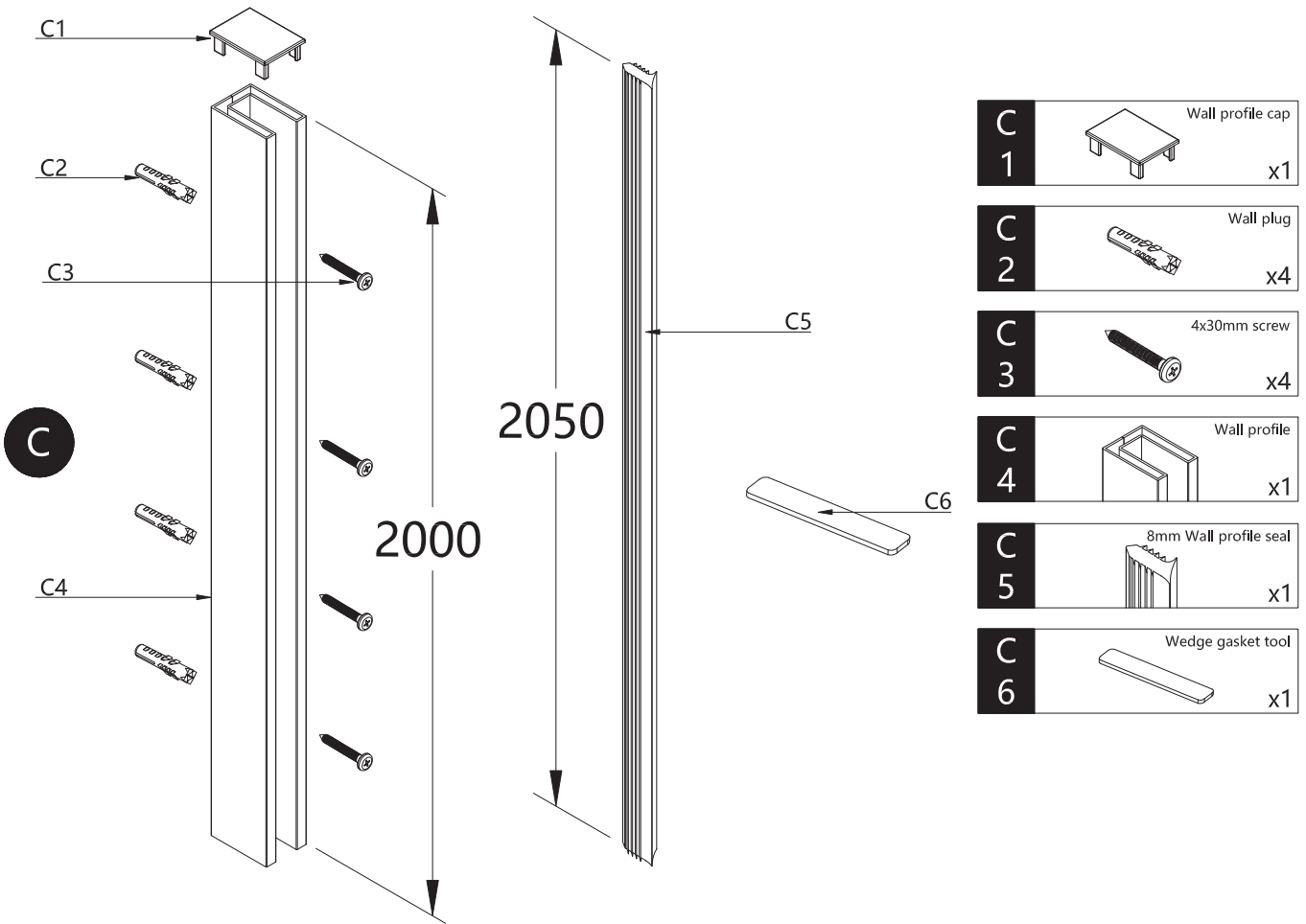
**Note:**  
Glass tolerance is +/-2.5mm for A and B above +/-0.3mm for thickness

## Components

### Bottom seal for fixed glass ( BUSEAL1400X8 )



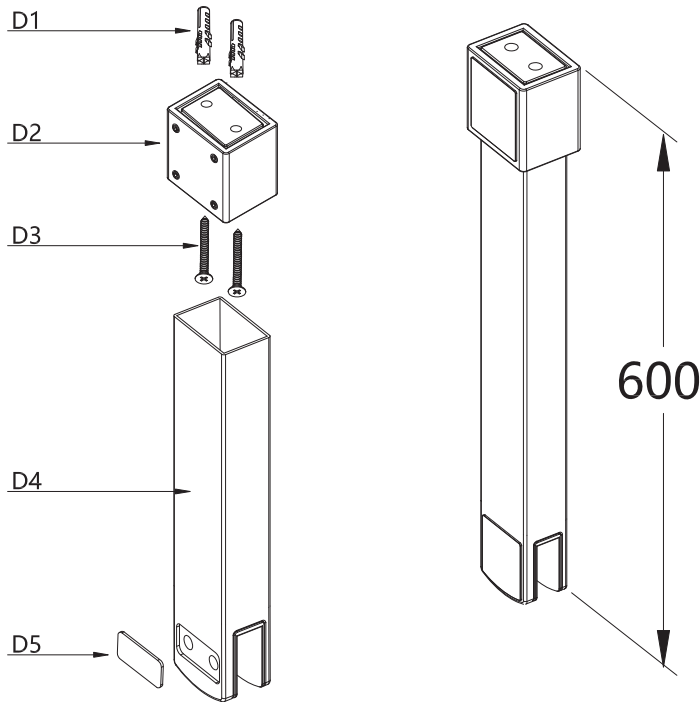
### Wall profile ( BUPROFILEC ) ( BUPROFILEGO ) ( BUPROFILEL )





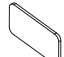
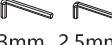


## Components

### Ceiling to glass bracing bar (BUCEILBRACEC) (BUCEILBRACEGO) (BUCEILBRACEL)

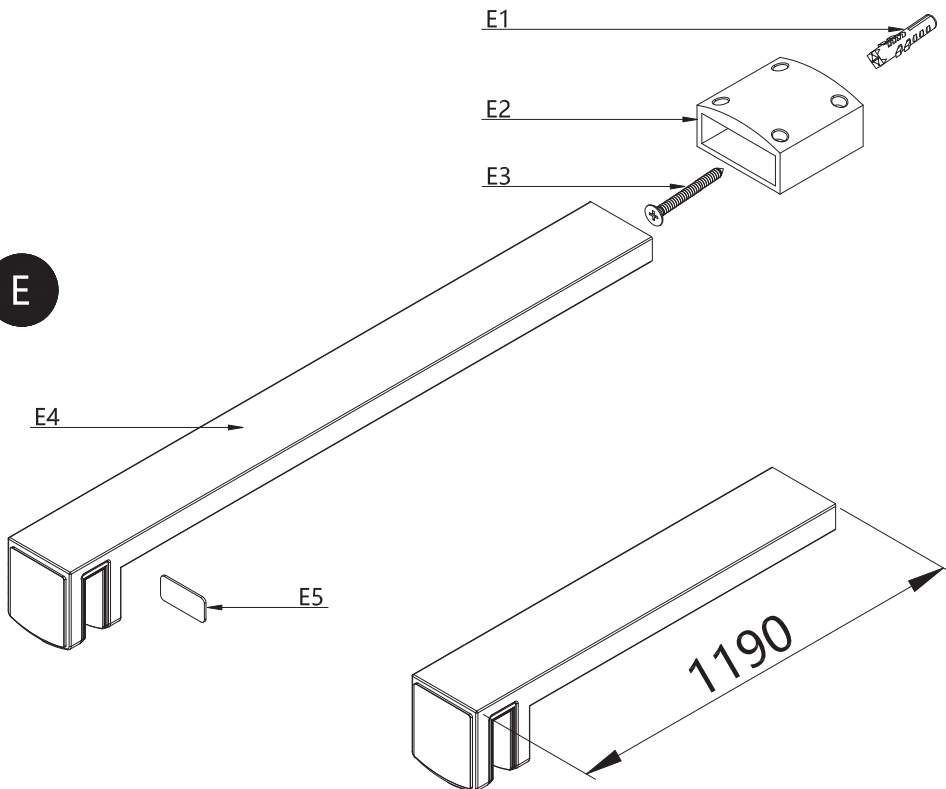
**D**


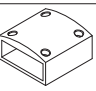

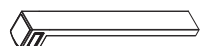
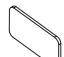



|     |   |                        |    |
|-----|---|------------------------|----|
| D 1 |  | Wall plug              | x2 |
| D 2 |  | Ceiling bracket        | x1 |
| D 3 |  | 4x40mm screw           | x2 |
| D 4 |  | Ceiling bracing bar    | x1 |
| D 5 |  | Screw cover            | x1 |
| D 6 |  | Allen Key<br>3mm 2.5mm | x2 |

### Glass to Wall Bracing Bar (BUBRACEC) (BUBRACEGO) (BUBRACEL)

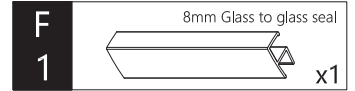
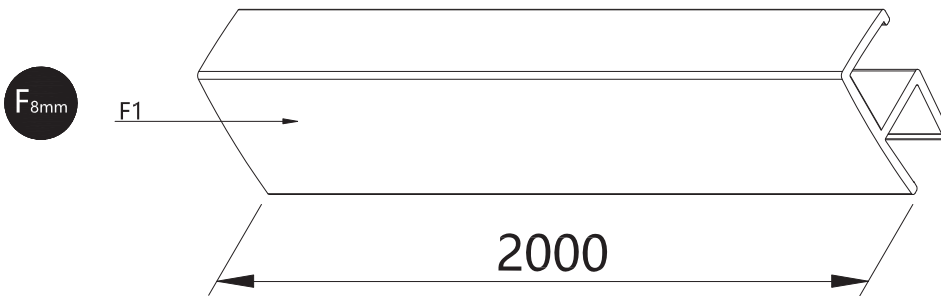
**E**



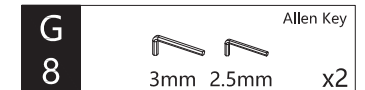
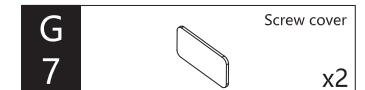
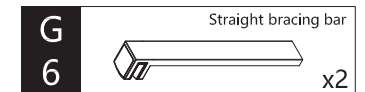
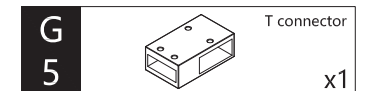
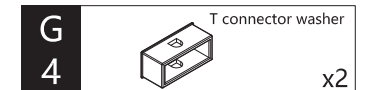
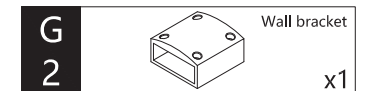
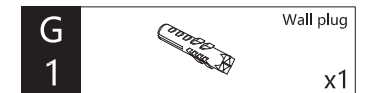
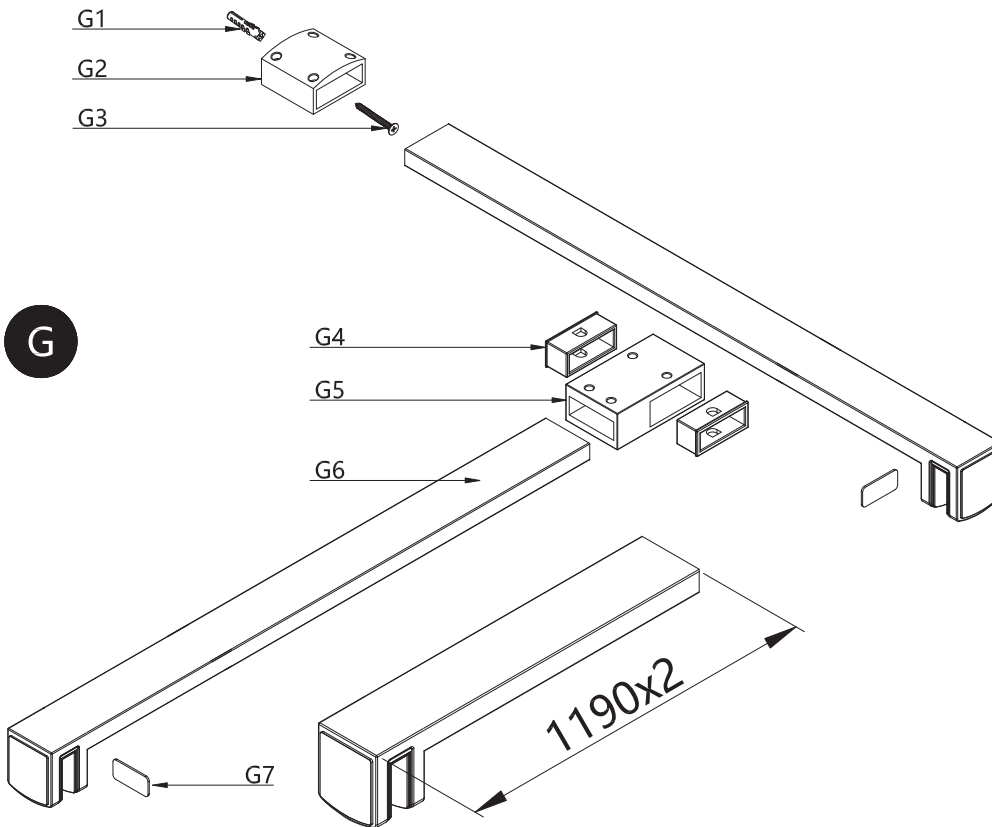
|     |   |                        |    |
|-----|---|------------------------|----|
| E 1 |  | Wall plug              | x1 |
| E 2 |  | Wall bracket           | x1 |
| E 3 |  | 5x45mm screw           | x1 |
| E 4 |  | Straight bracing bar   | x1 |
| E 5 |  | Screw cover            | x1 |
| E 6 |  | Allen Key<br>3mm 2.5mm | x2 |

## Components

### Glass to glass seal ( BUSEAL2000X8 )



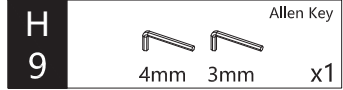
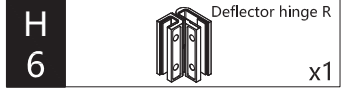
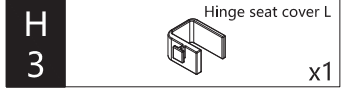
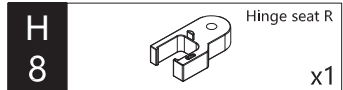
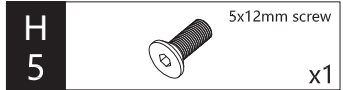
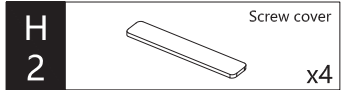
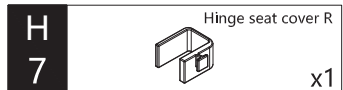
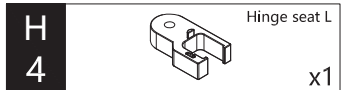
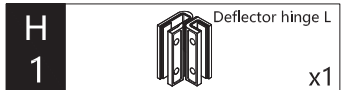
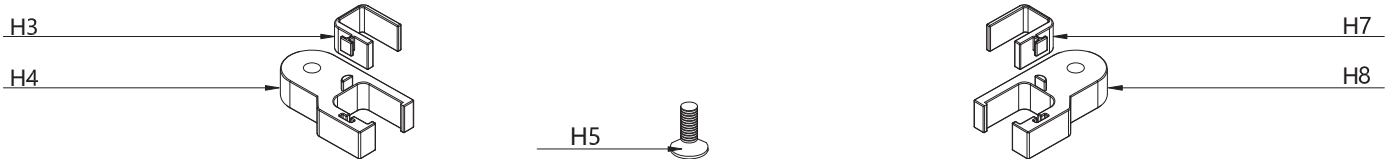
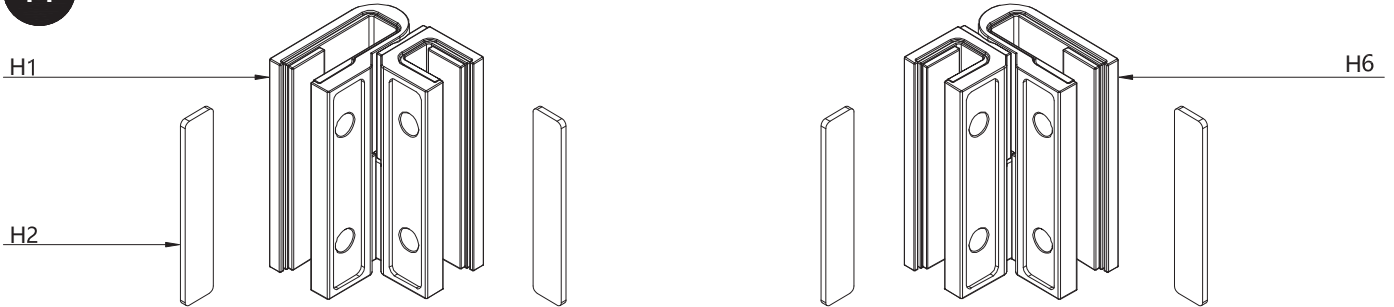
### T bracing bar ( BUTBRACEC ) ( BUTBRACEGO ) ( BUTBRACEL )



## Components

### Deflector Hinge 180° (BUDEFHINGEC) (BUDEFHINGEGO) (BUDEFHINGEL)

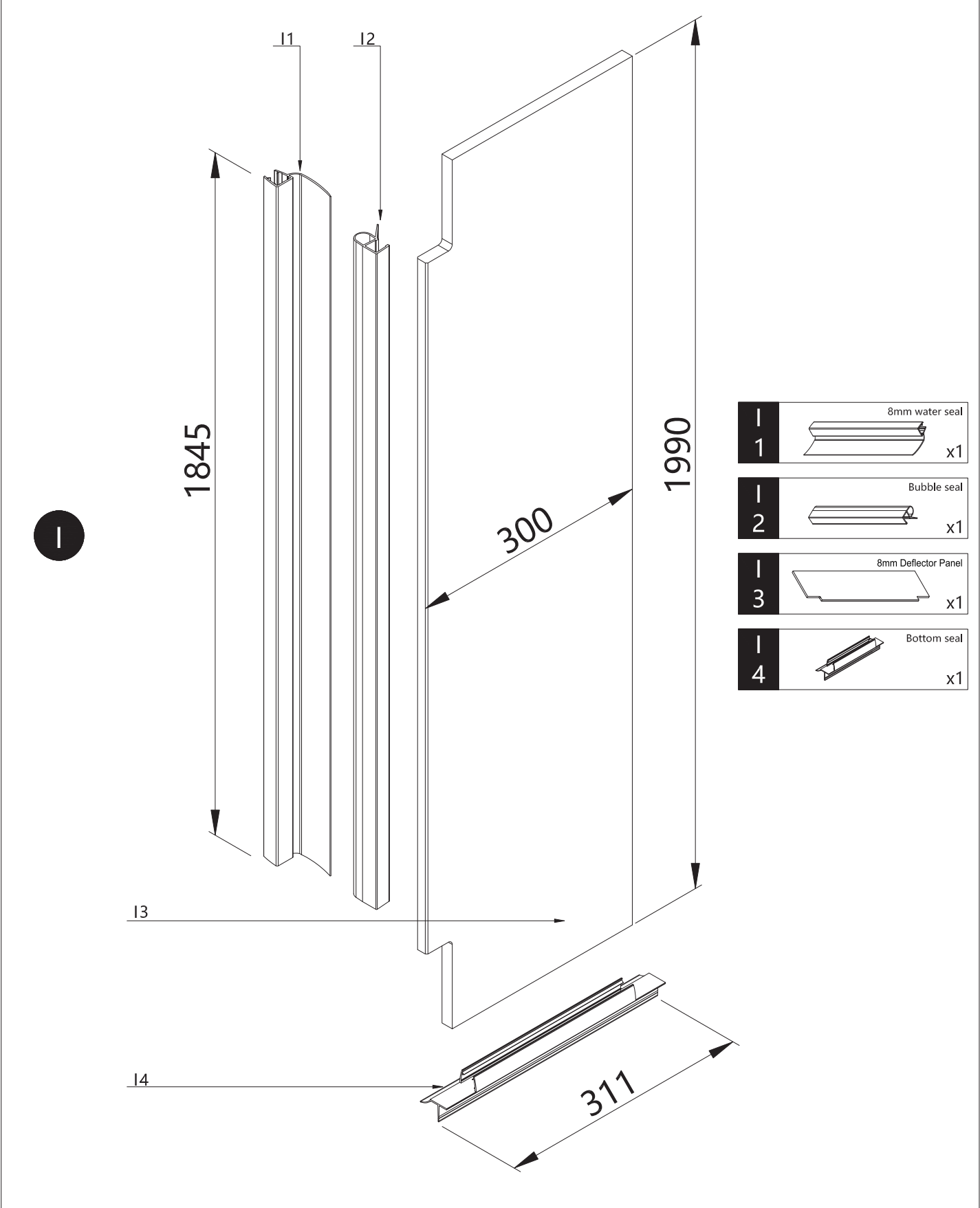
**H**



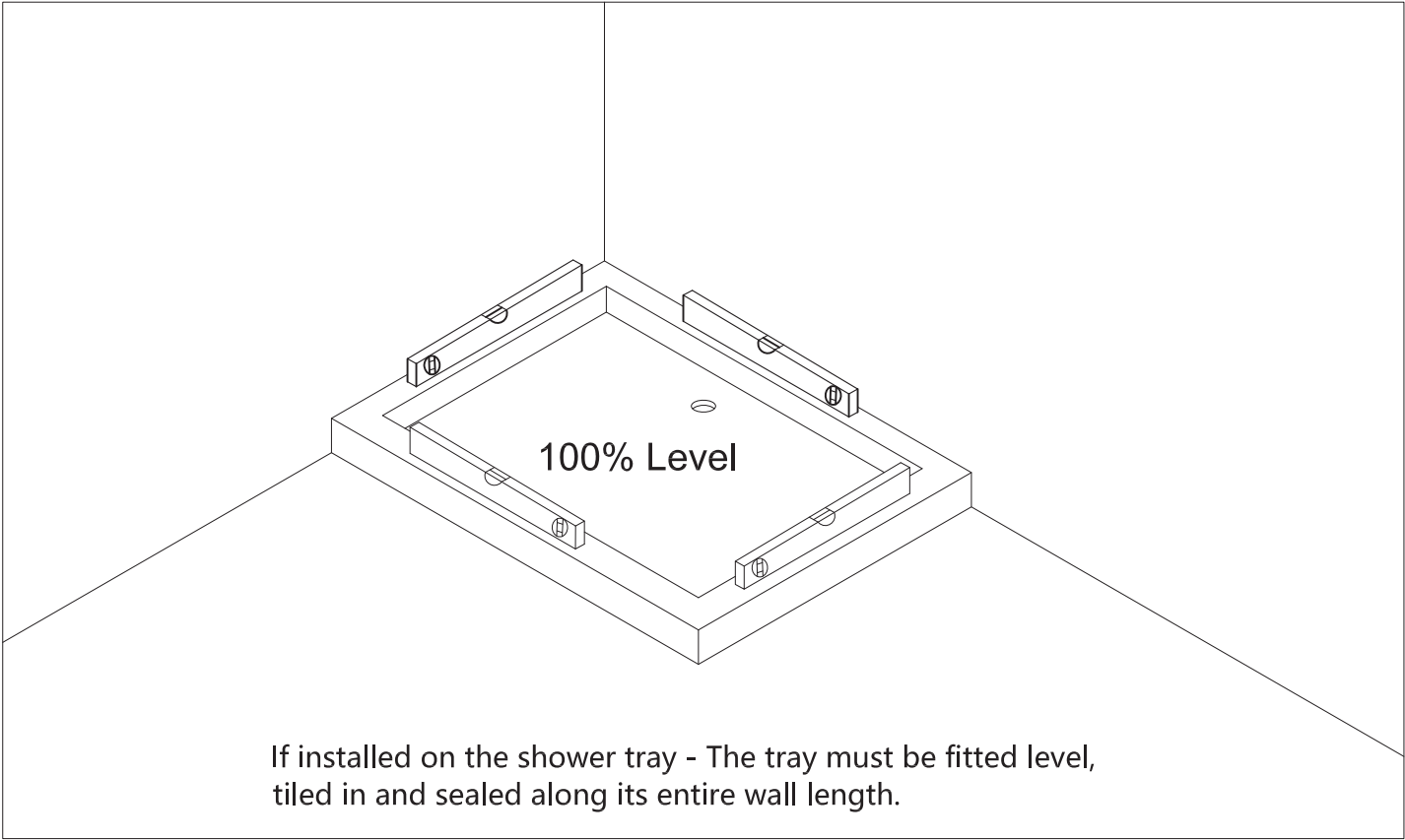


Components

Deflector Panel with seals (BUDEFLEC300)



## Step 1



## Step 2

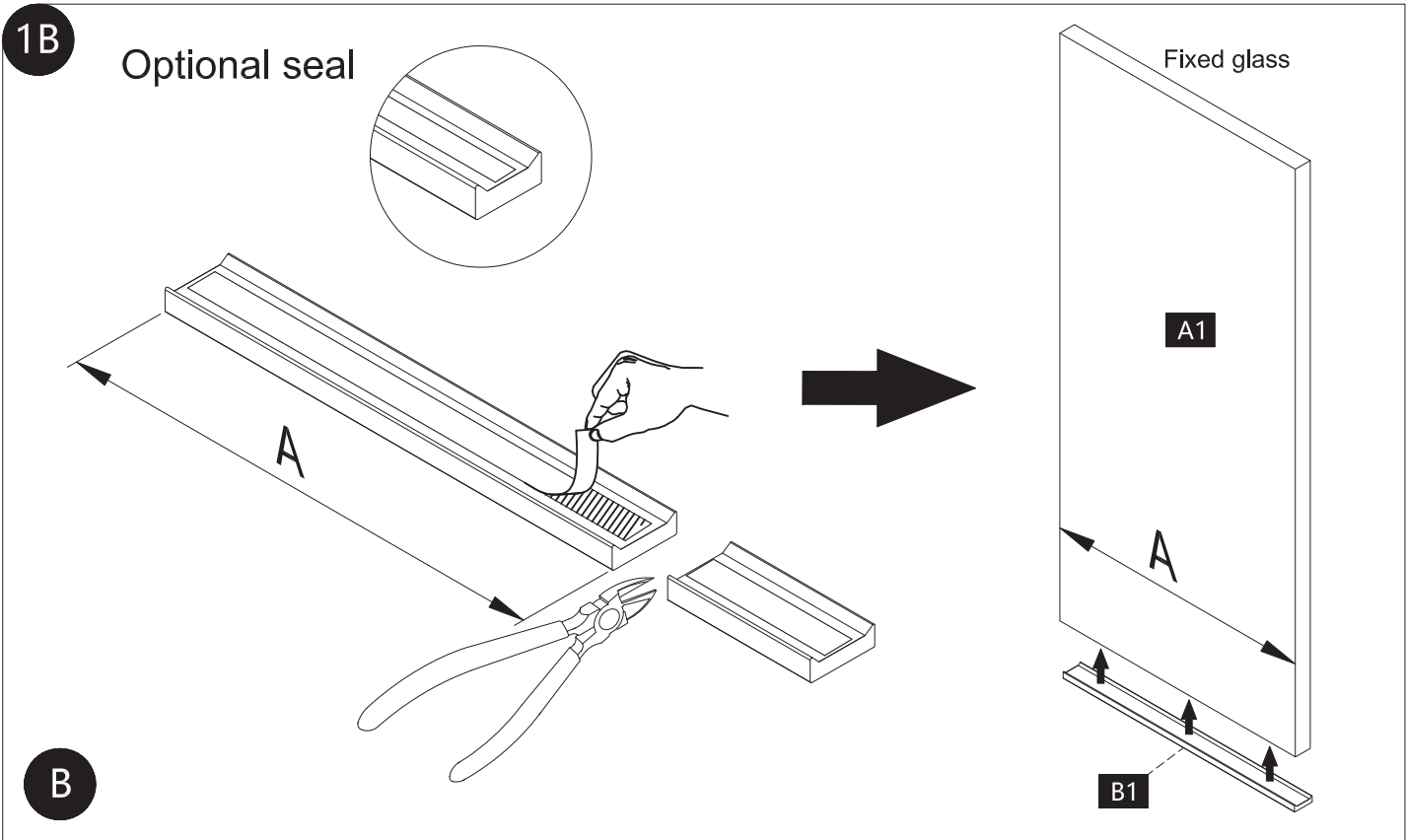
**1A**

Fixed glass

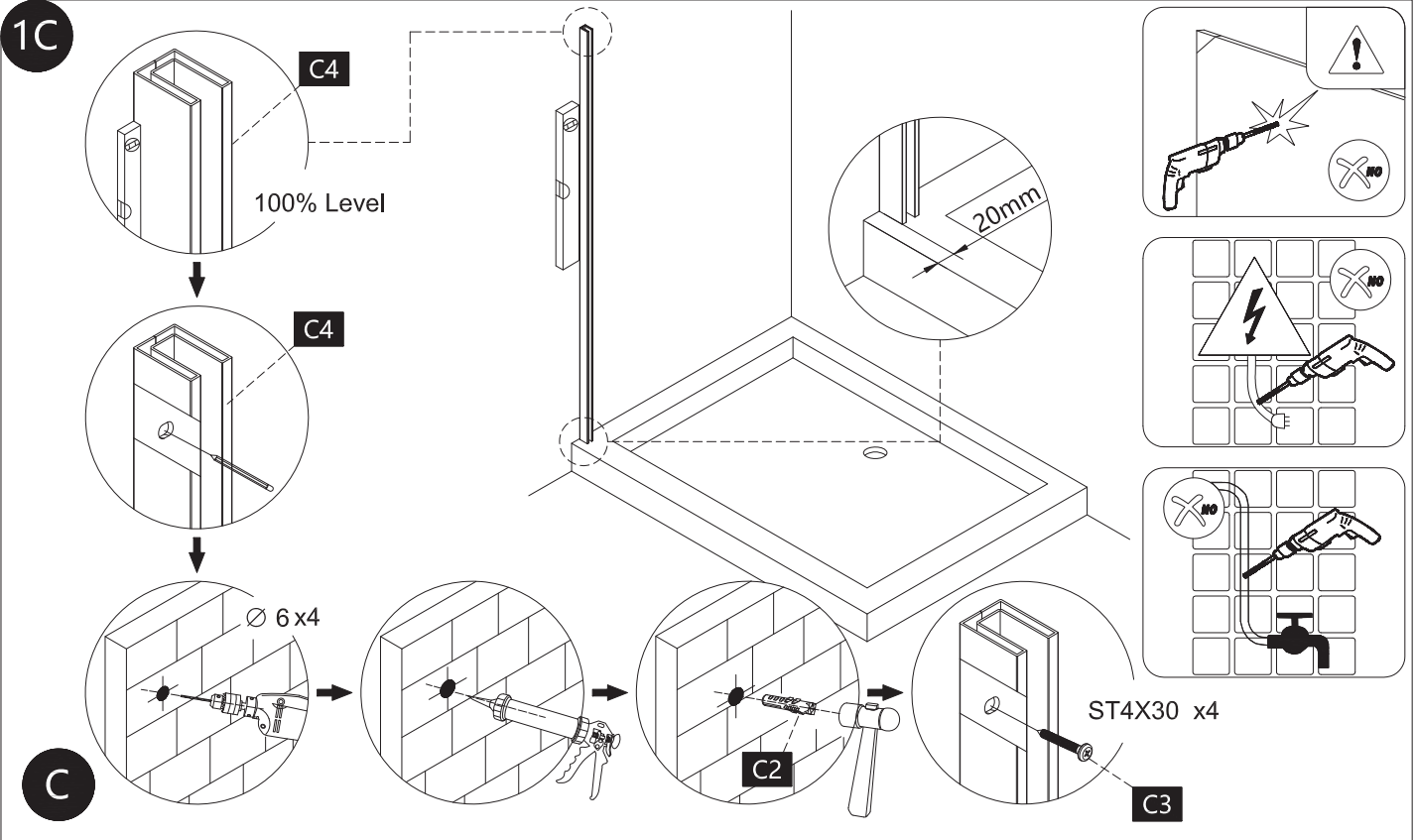
| 8mm Glass Code | A(mm) |
|----------------|-------|
| BU030008CF     | 255   |
| BU040008CF     | 355   |
| BU050008CF     | 455   |
| BU060008CF     | 555   |
| BU070008CF     | 655   |
| BU080008CF     | 755   |
| BU090008CF     | 855   |
| BU100008CF     | 955   |
| BU110008CF     | 1055  |
| BU120008CF     | 1155  |
| BU140008CF     | 1355  |

**Note:**  
Glass tolerance is +/-2.5mm for A and B above +/-0.3mm for thickness

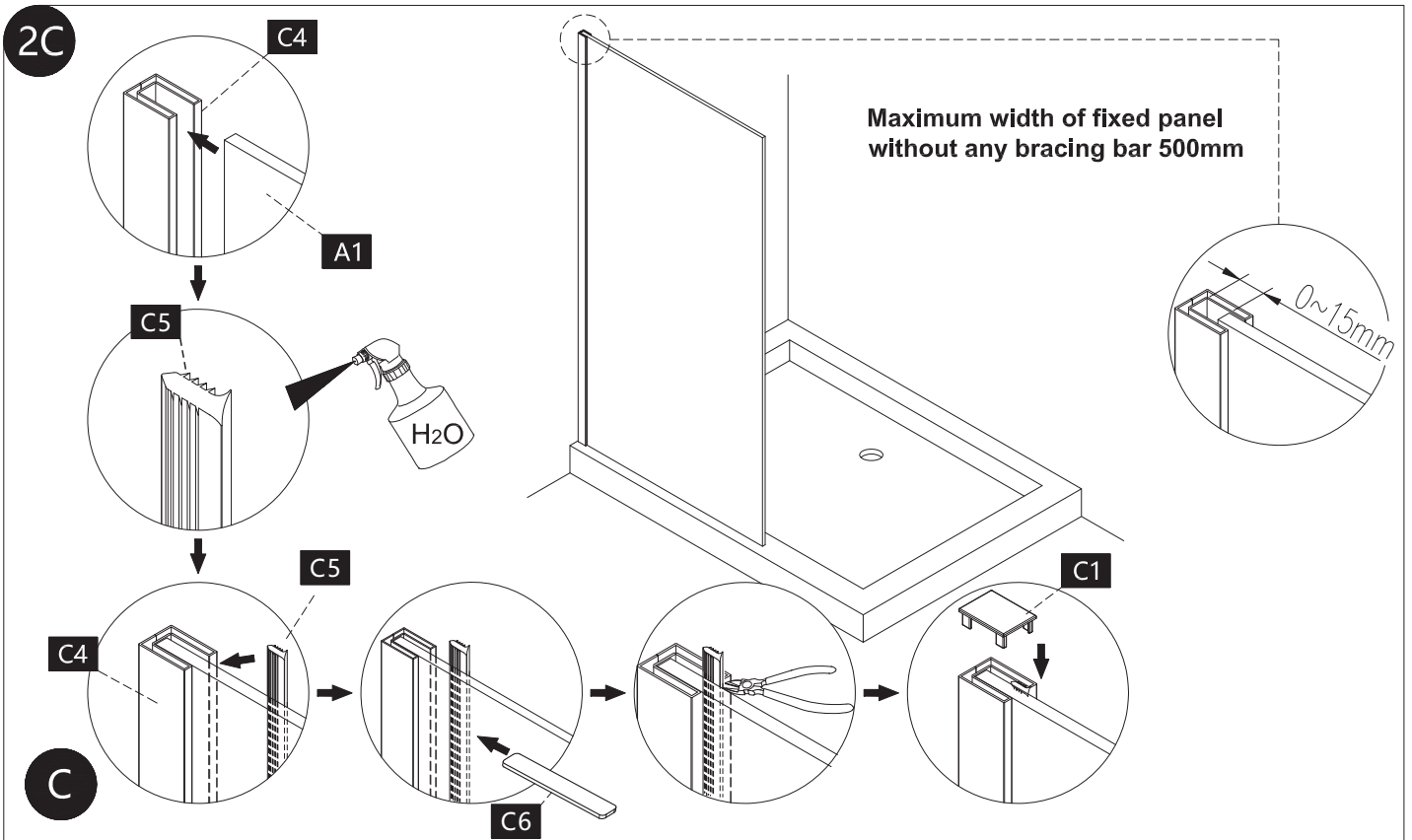
## Step 3



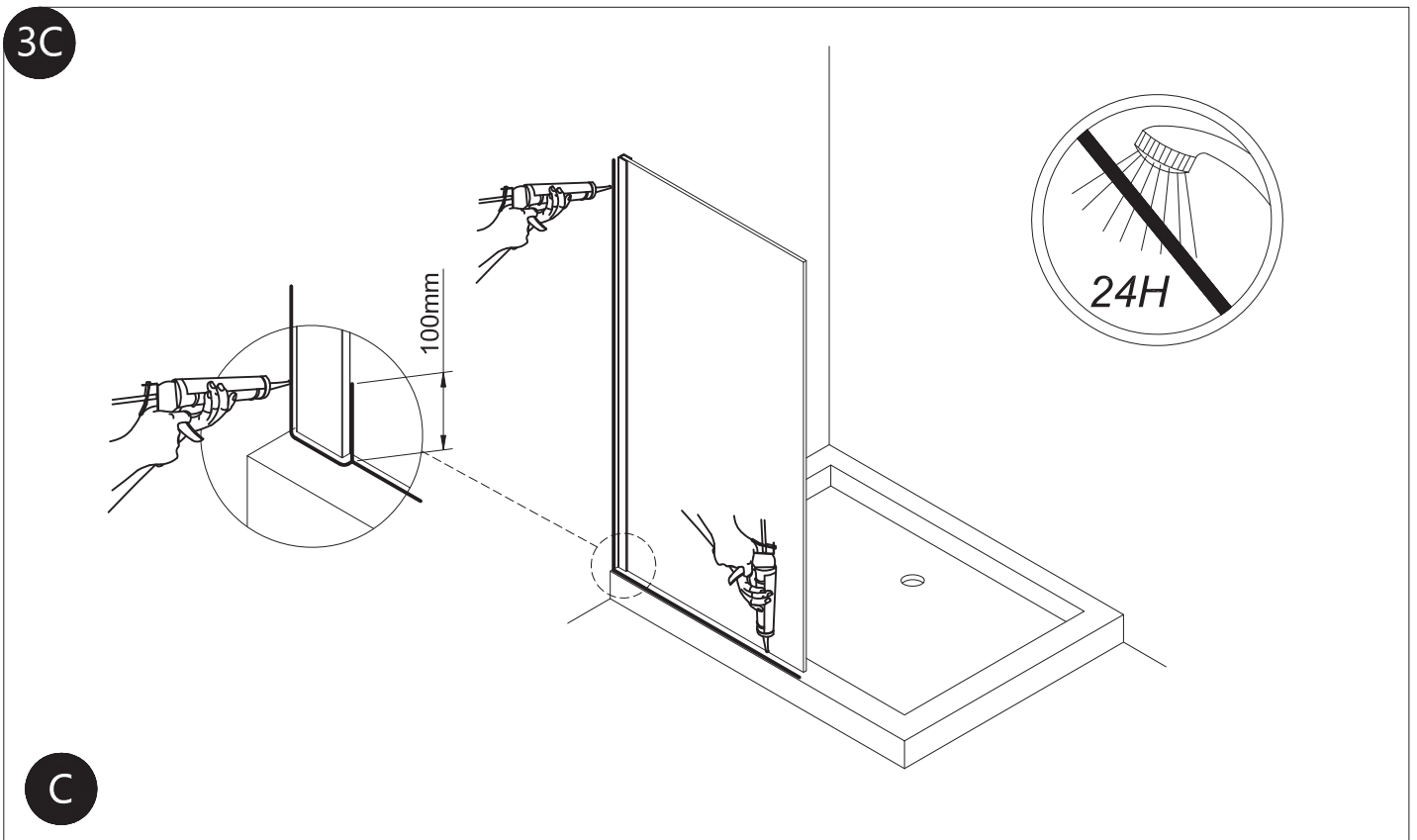
## Step 4



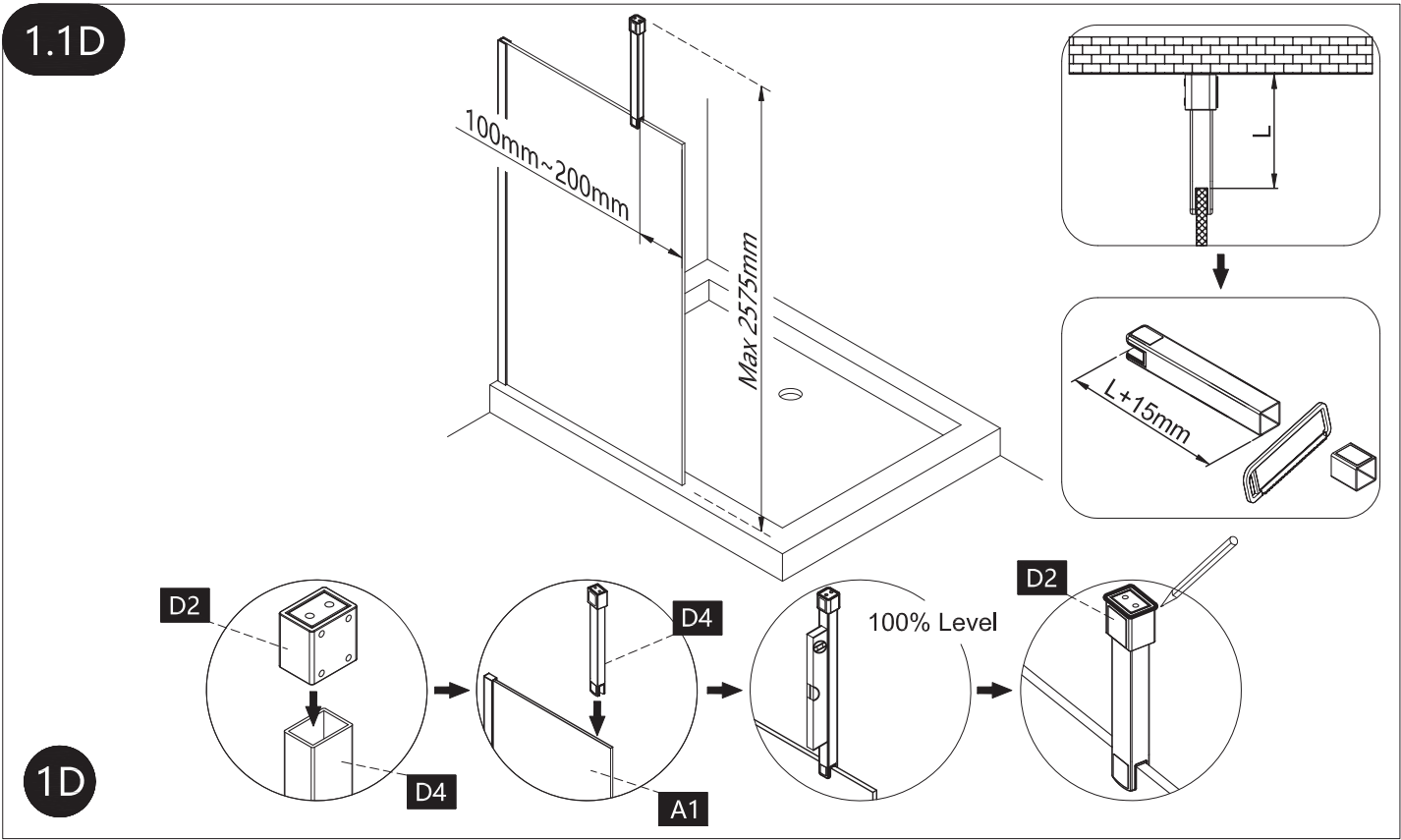
## Step 5



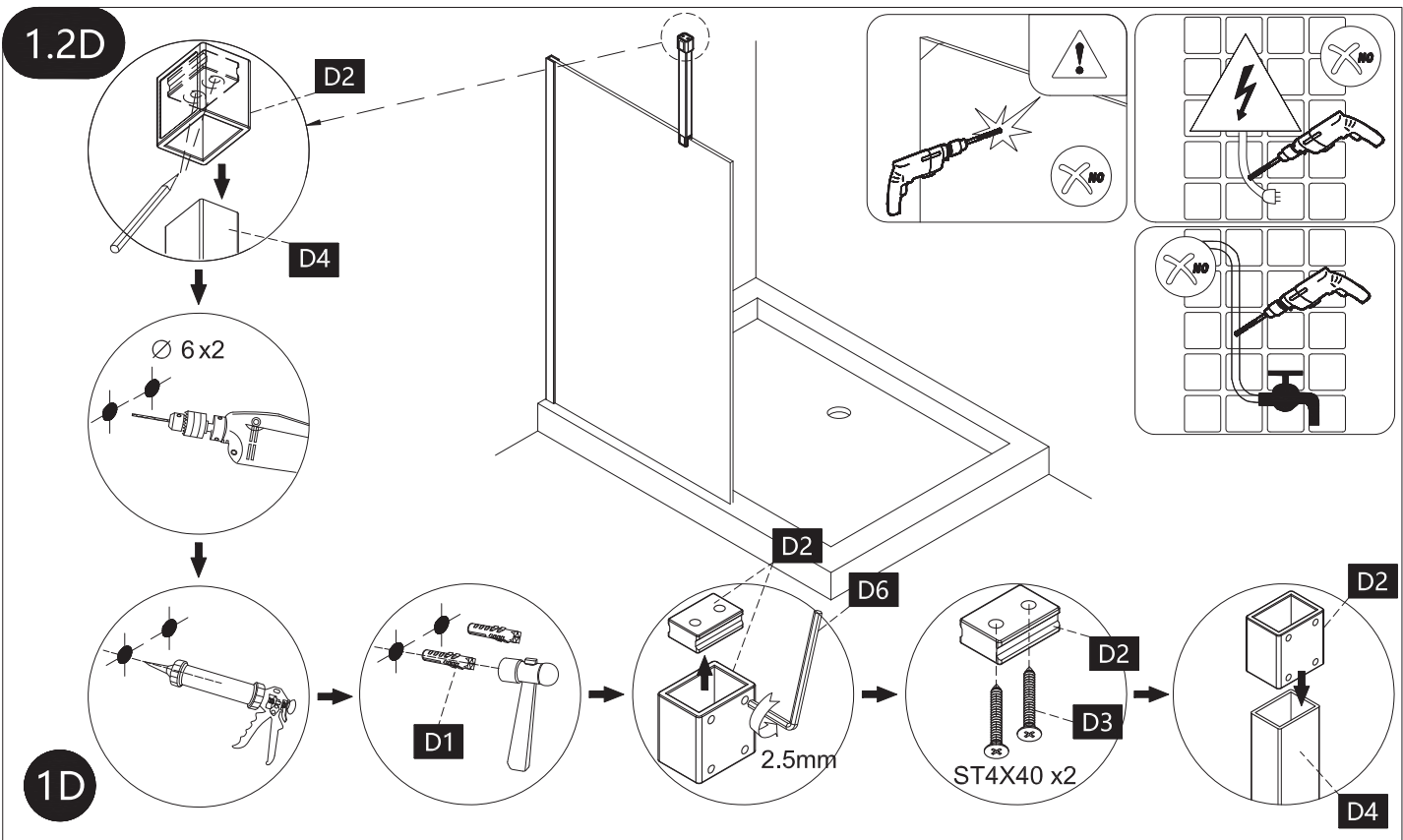
## Step 6



## Step 7 Fitting Ceiling to glass bracing bar

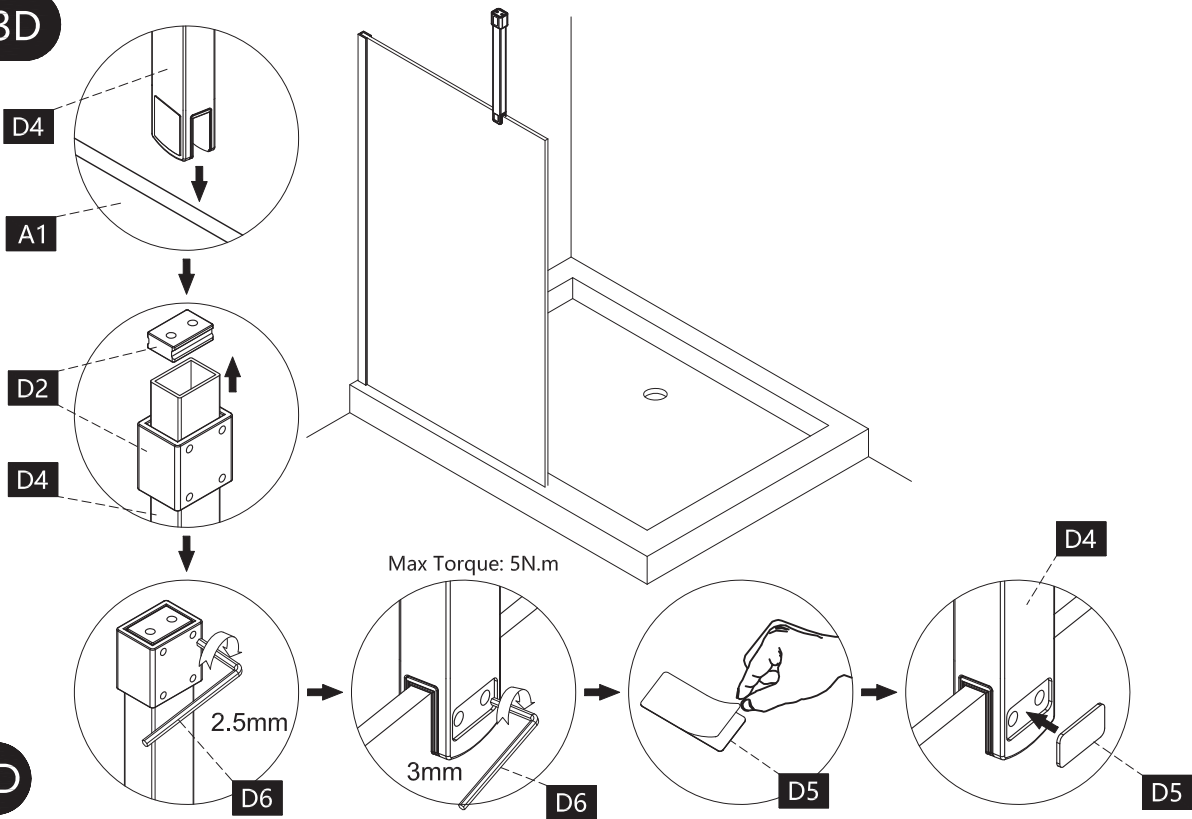


## Step 8



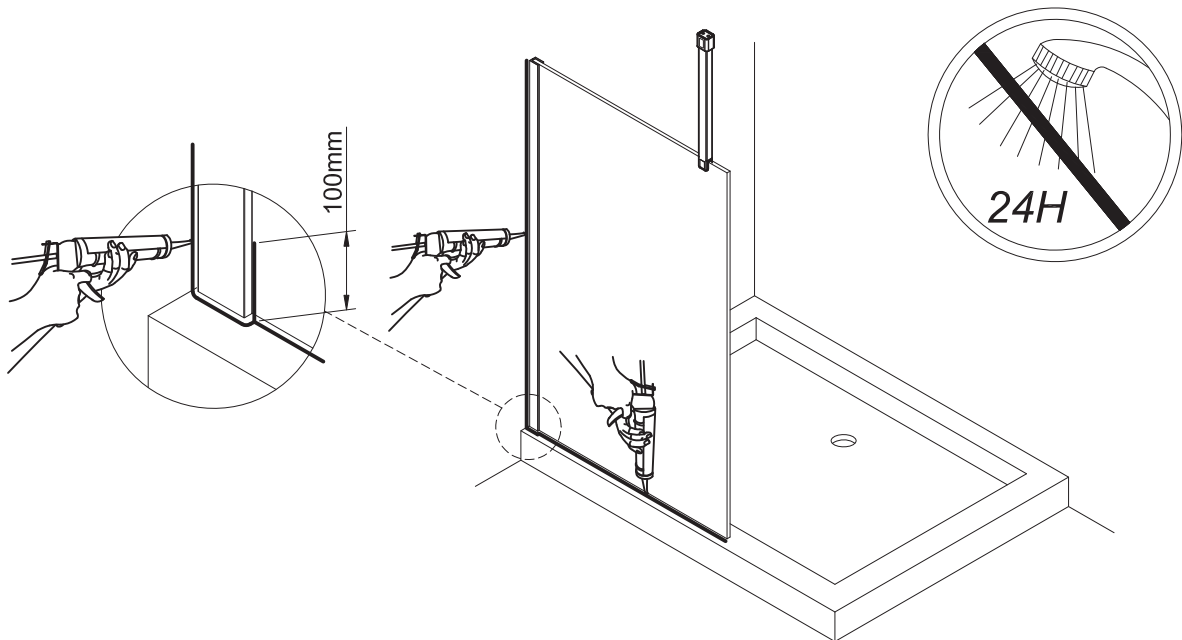
## Step 9

### 1.3D



## Step 10

### 1.4D



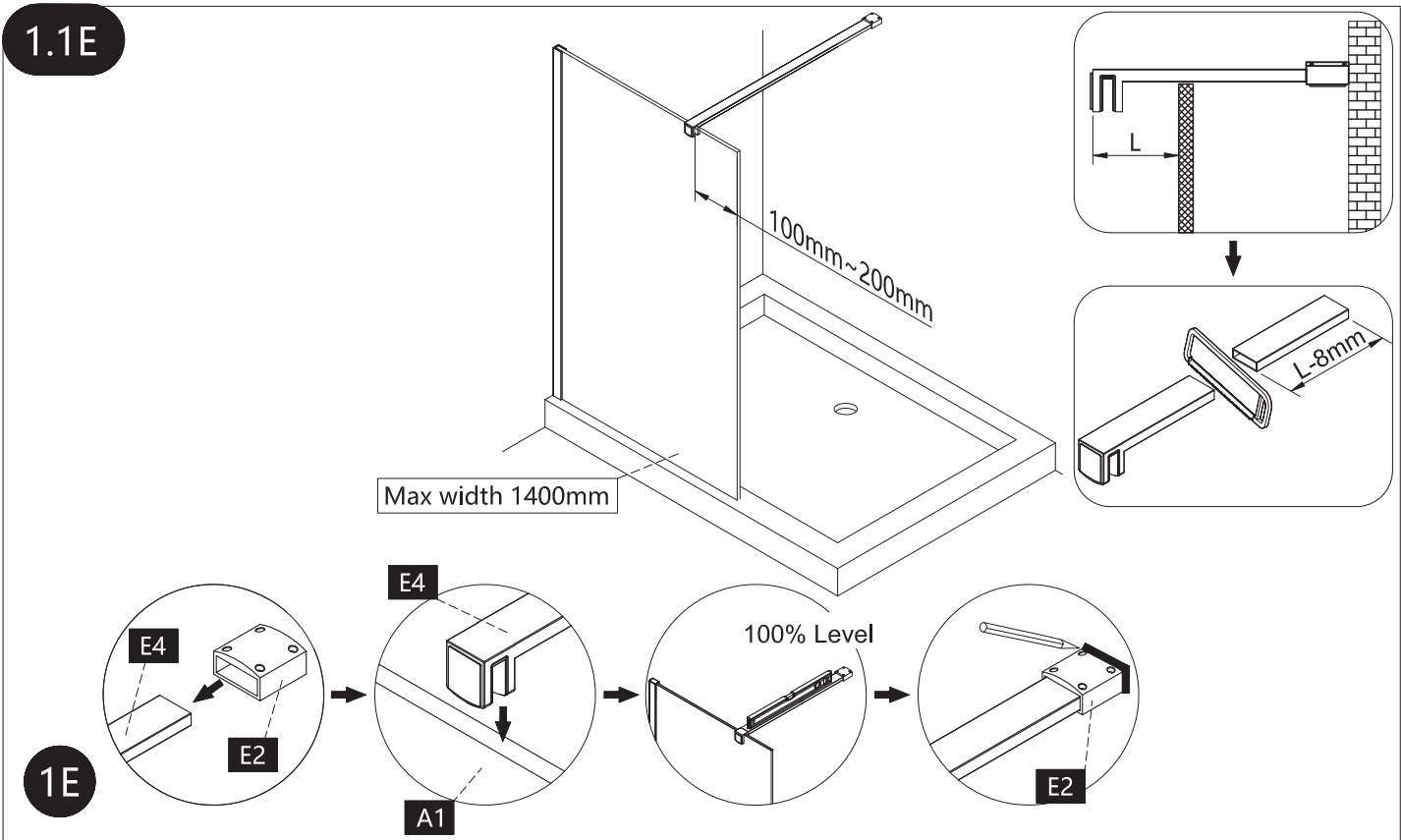
### 1D



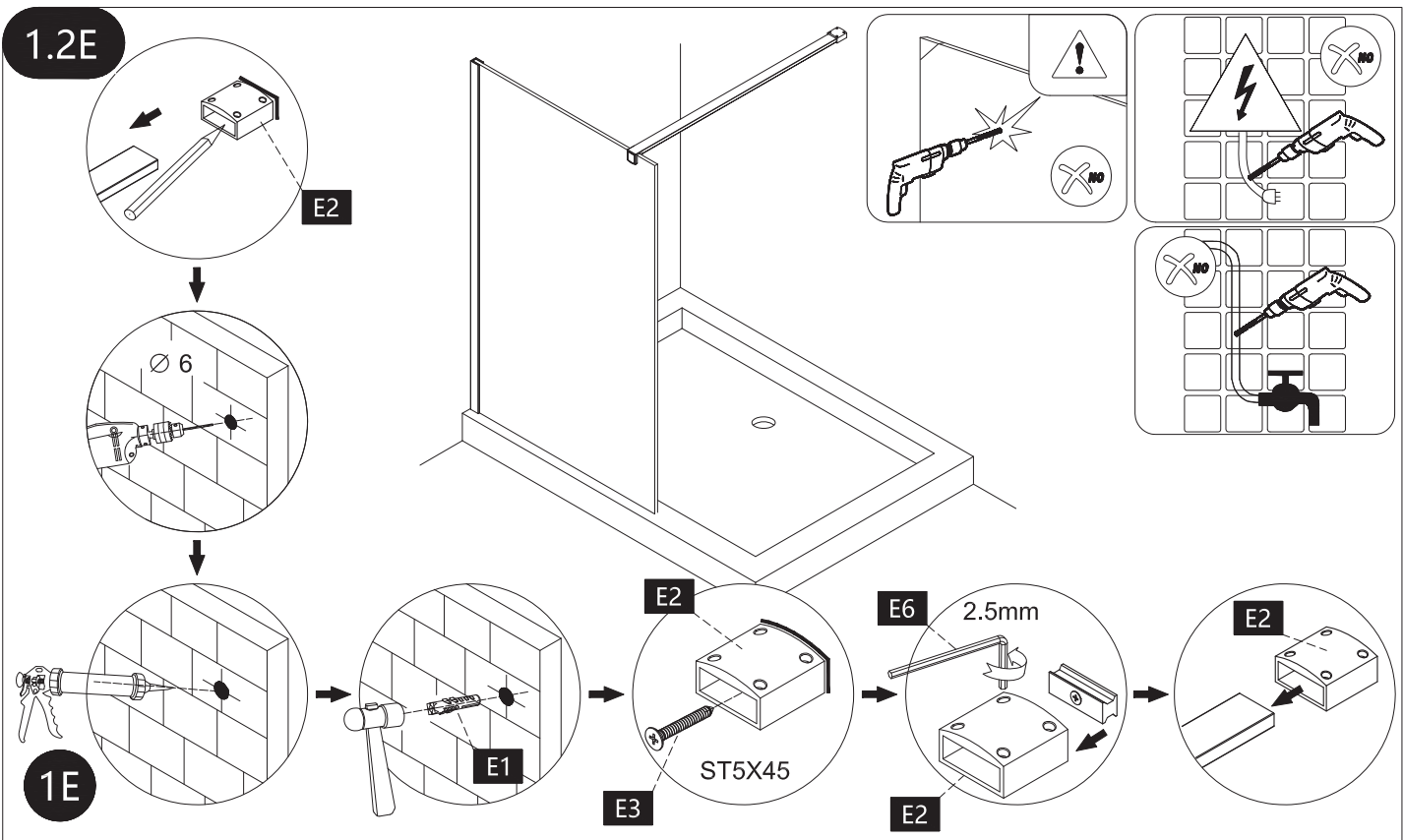




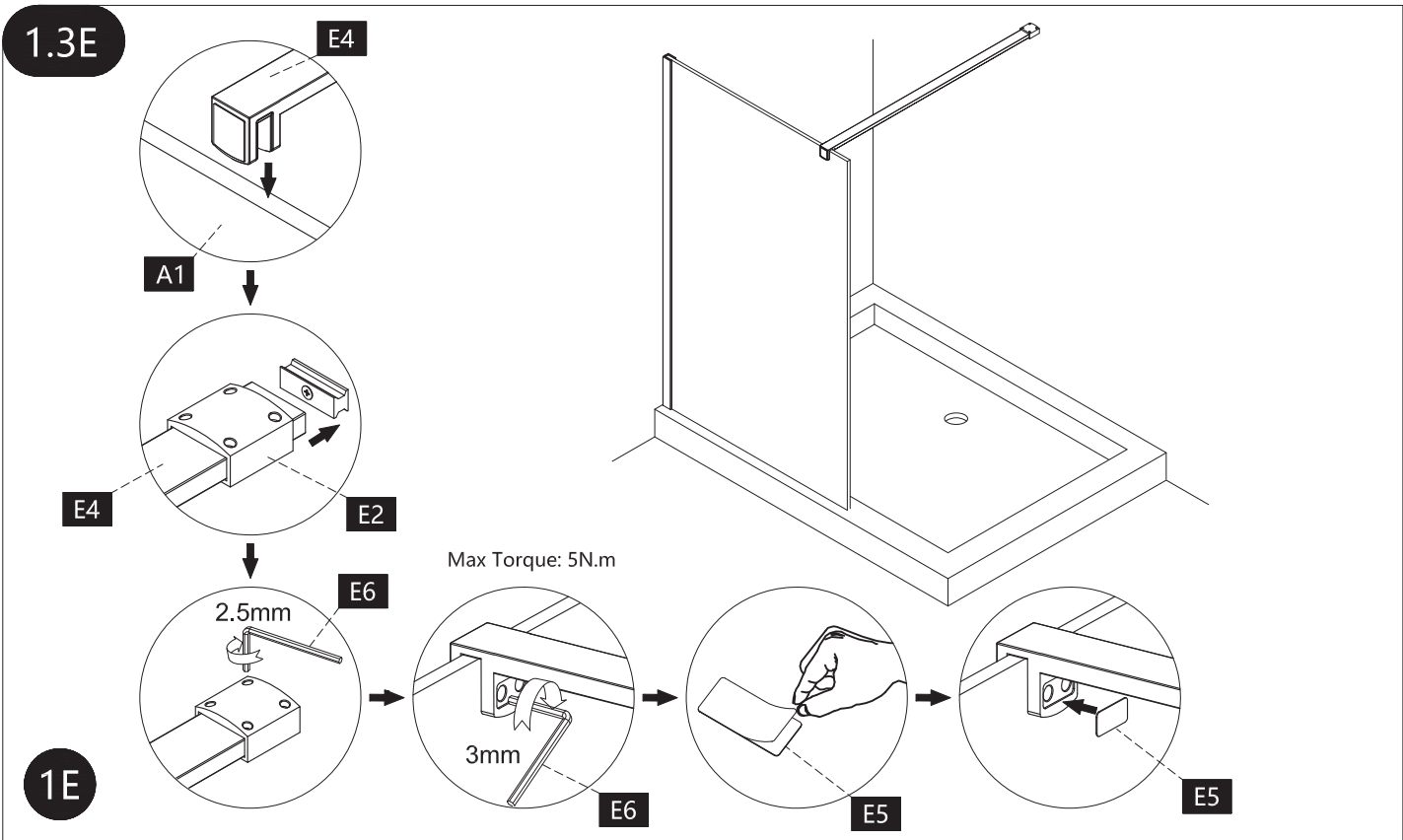
## Step 15 Fitting glass to wall bracing bar



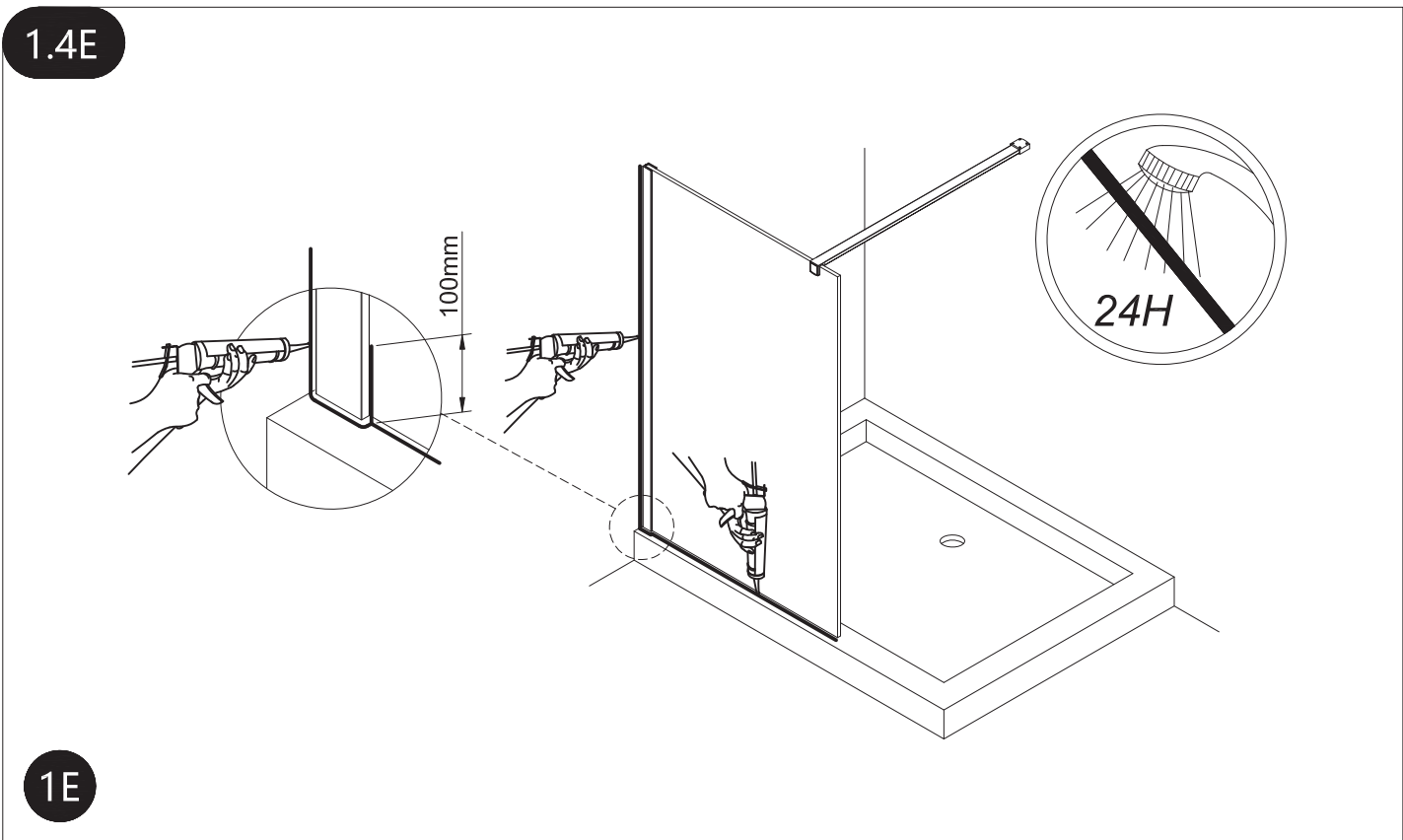
## Step 16



## Step 17



## Step 18



## Step 19

**2.1E**

100mm~200mm

100mm~200mm

Max width 1400mm

100% Level

L

L-8mm

E4

E2

2E

A1

E2

## Step 20

**2.2E**

E2

E2

6

ST5X45

E3

E2

E6

2.5mm

E2

2E

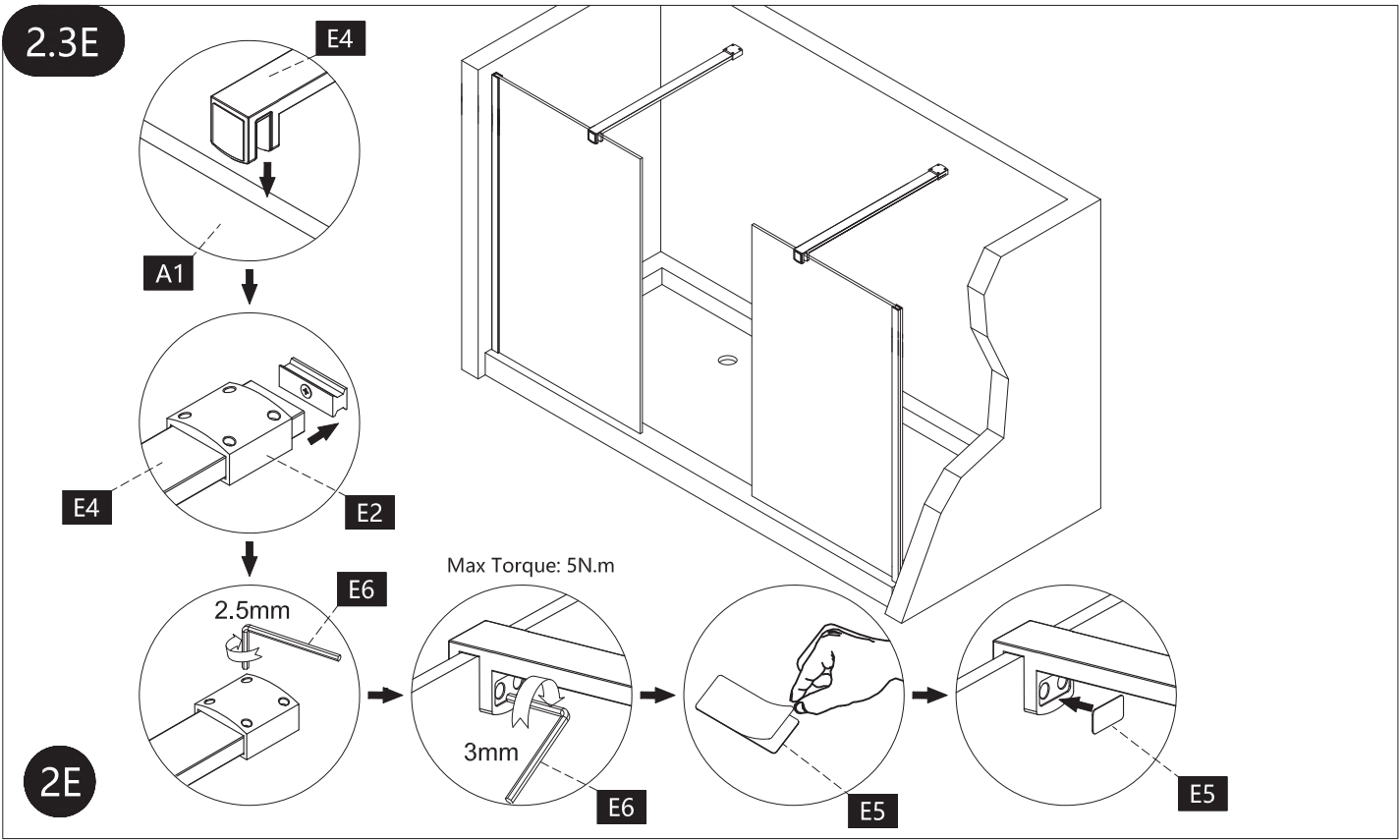
!

X

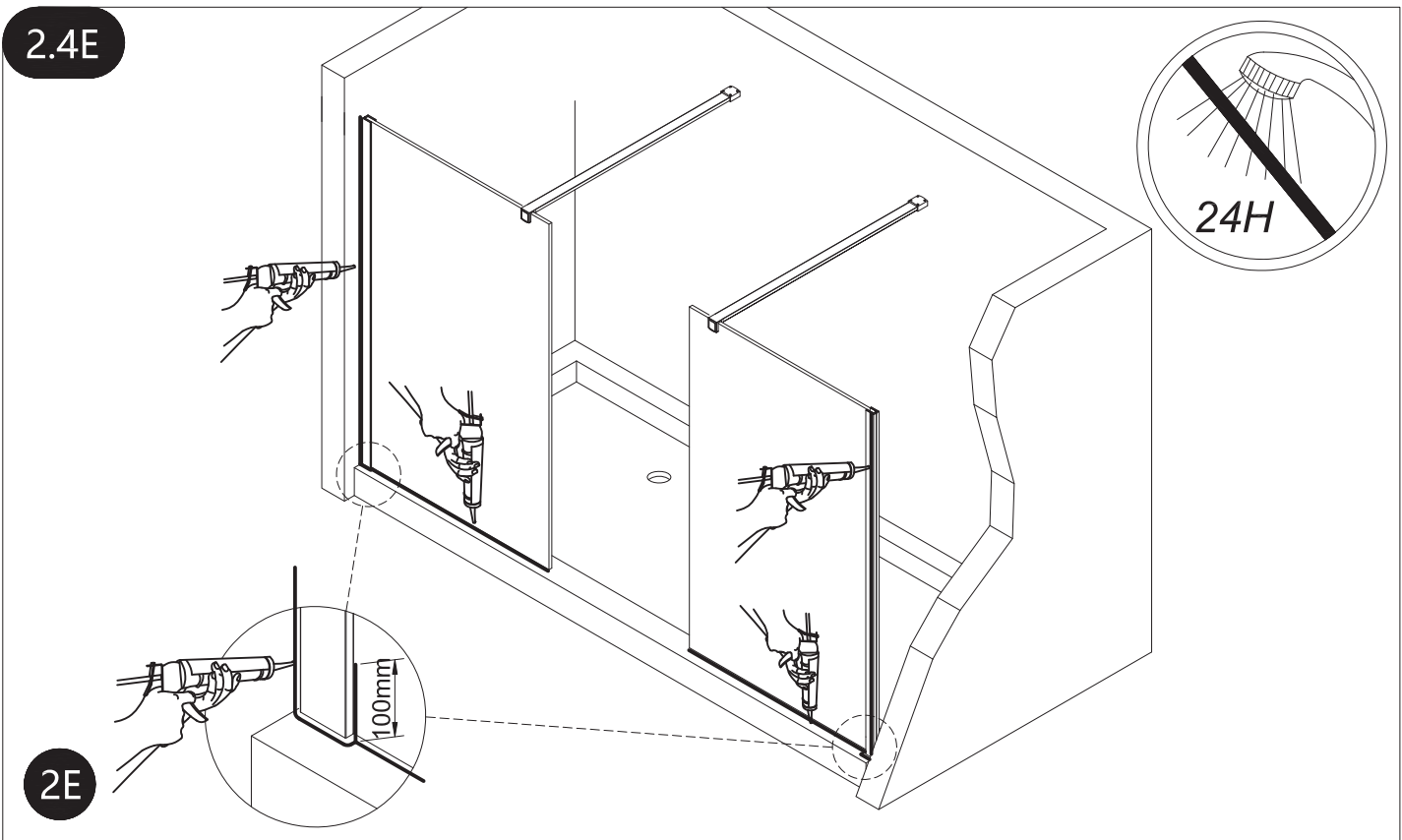
X

X

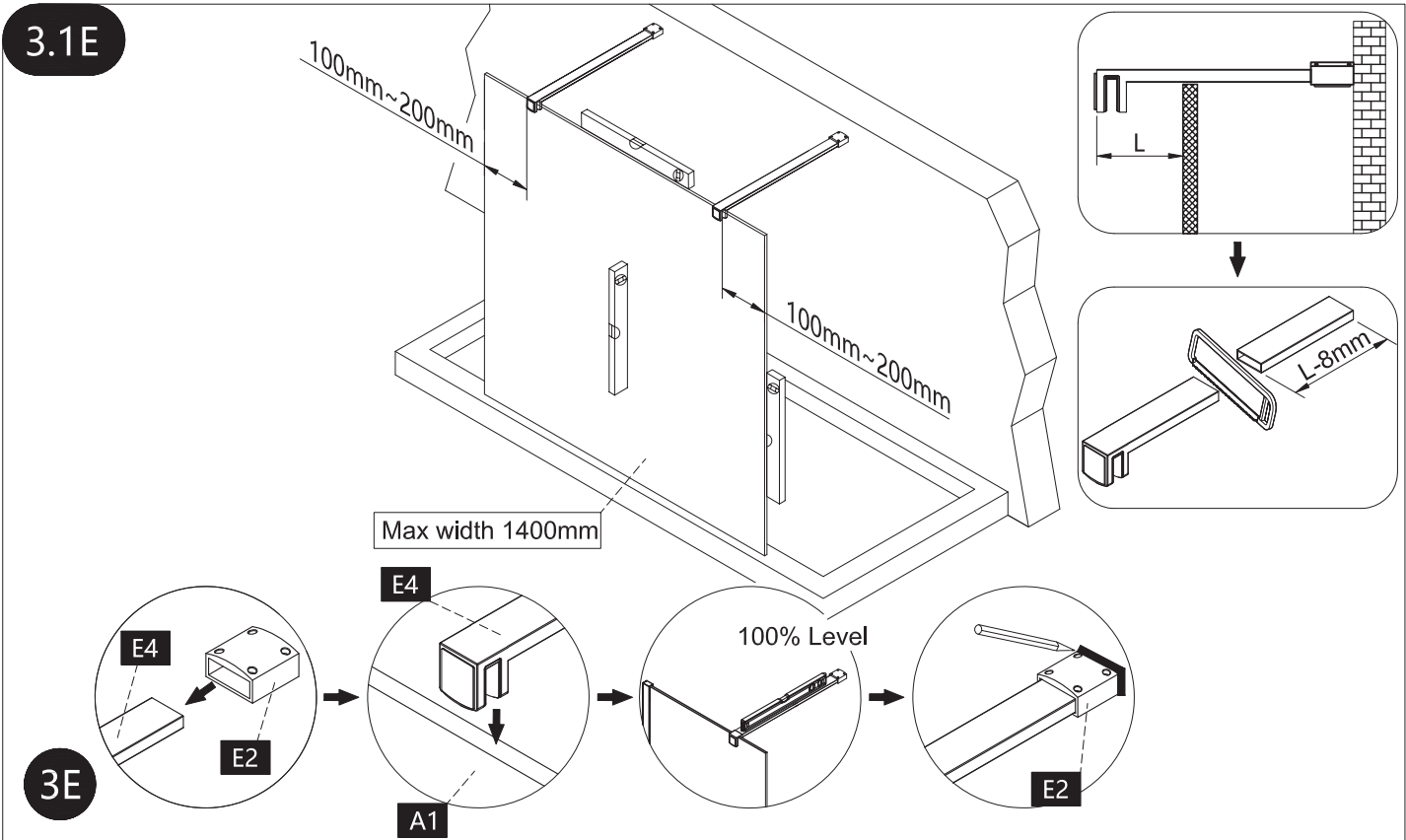
## Step 21



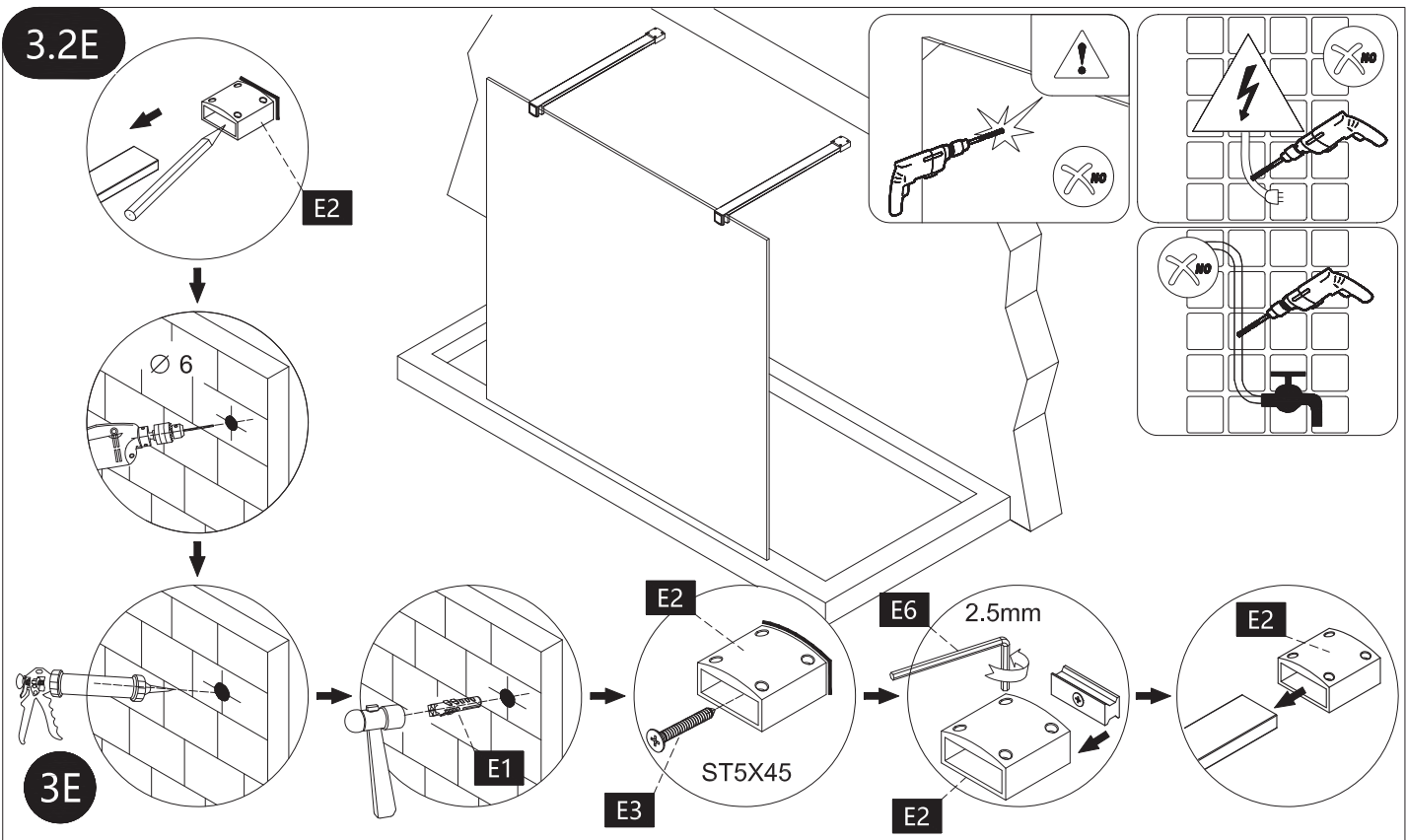
## Step 22



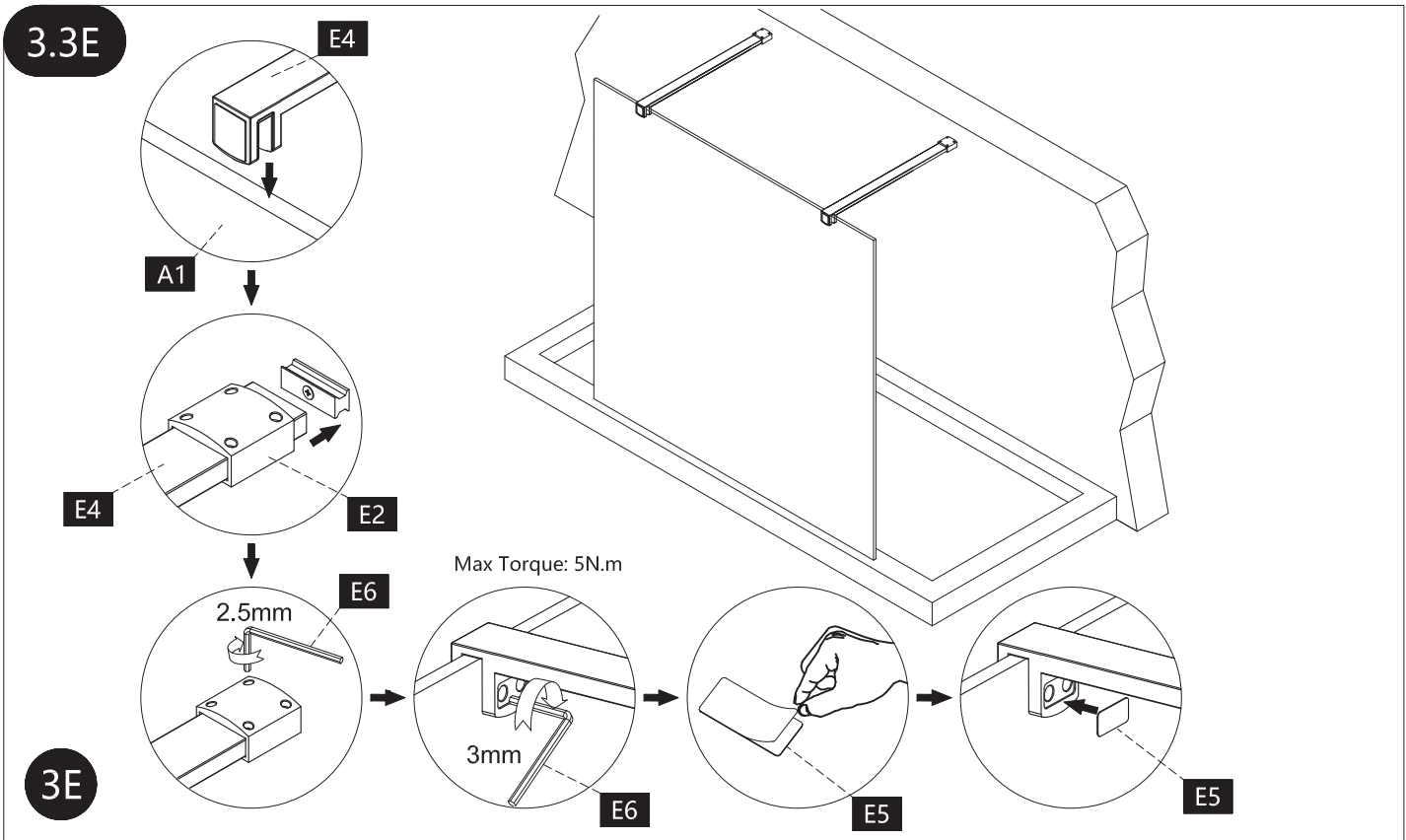
## Step 23



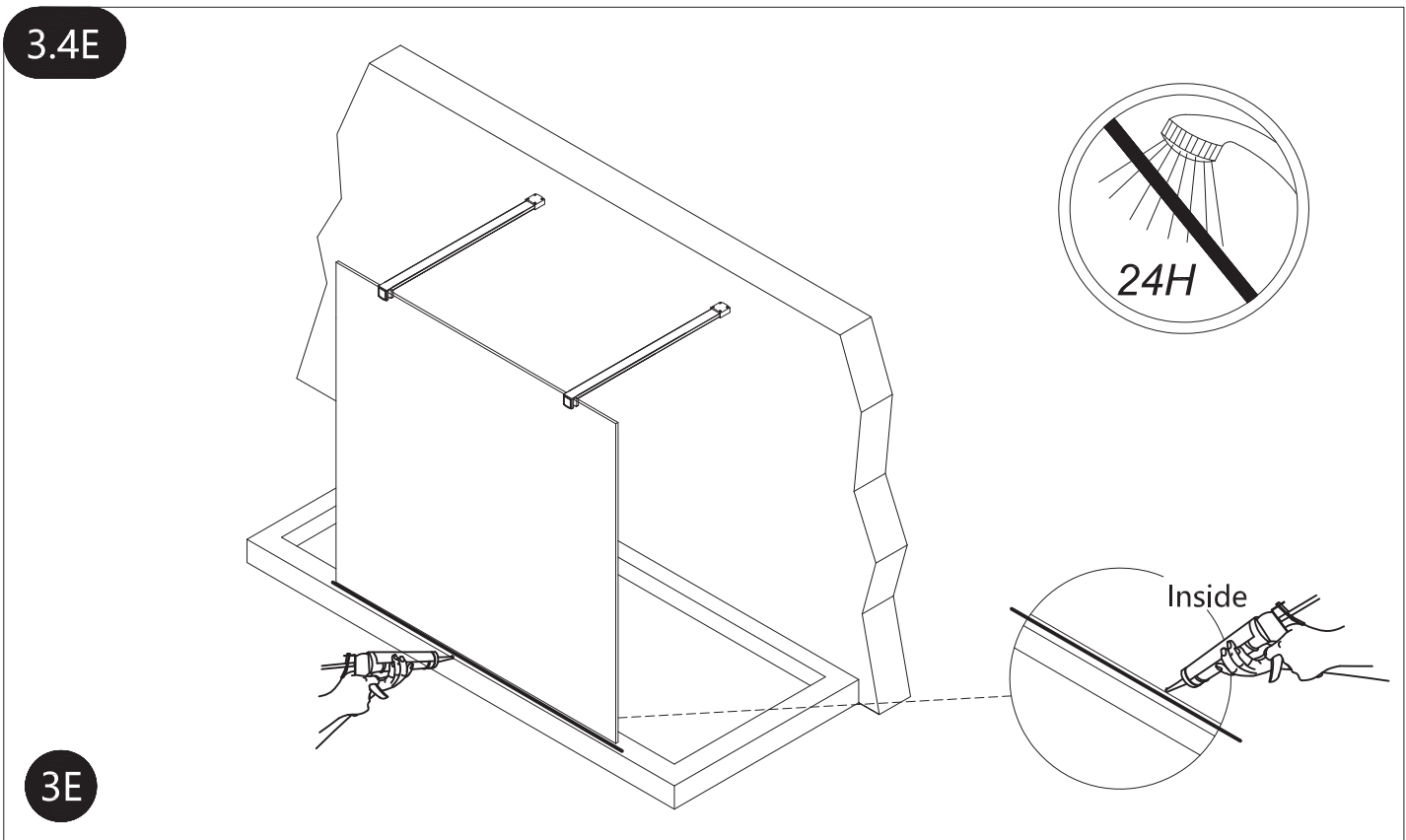
## Step 24



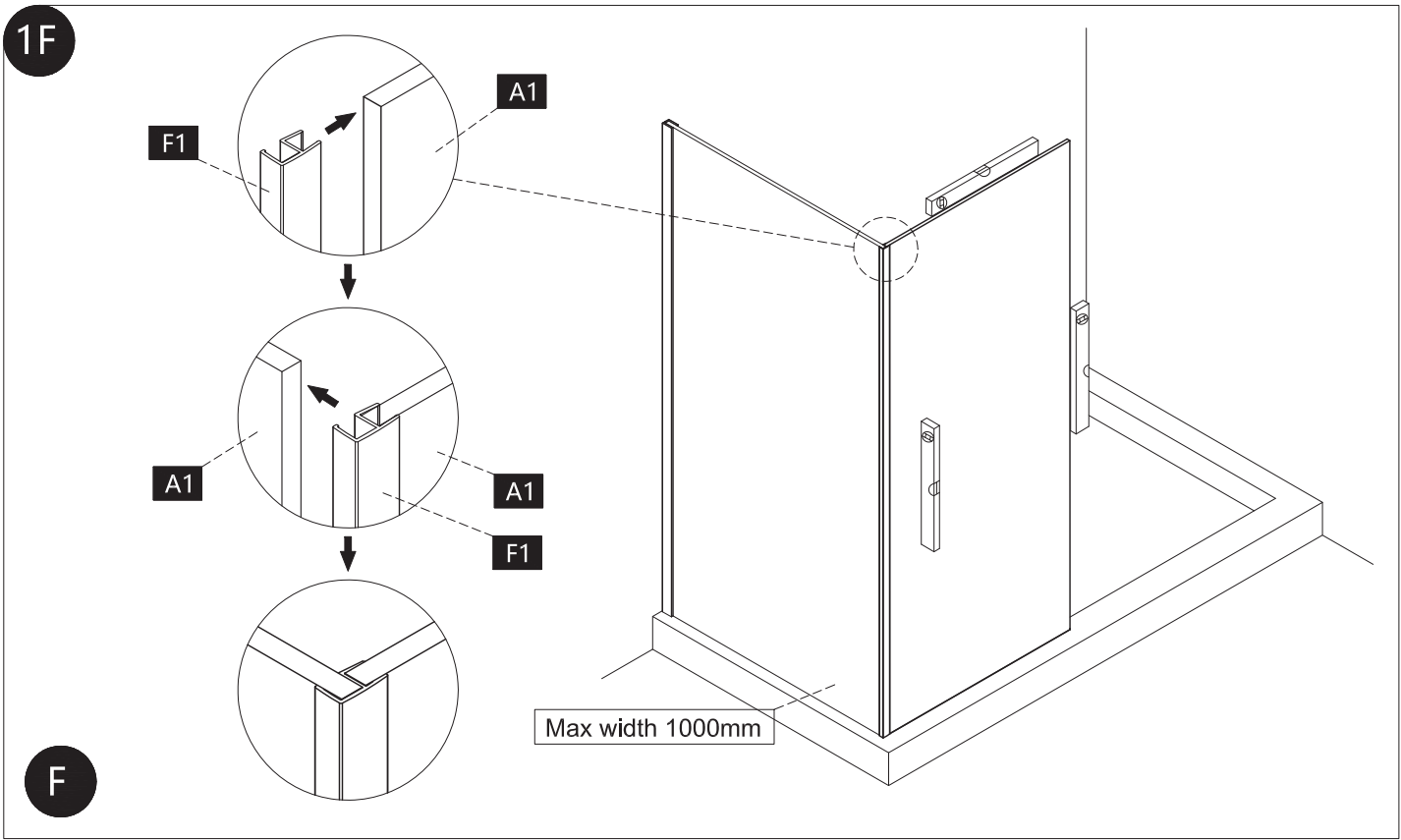
## Step 25



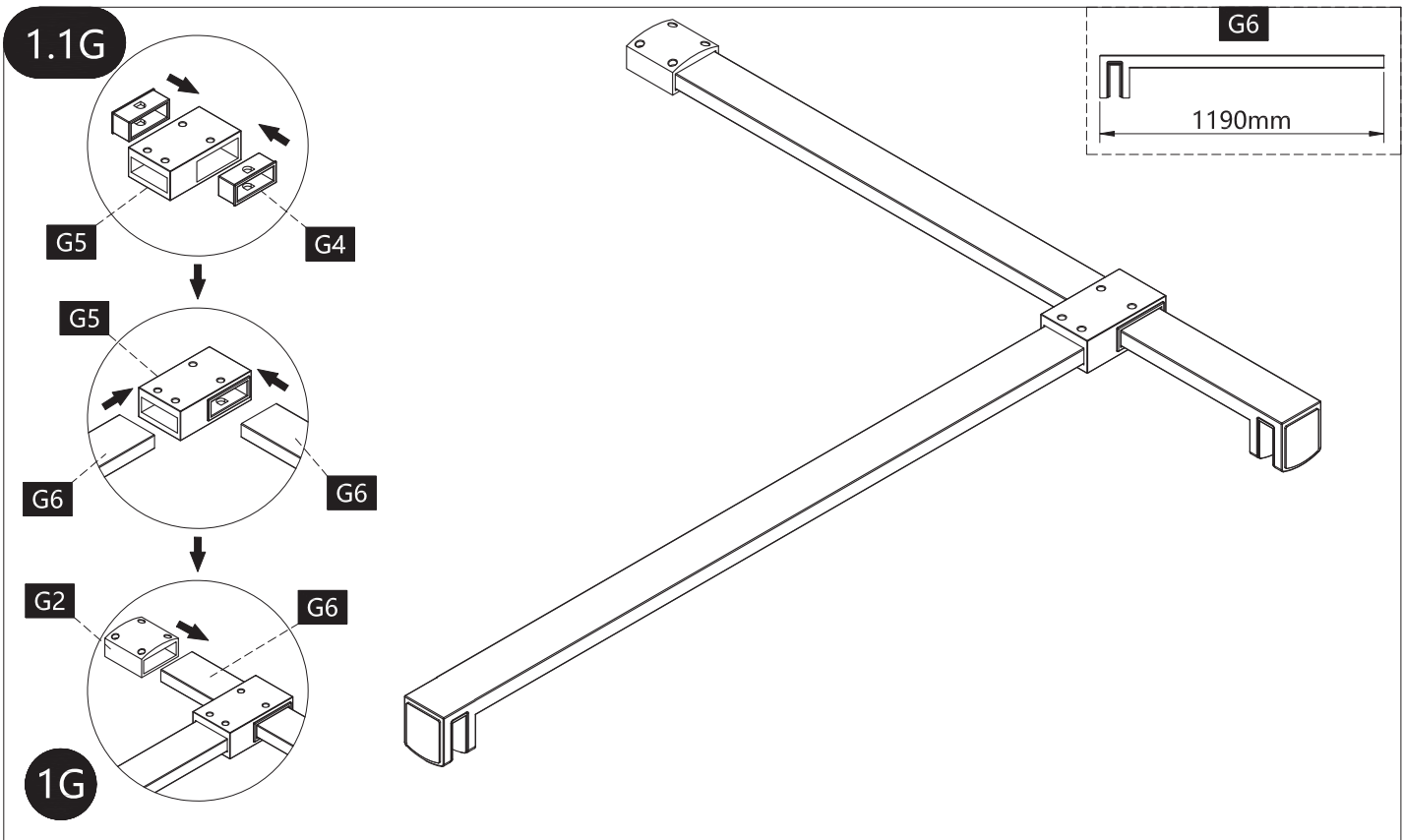
## Step 26



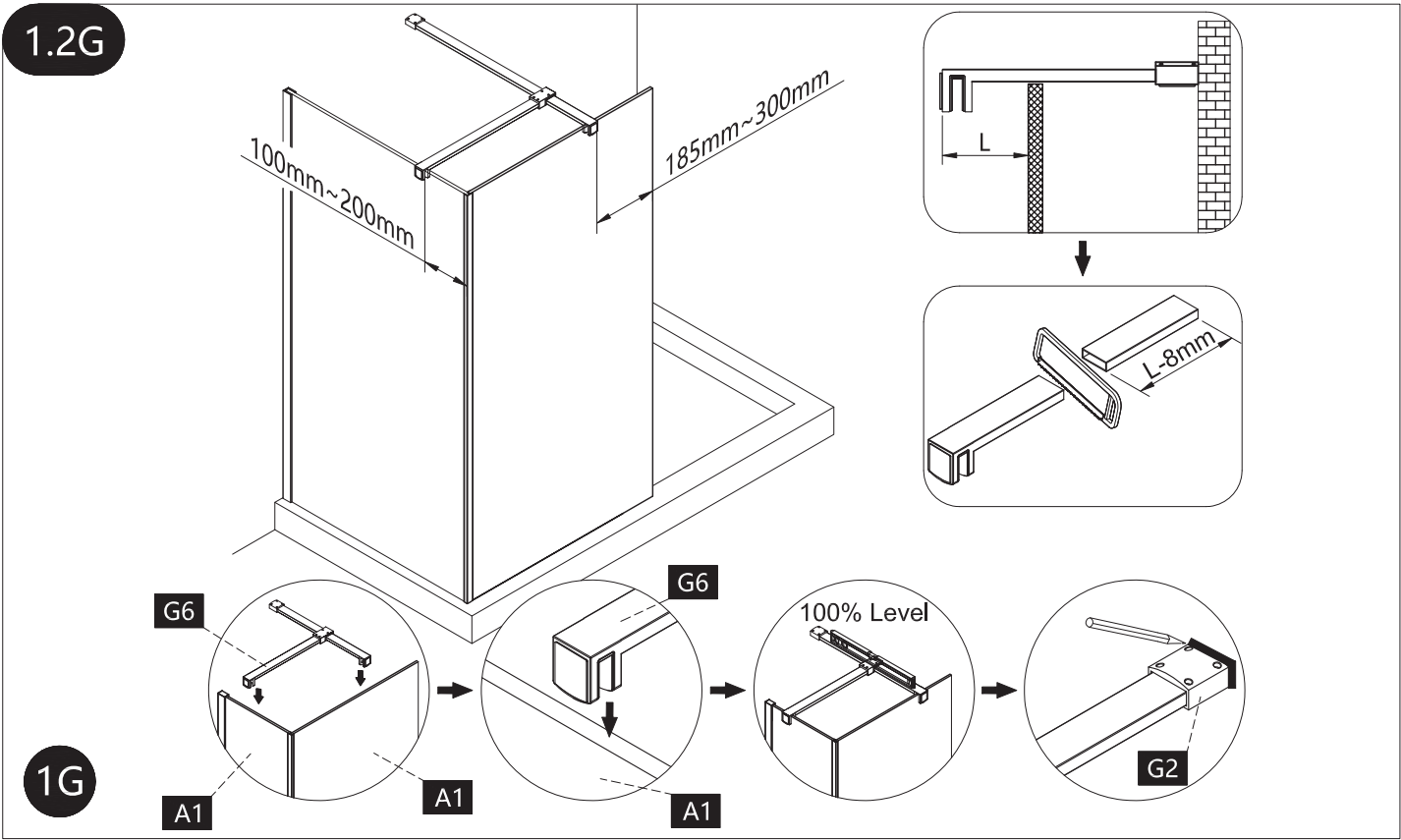
Step 27



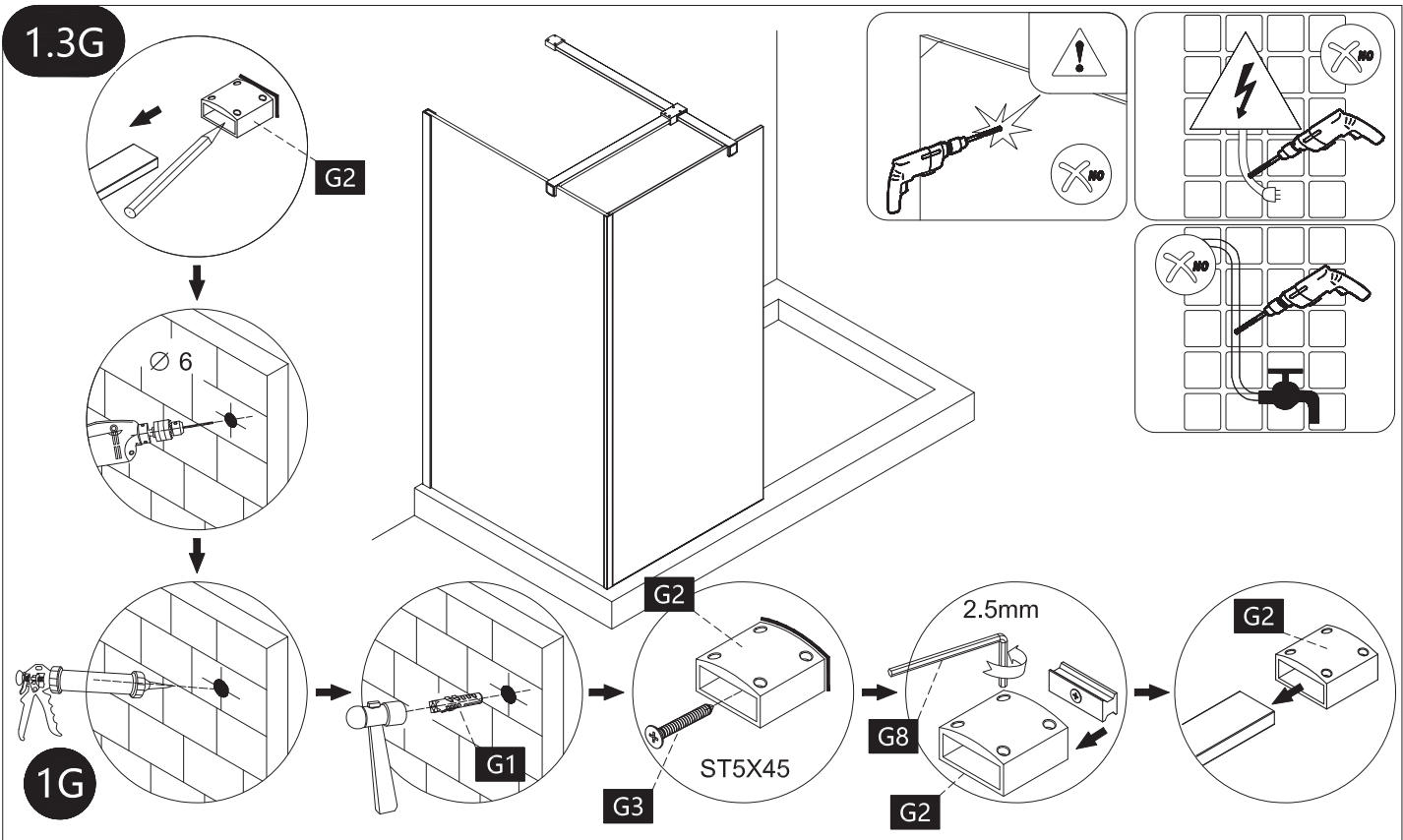
Step 28



## Step 29

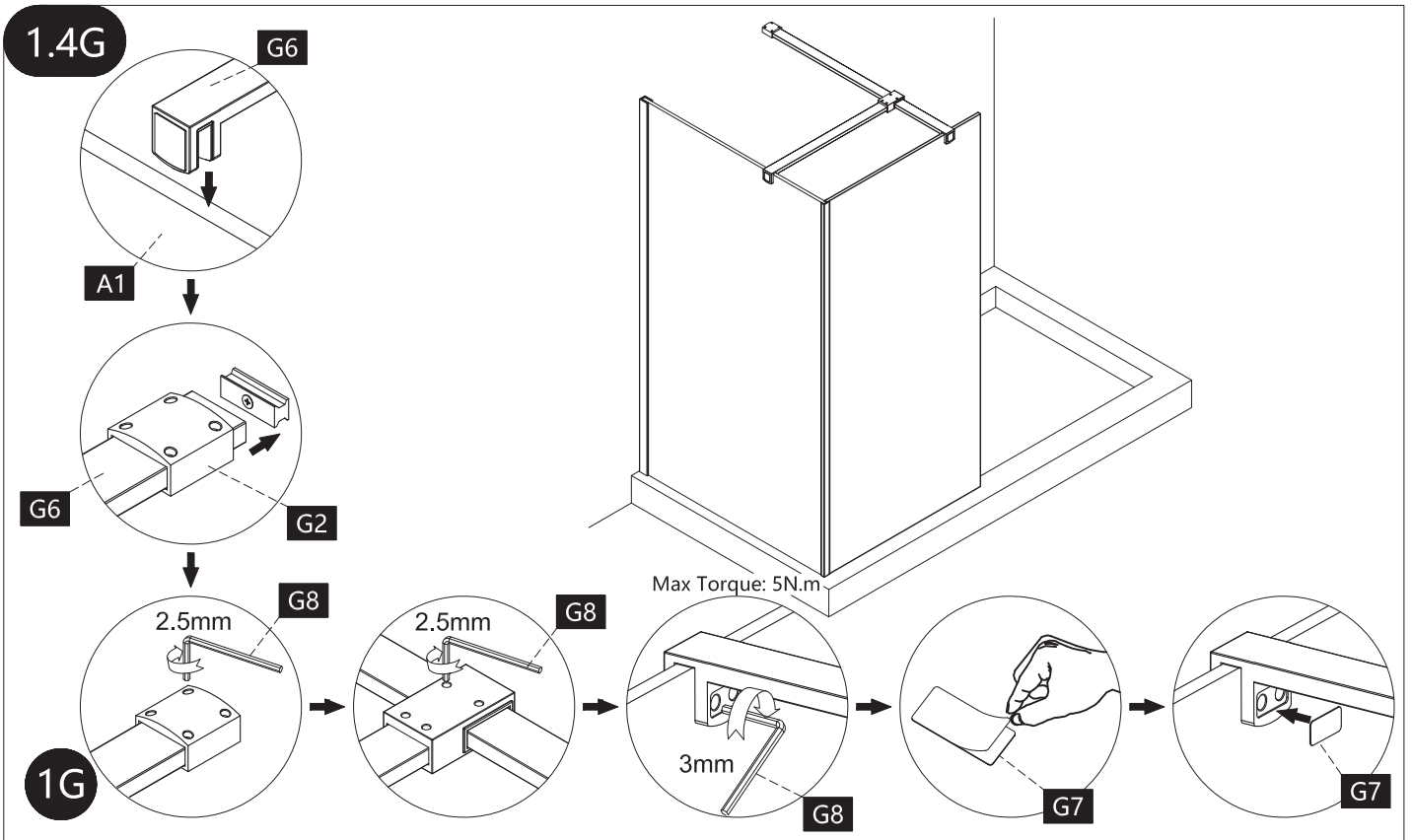


## Step 30 Fitting T bracing bar

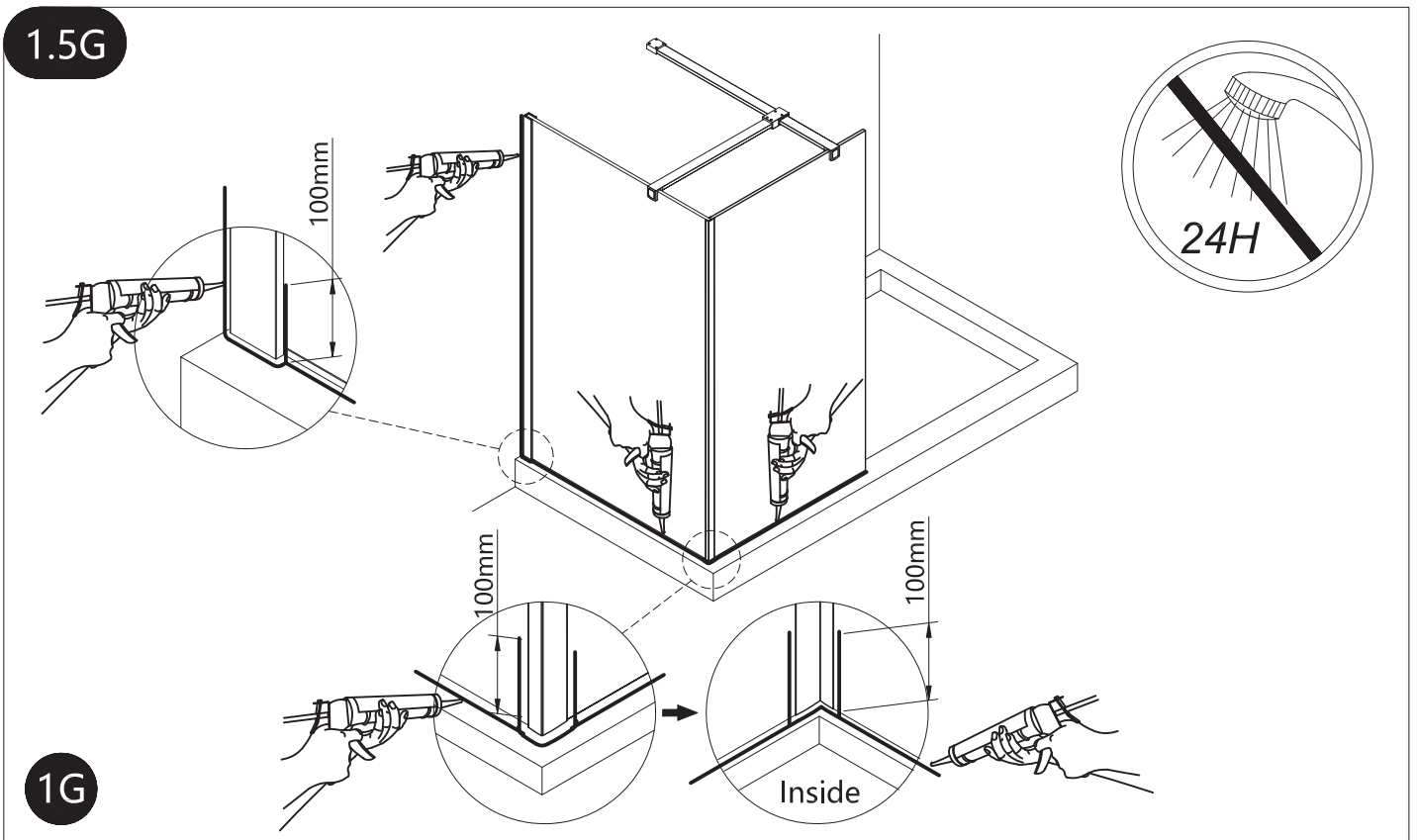




## Step 31

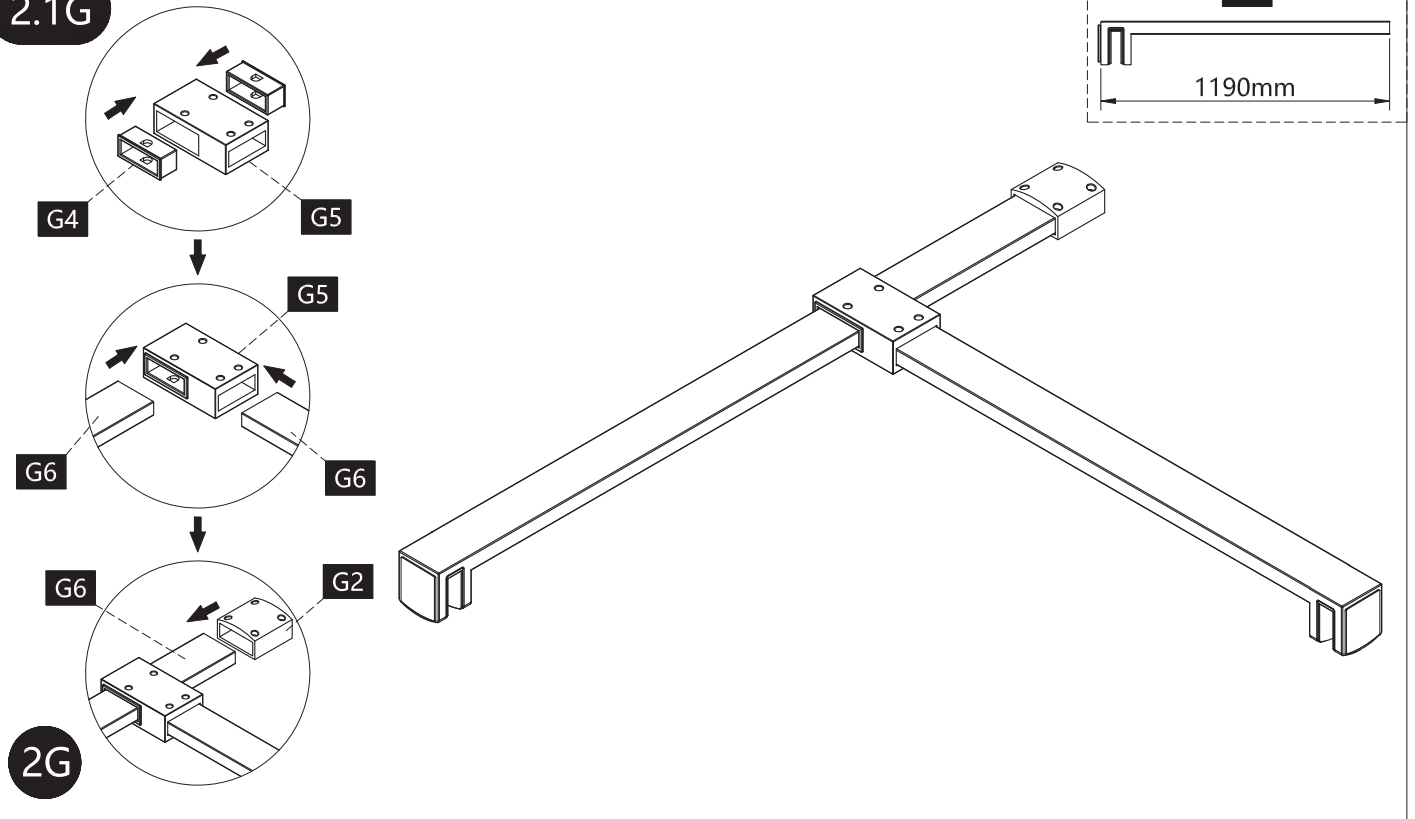


## Step 32



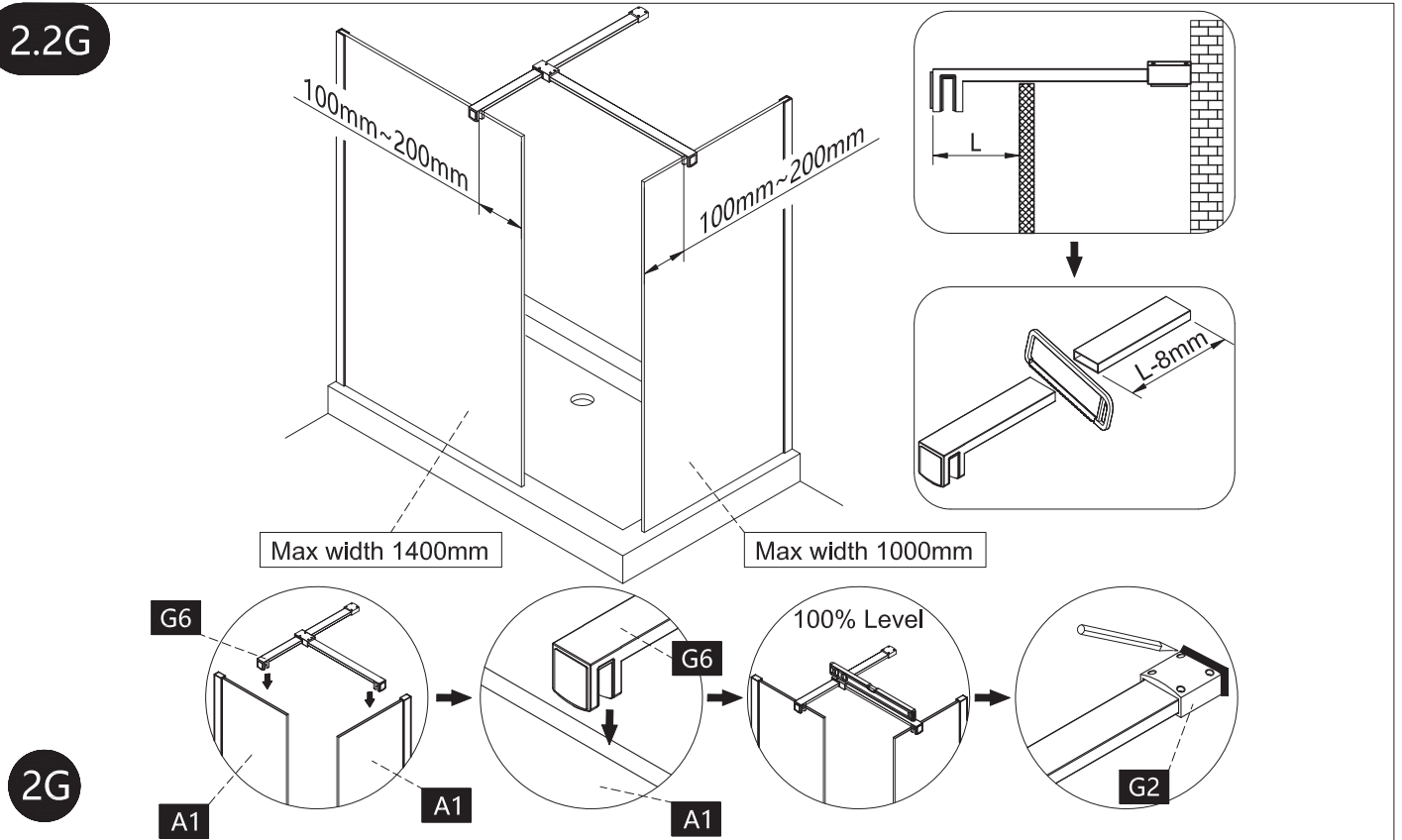
## Step 33

2.1G



## Step 34

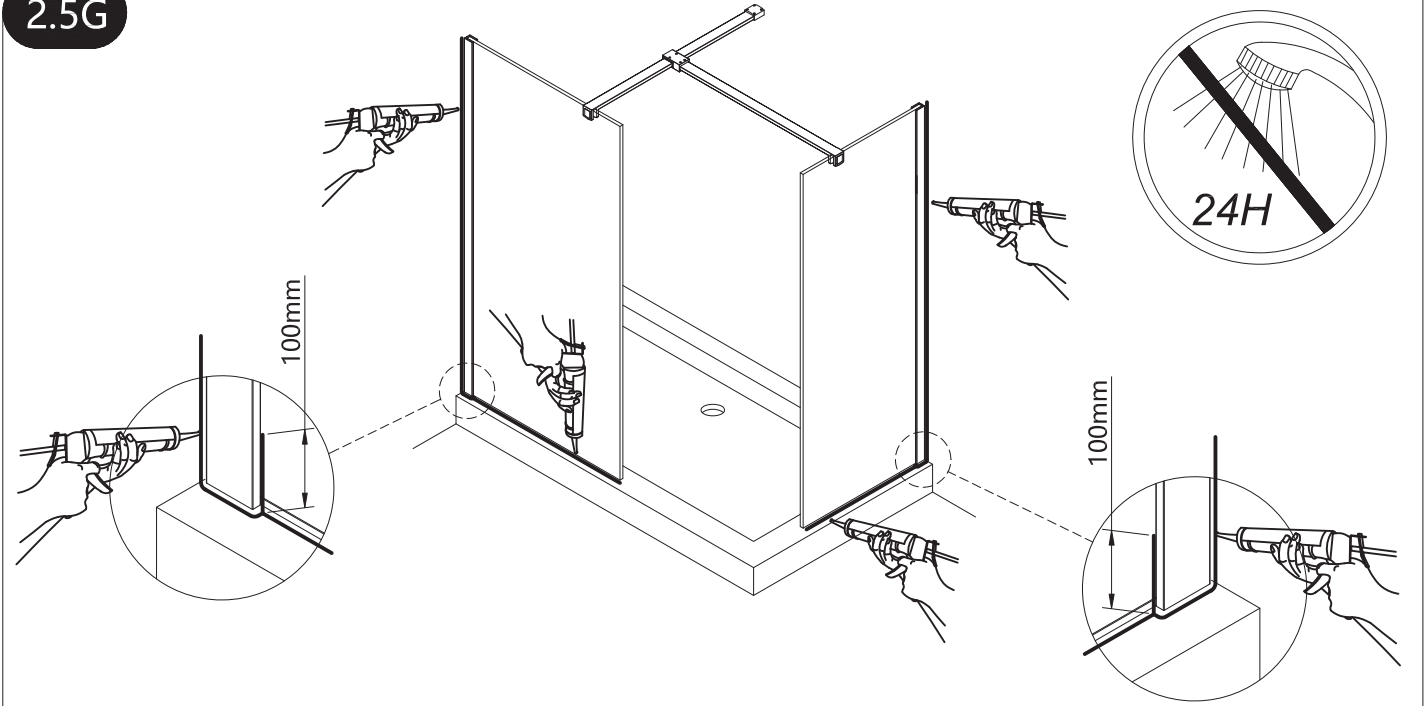
2.2G





Step 37

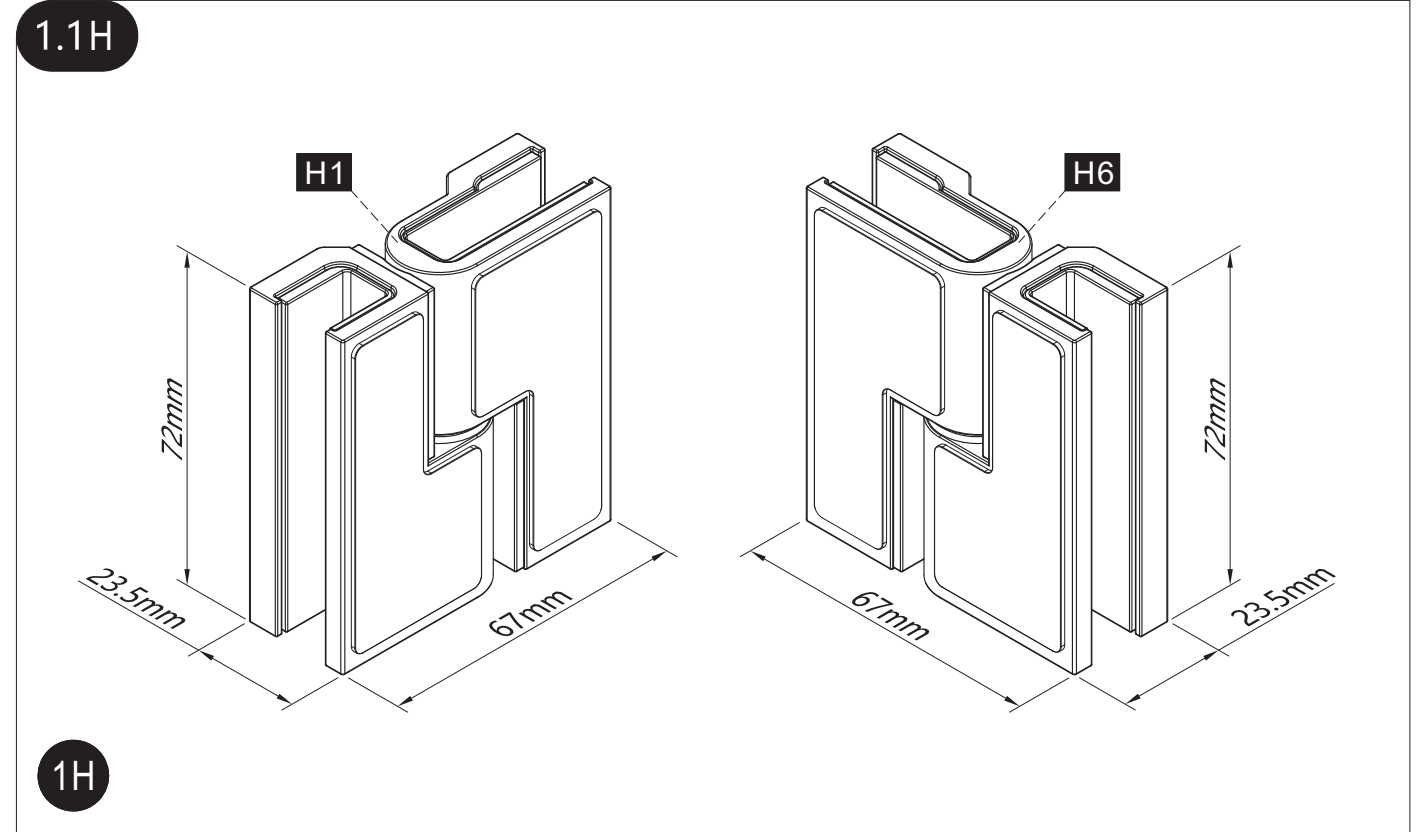
2.5G



2G

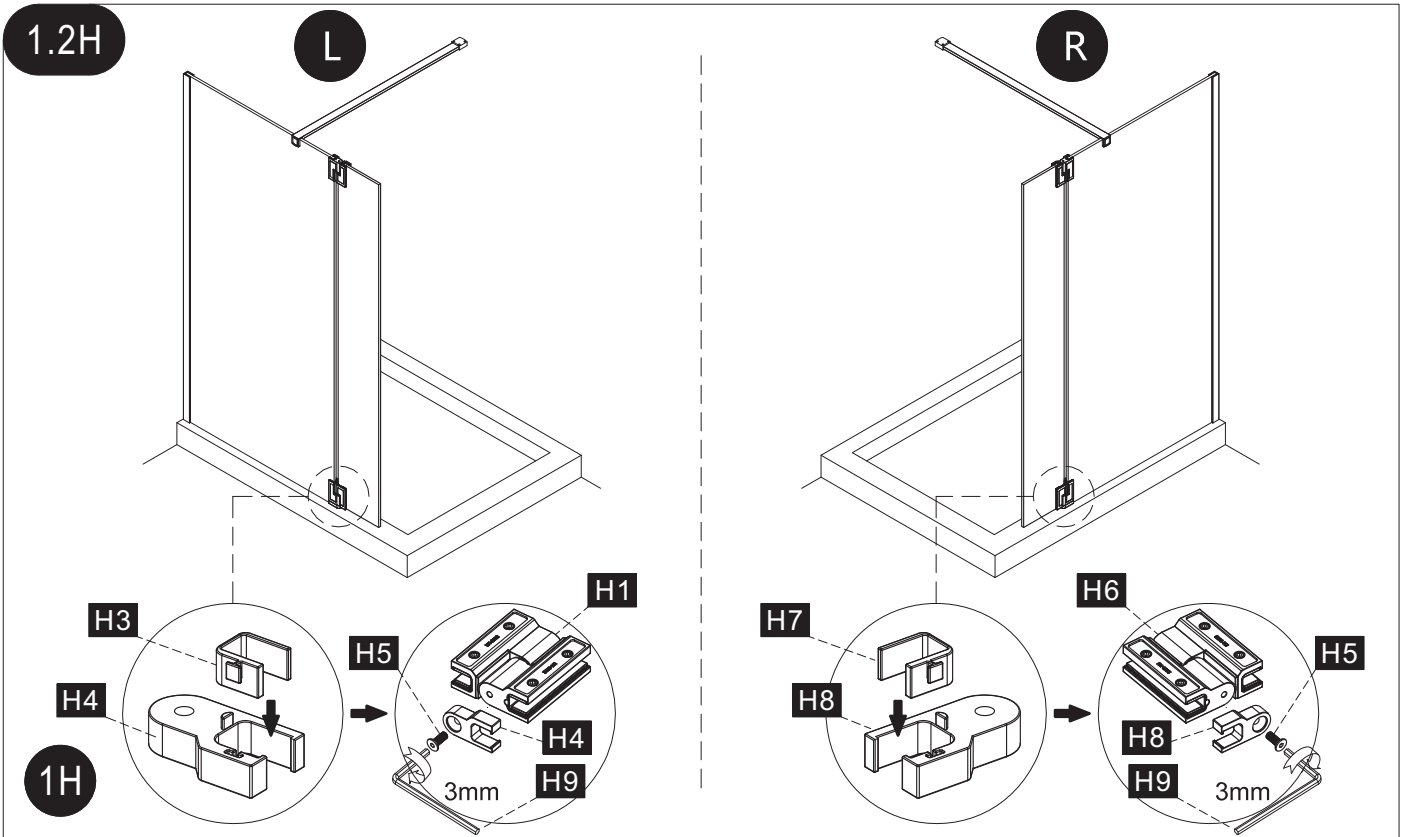
Step 38 180° Deflector Panel

1.1H

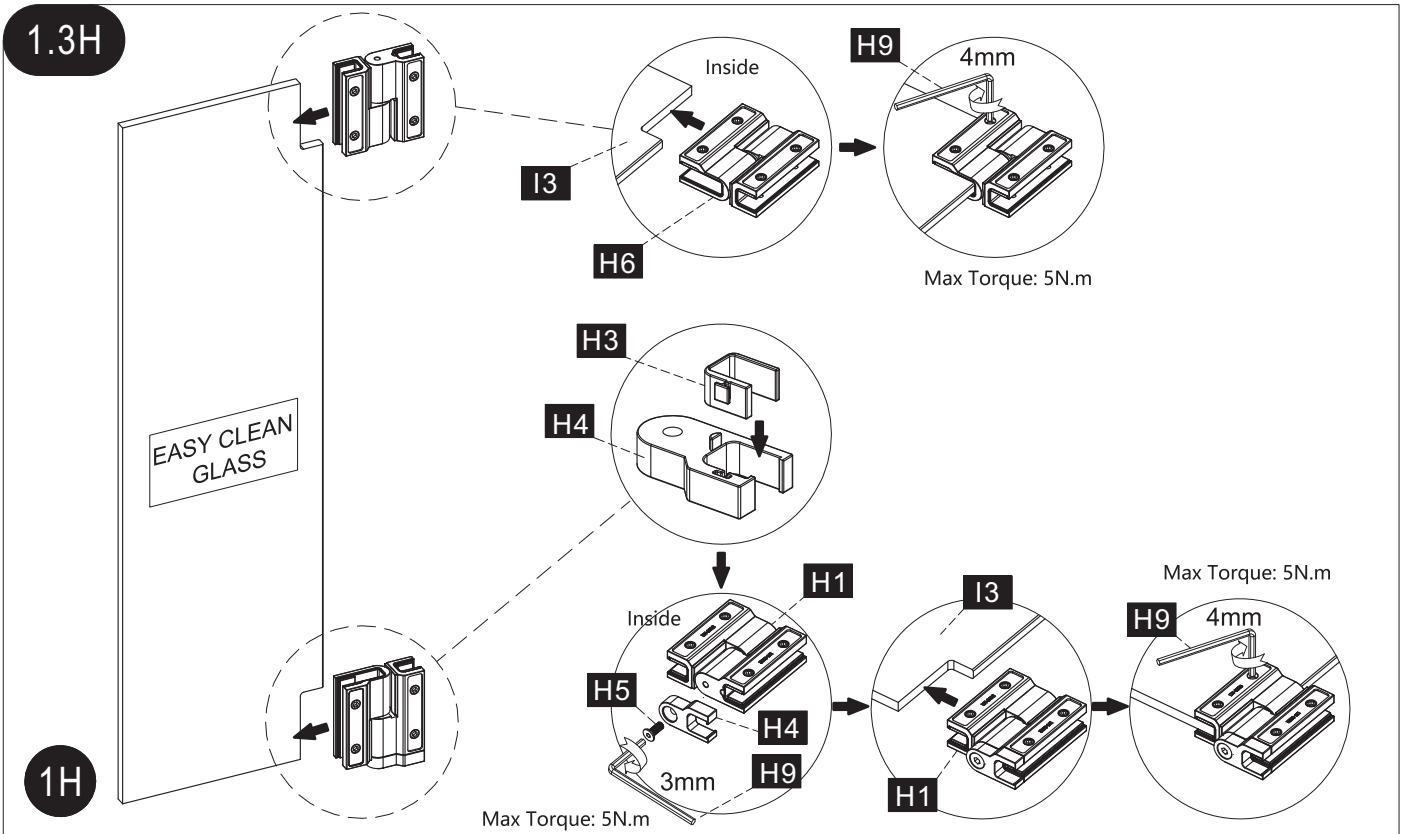


1H

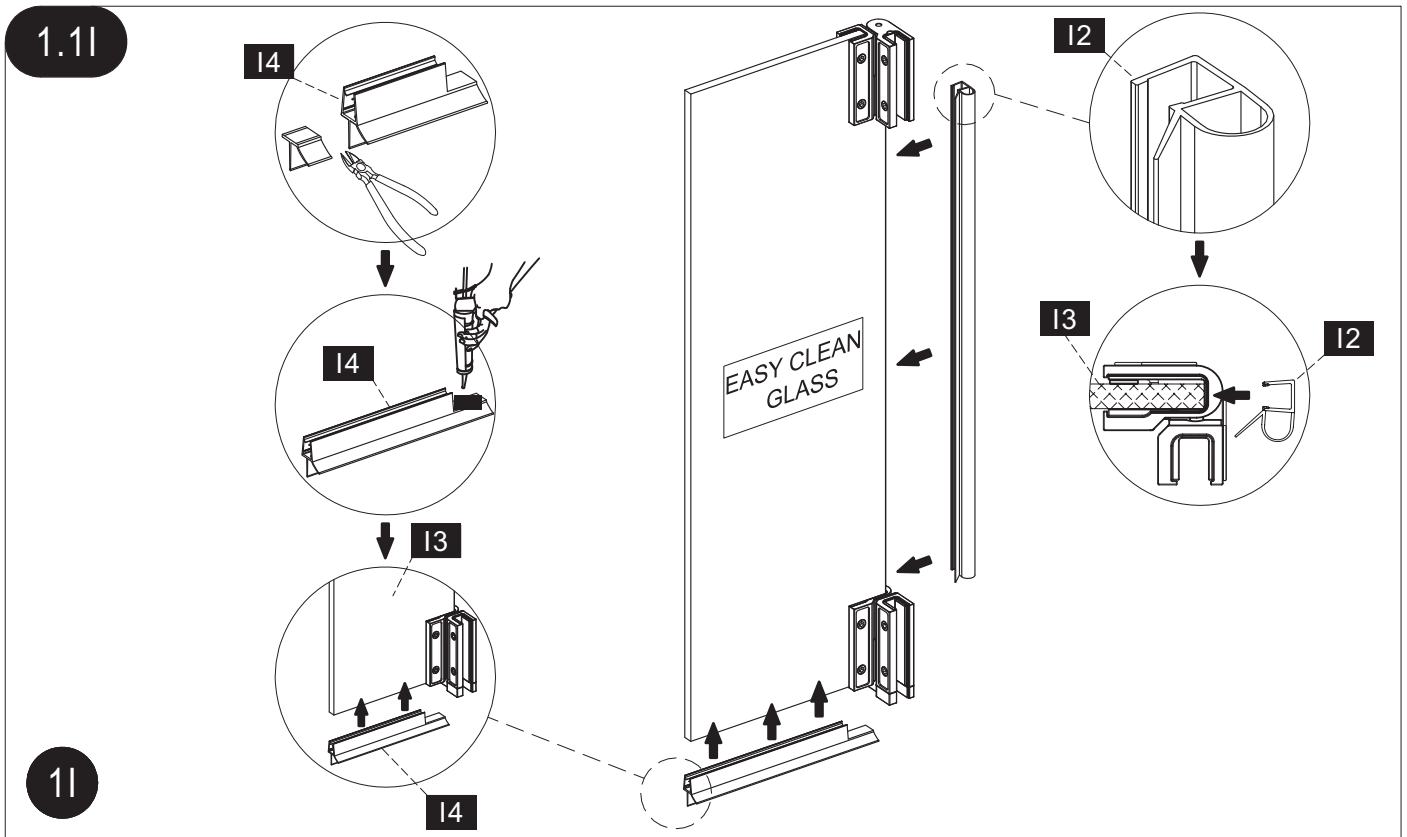
Step 39



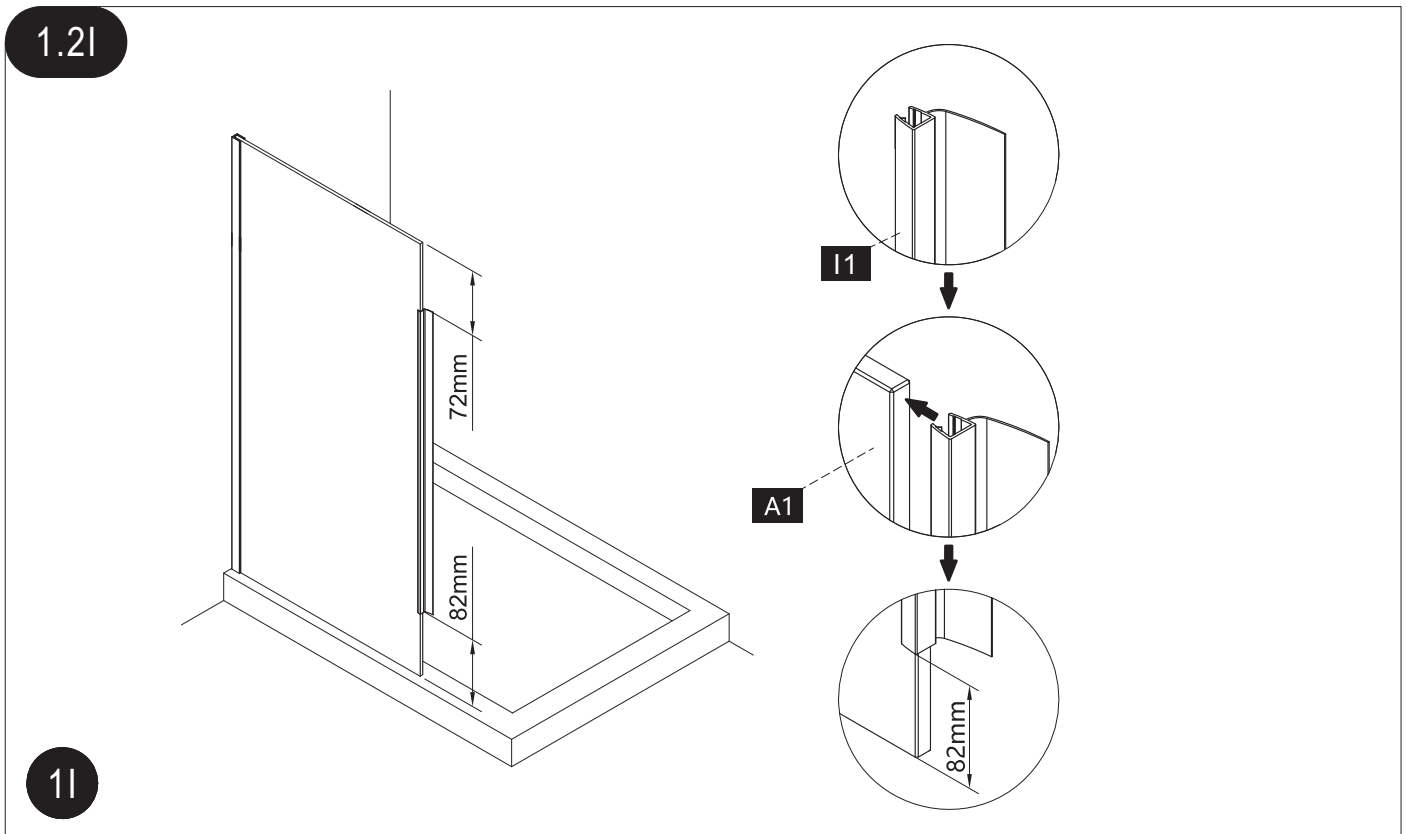
Step 40



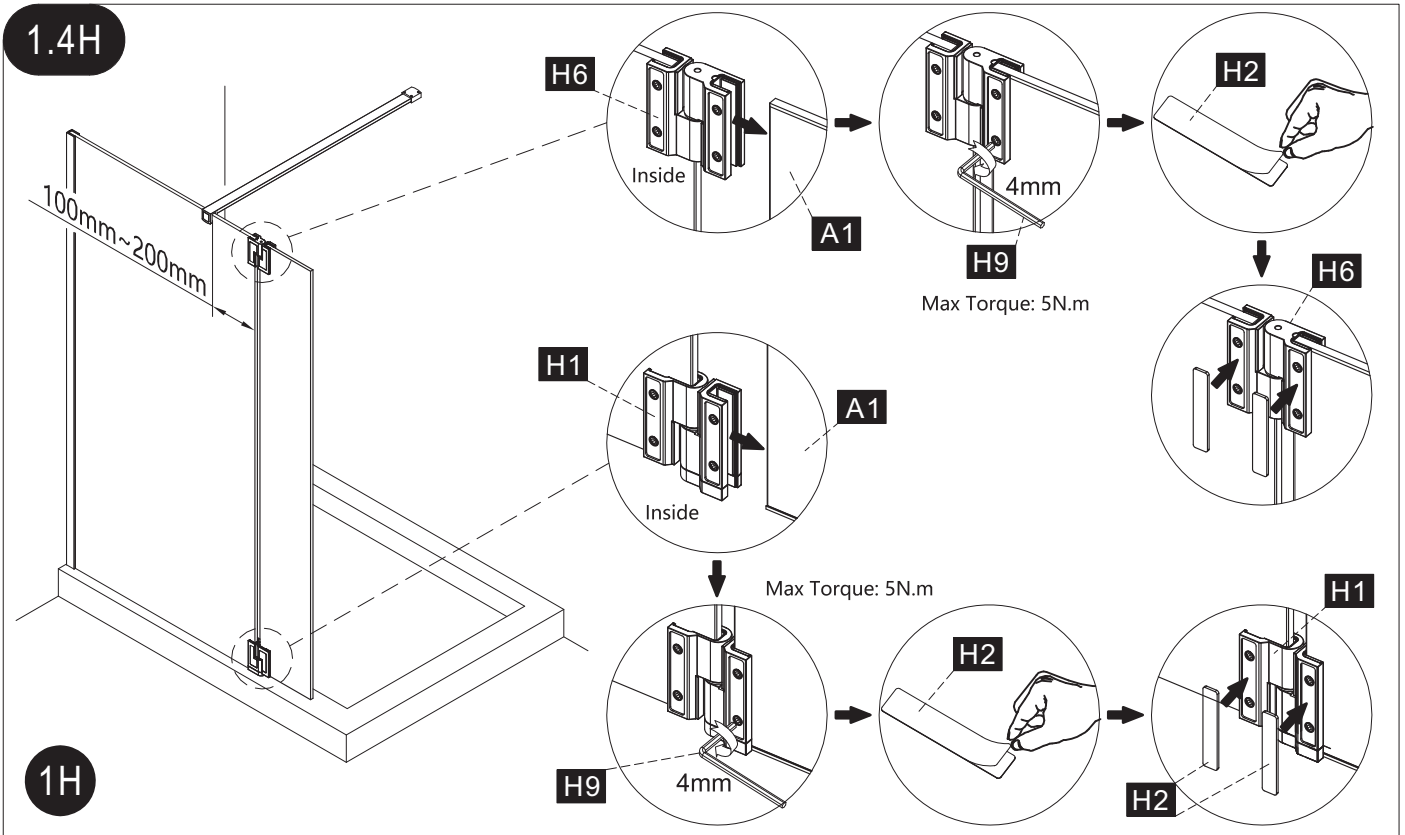
Step 41



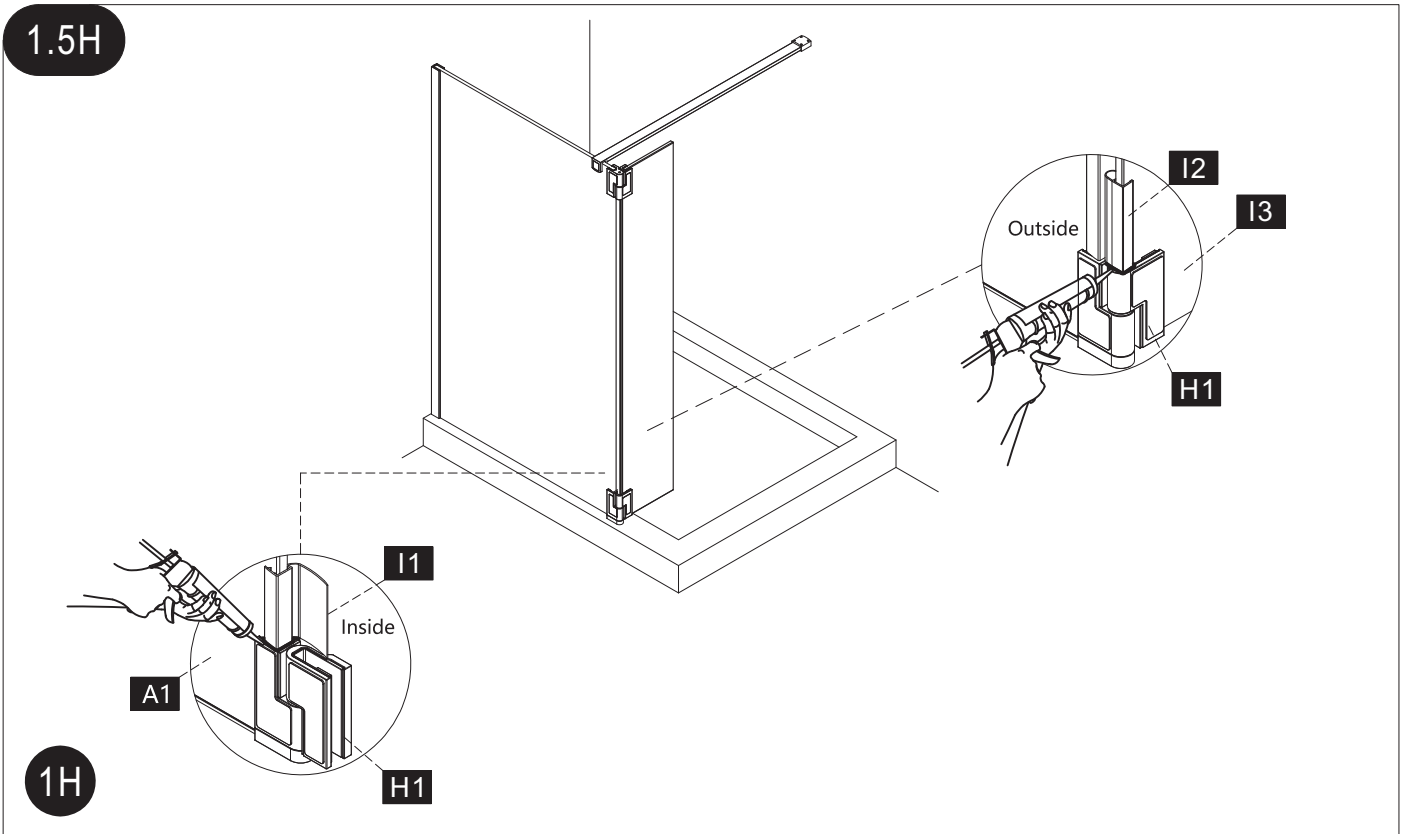
Step 42



Step 43

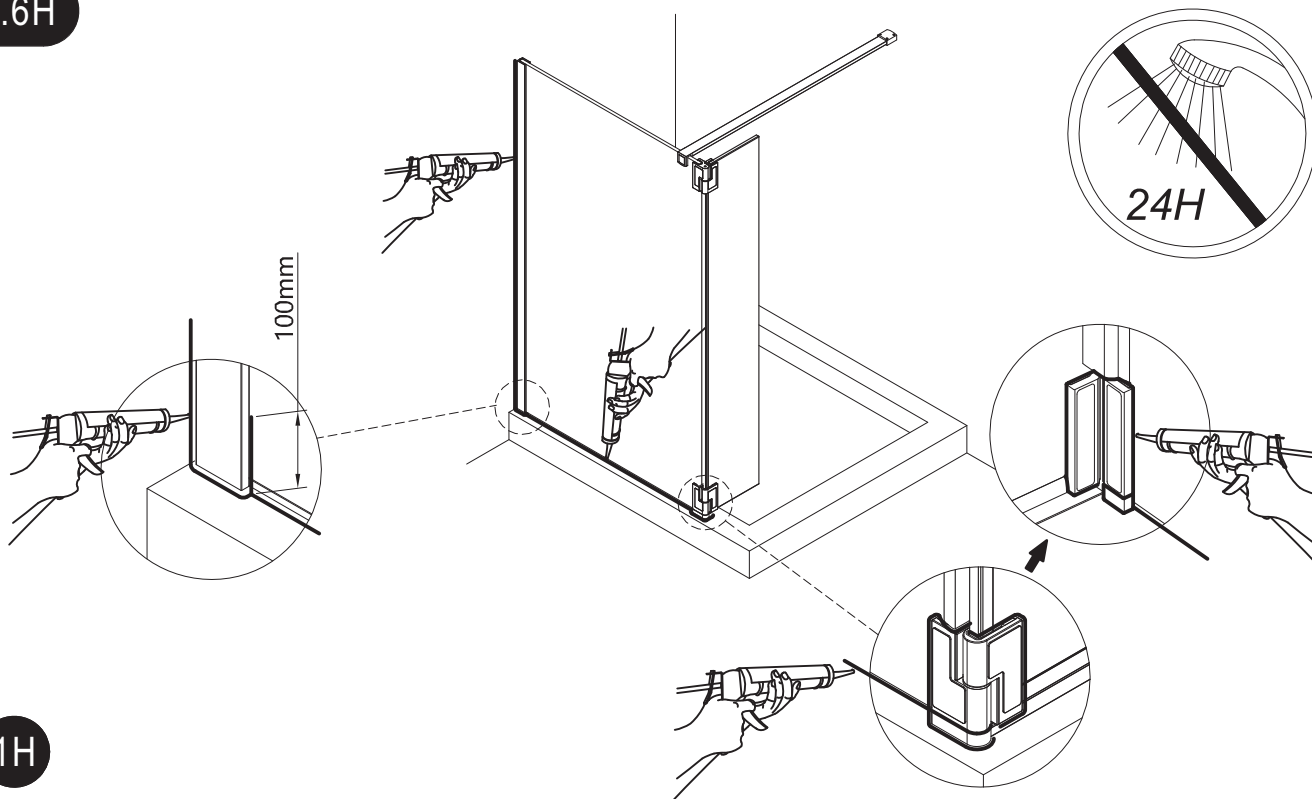


Step 44



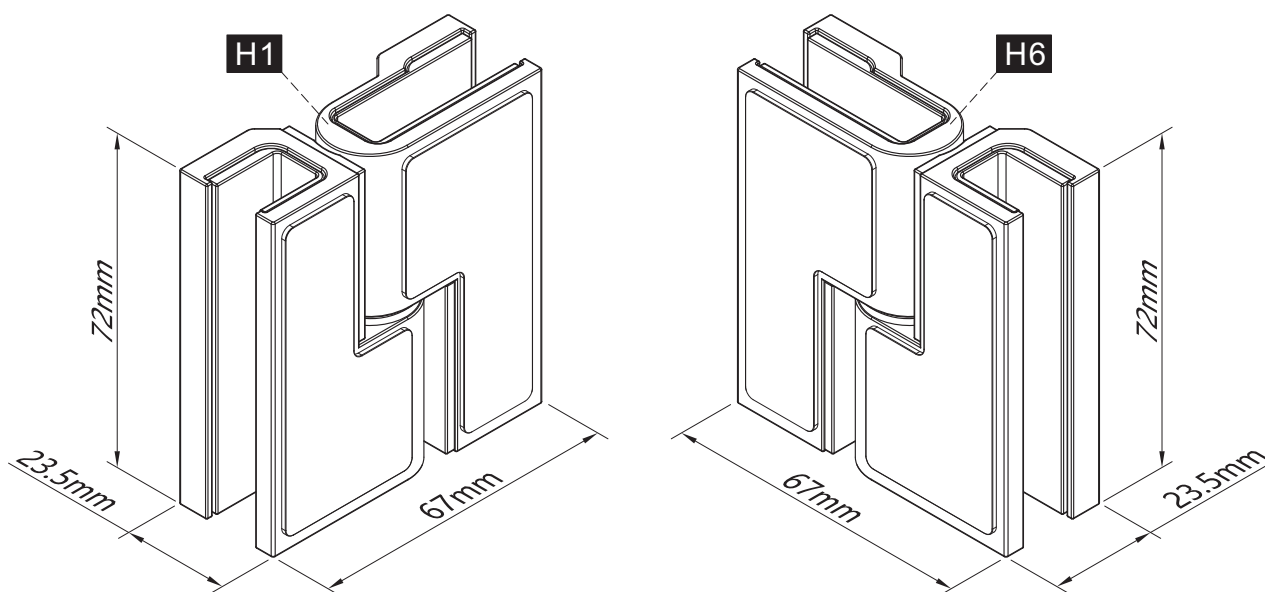
Step 45

1.6H



Step 46

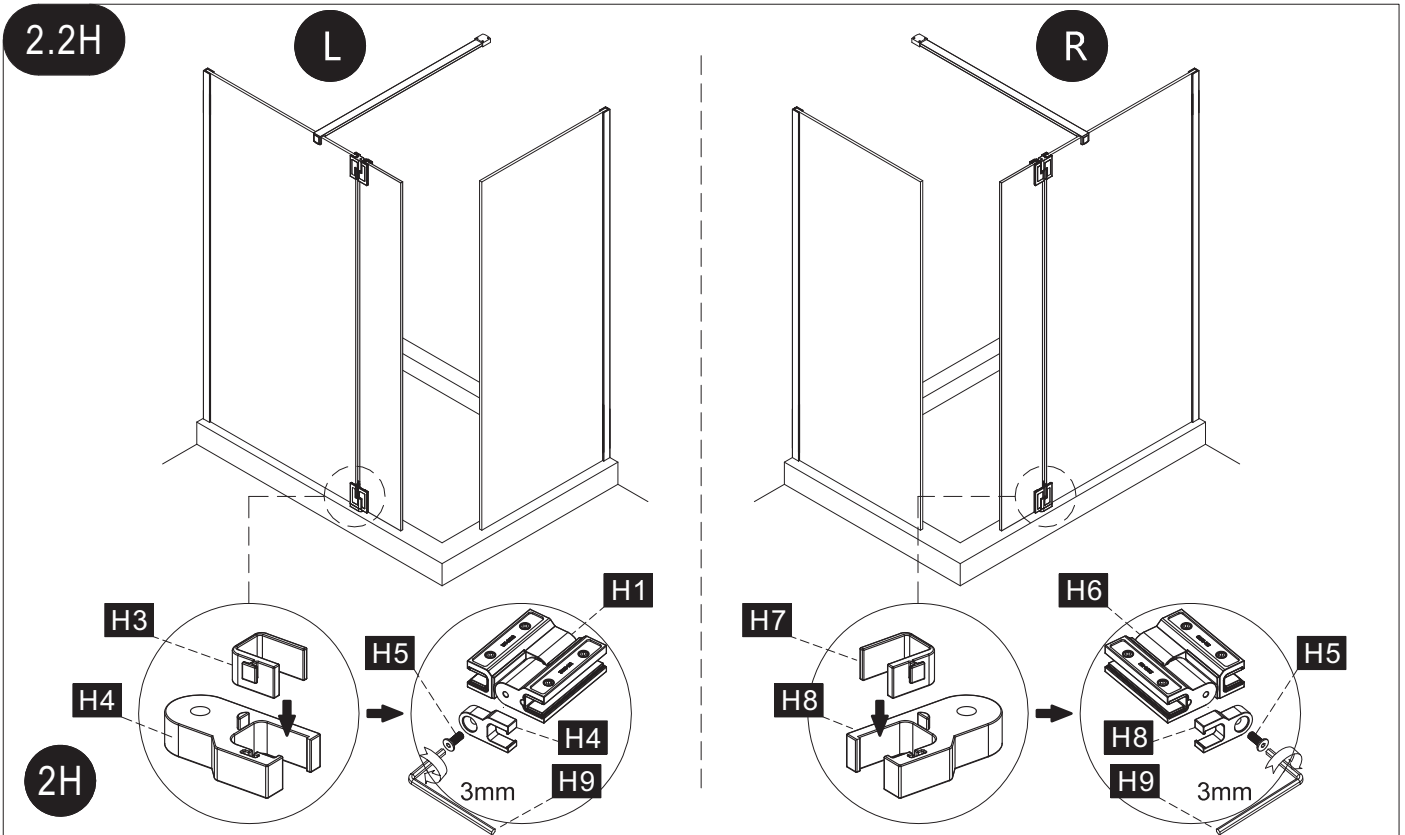
2.1H



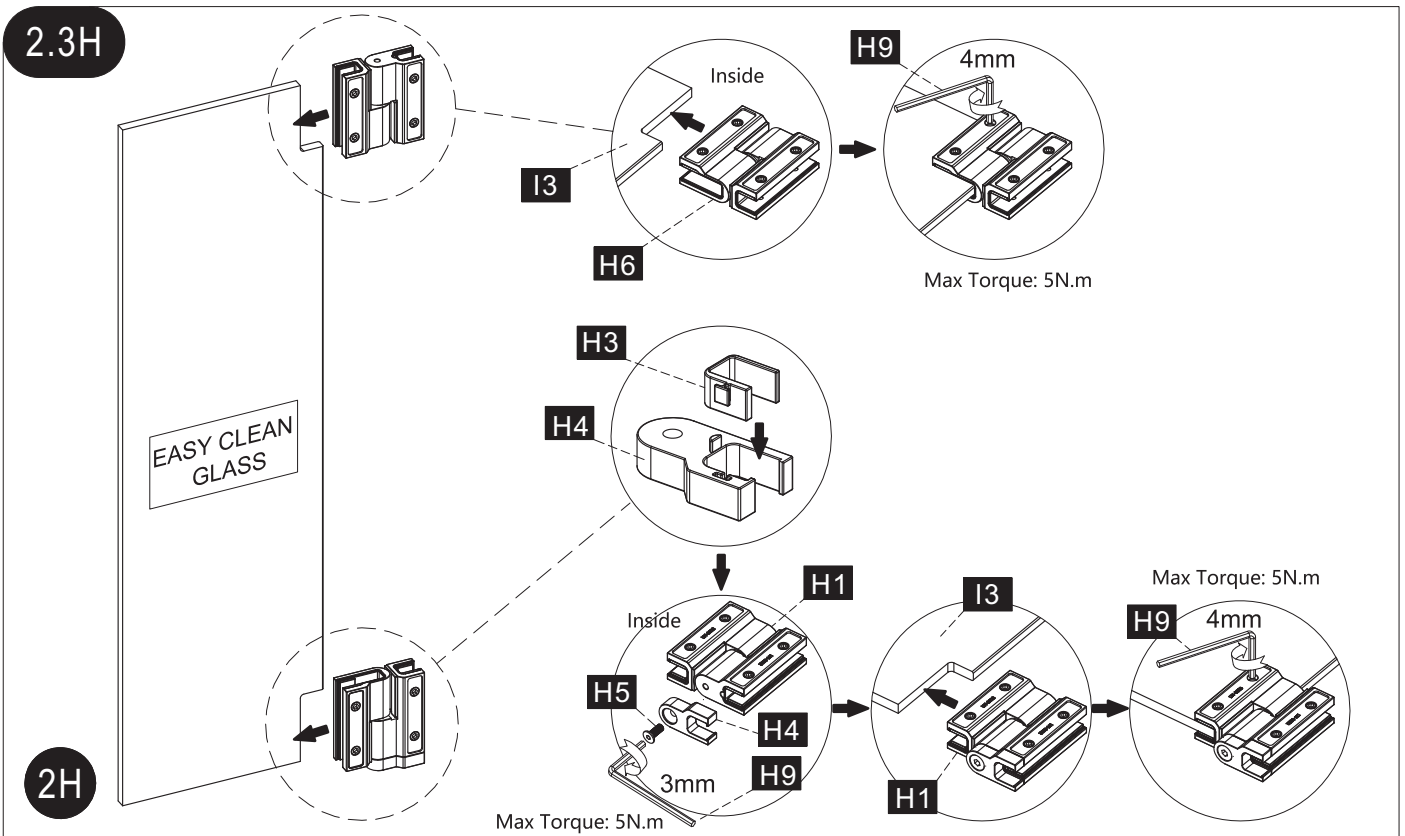
2H



Step 47

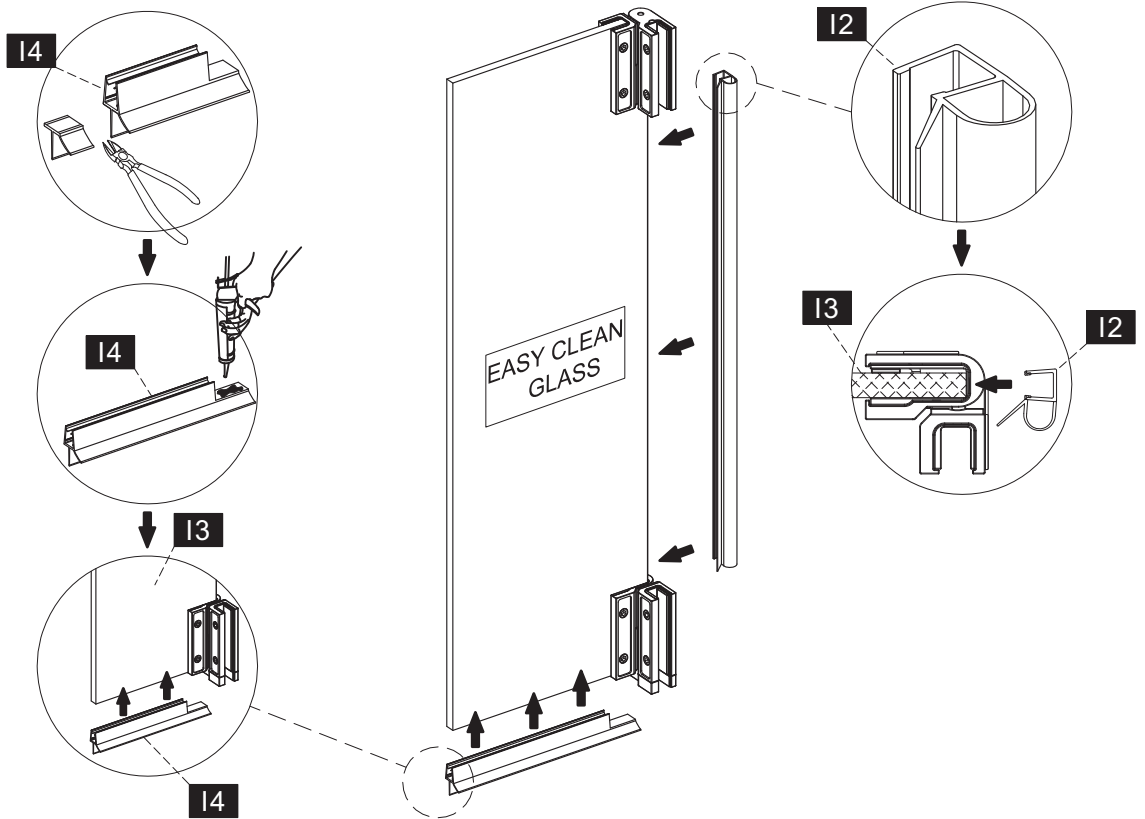


Step 48



Step 49

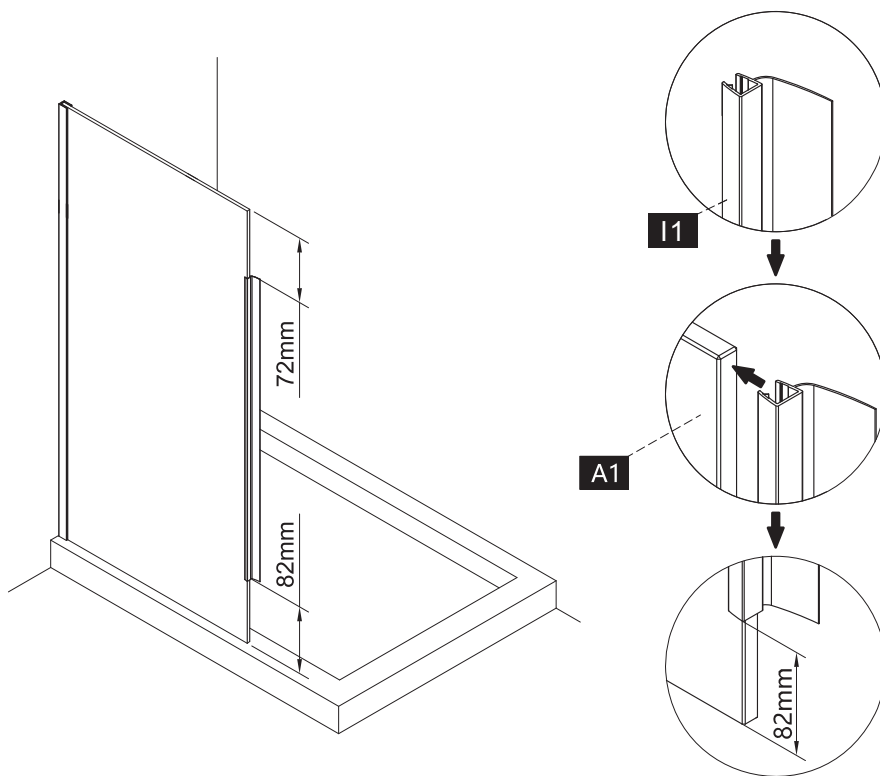
2.11



21

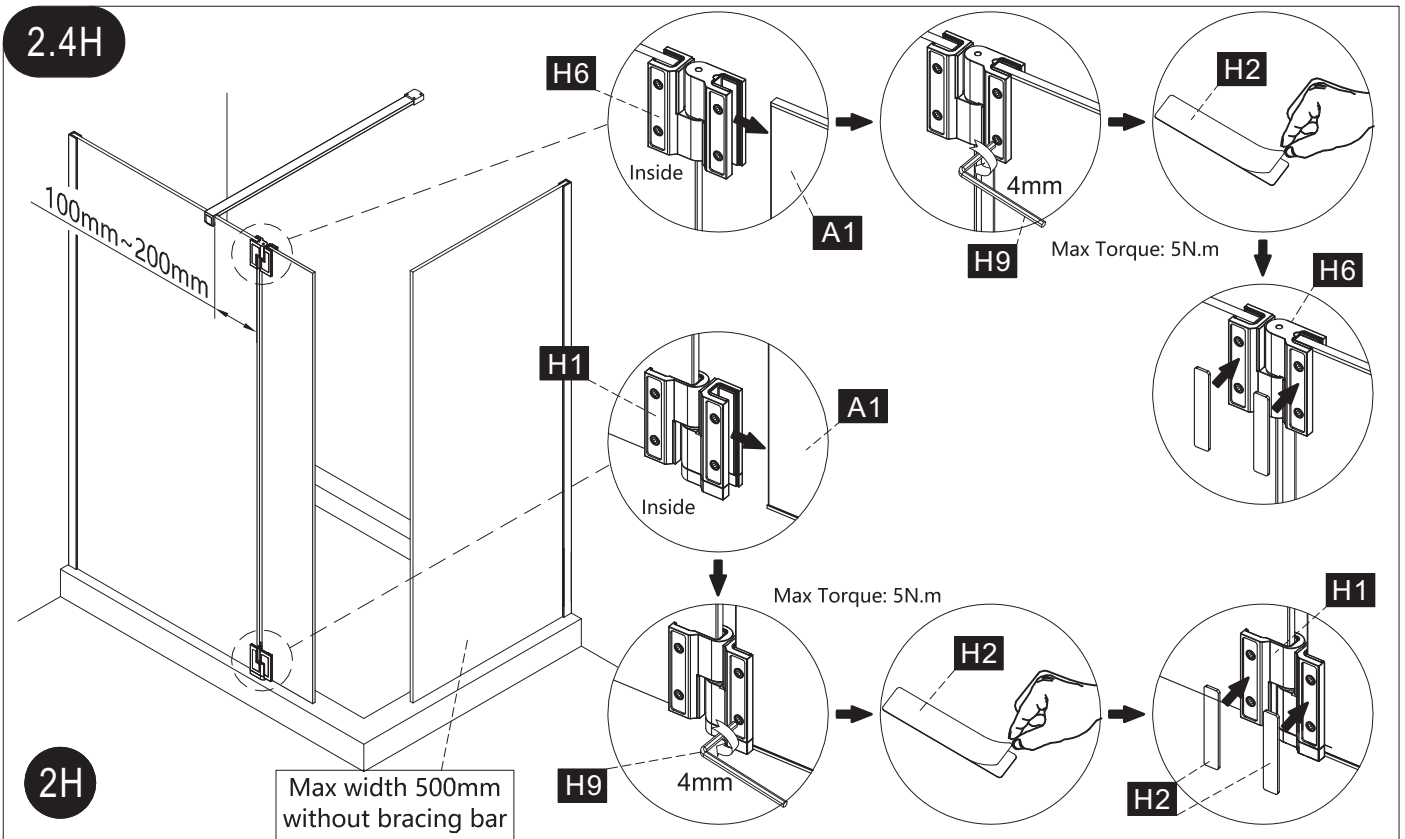
Step 50

2.21

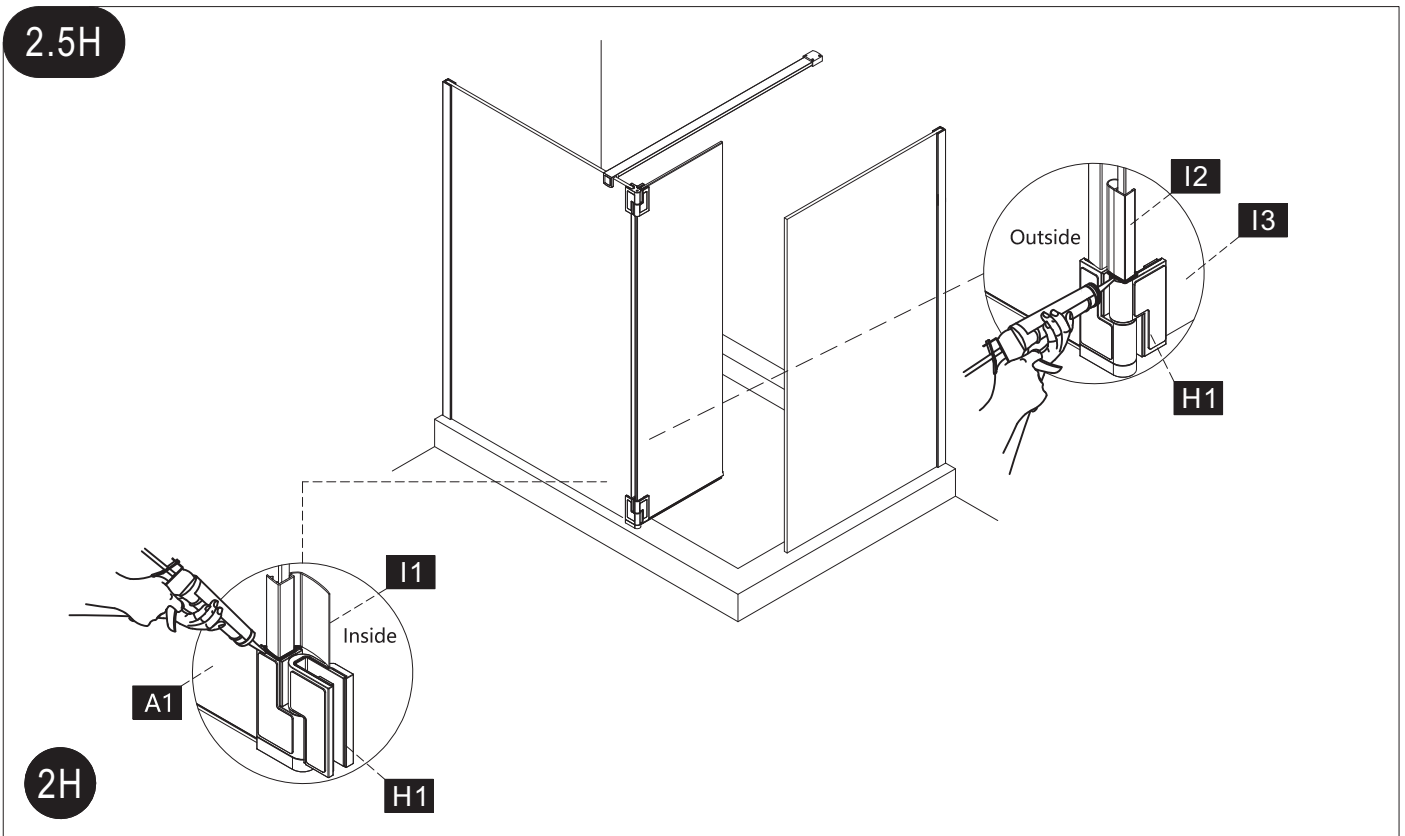


21

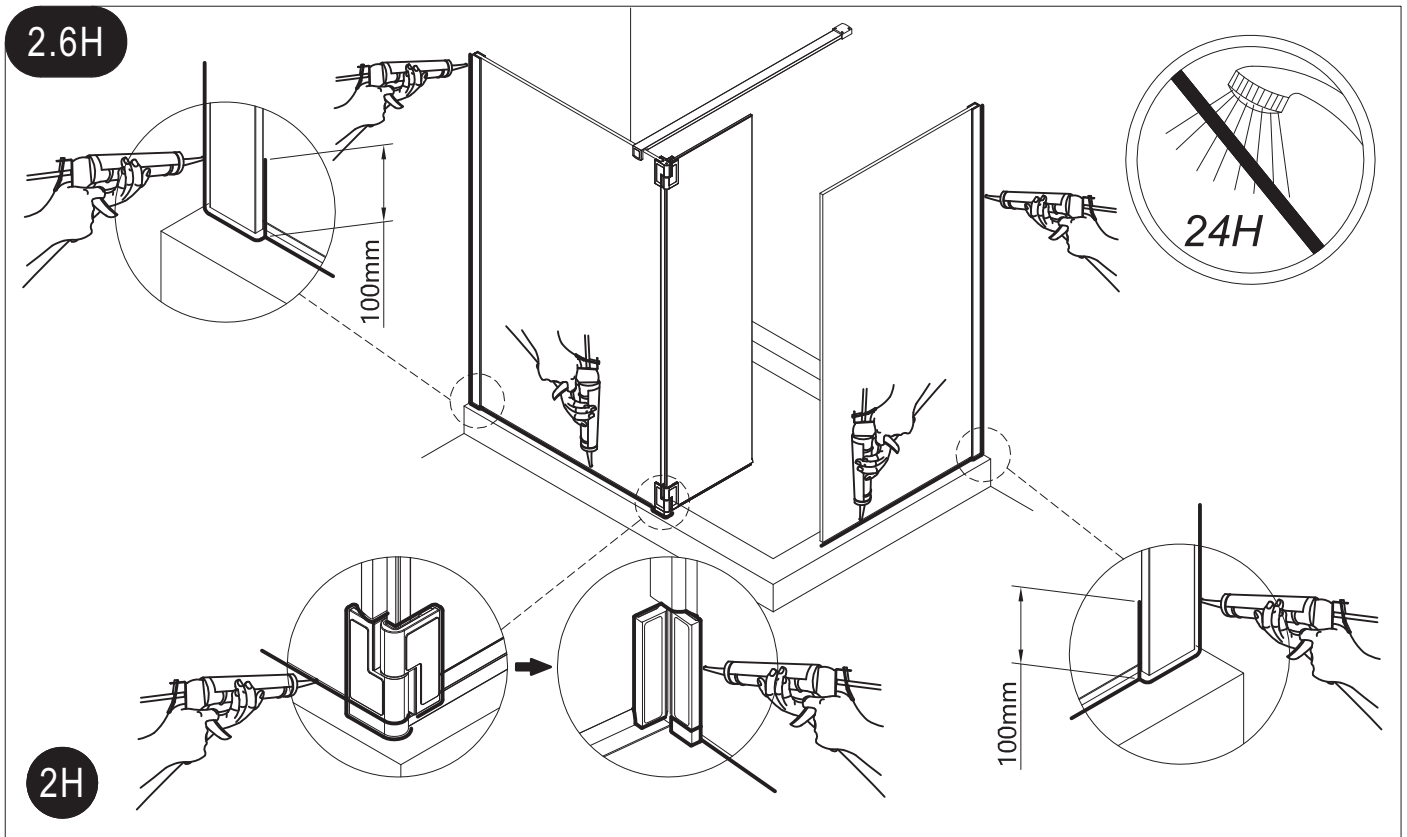
Step 51



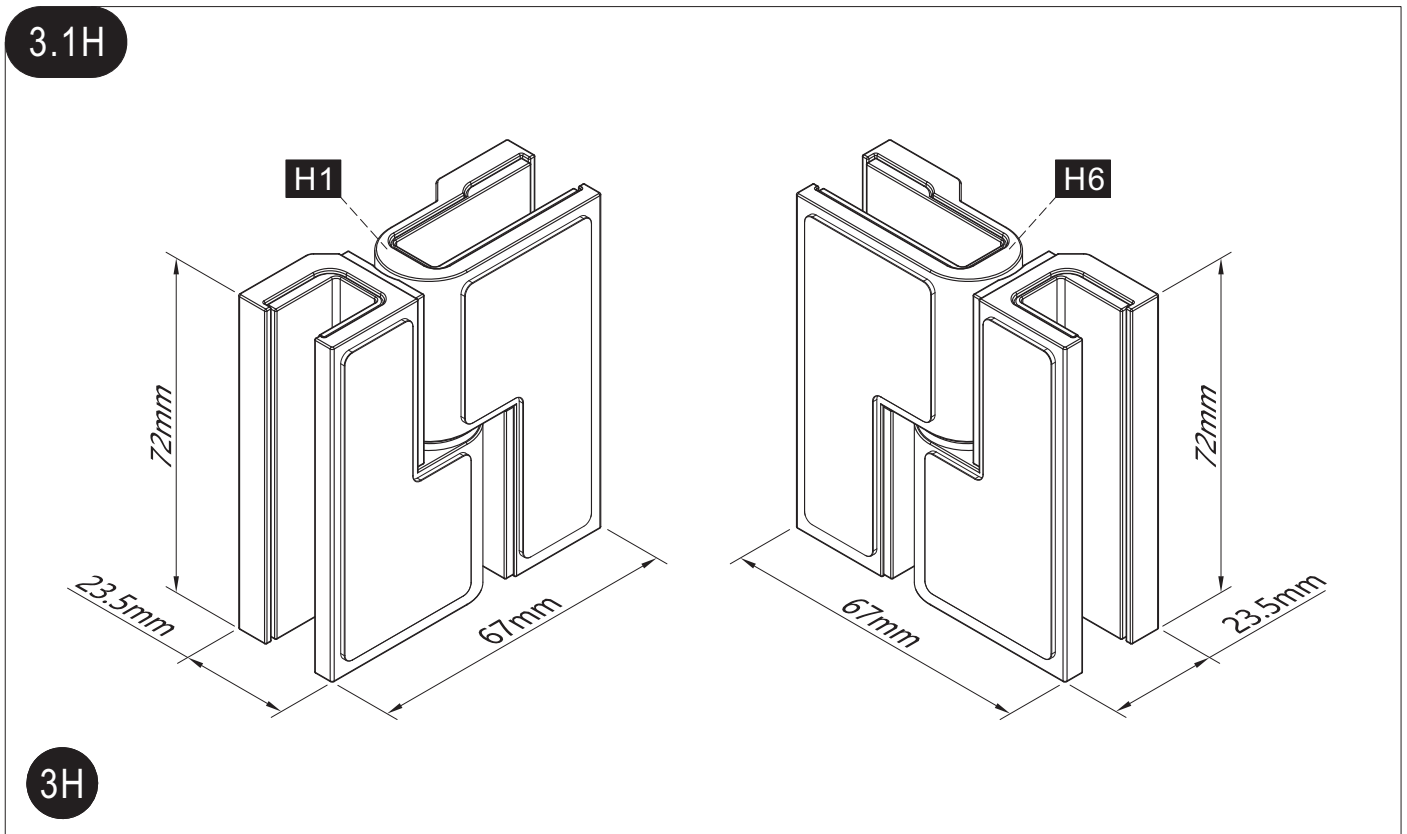
Step 52



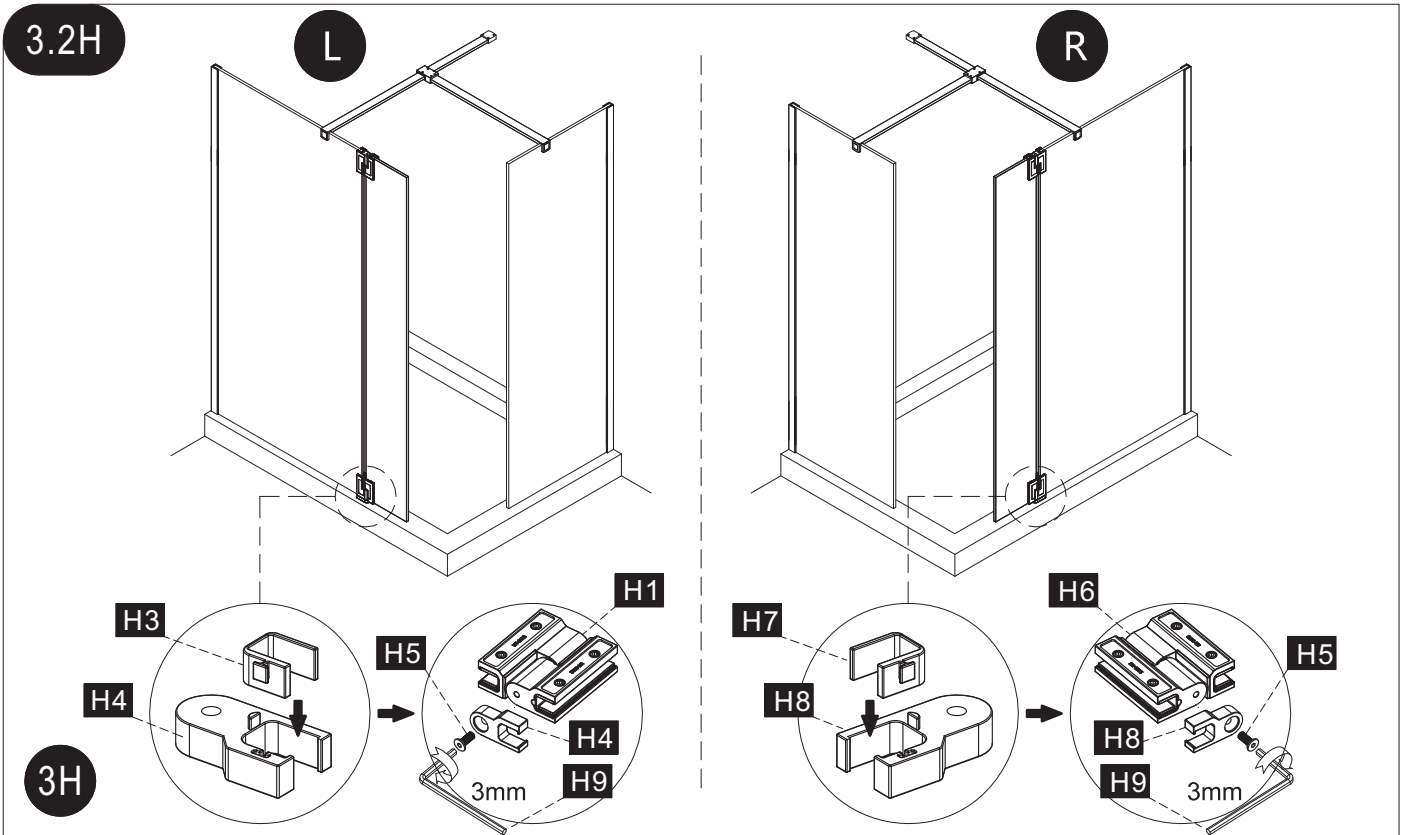
Step 53



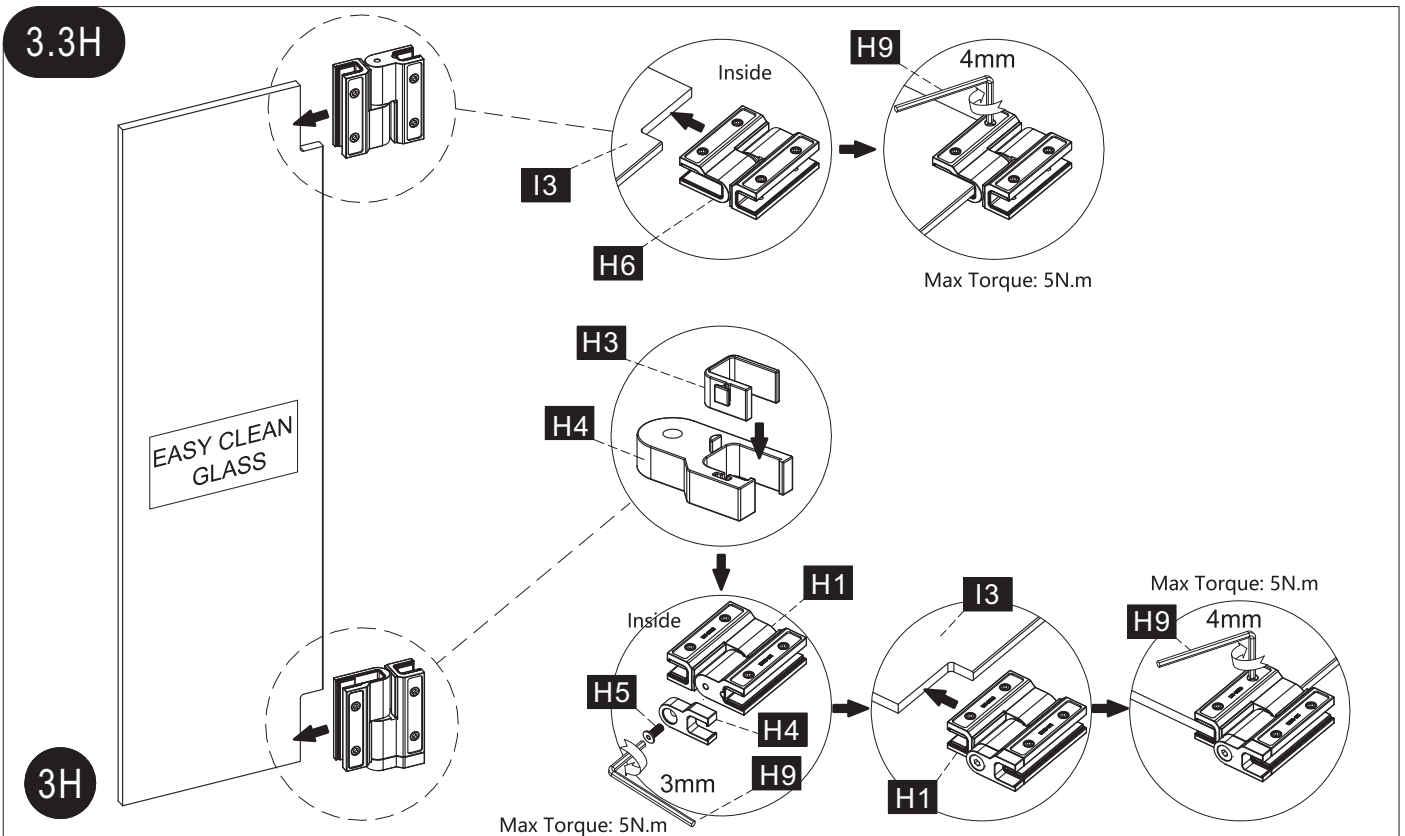
Step 54



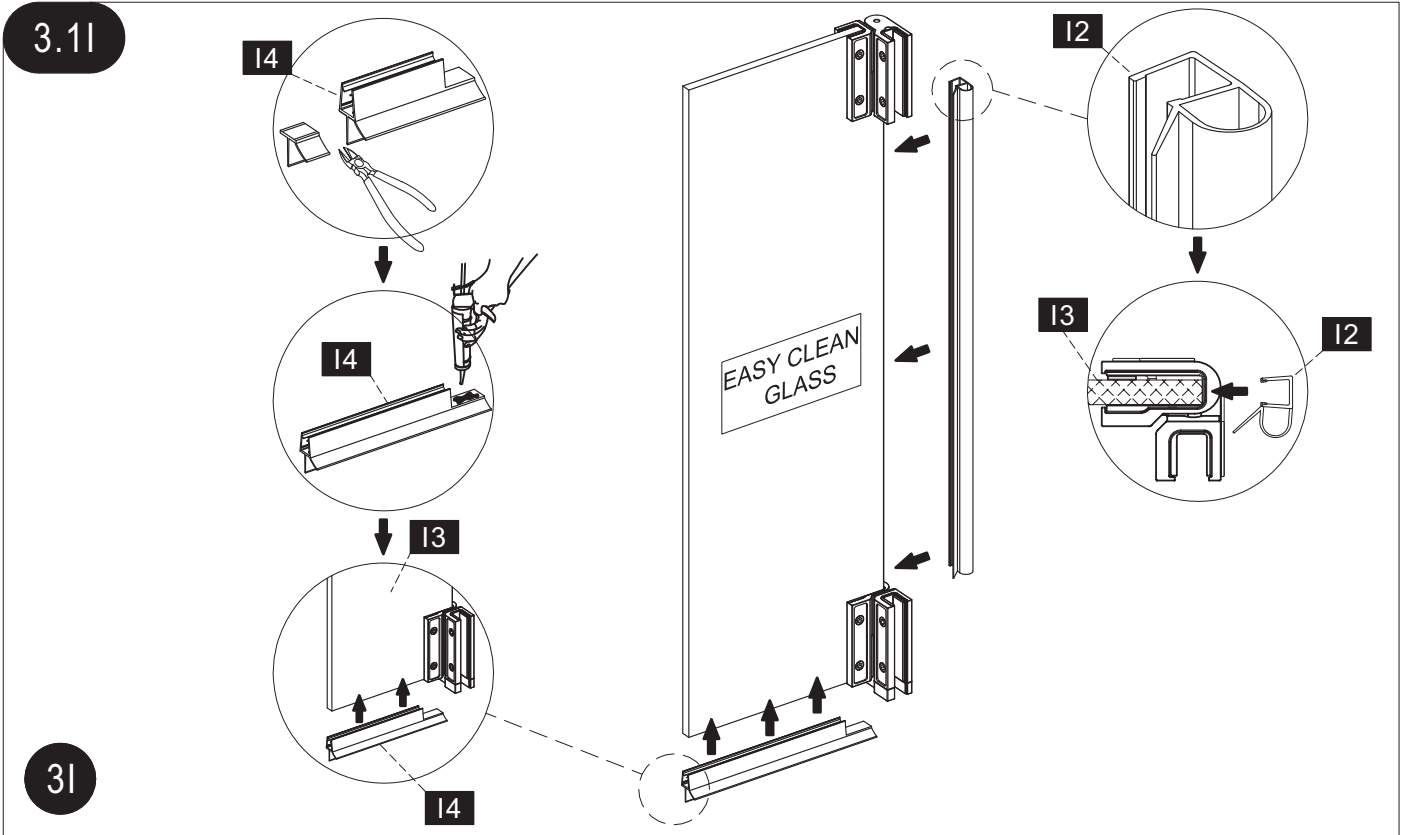
Step 55



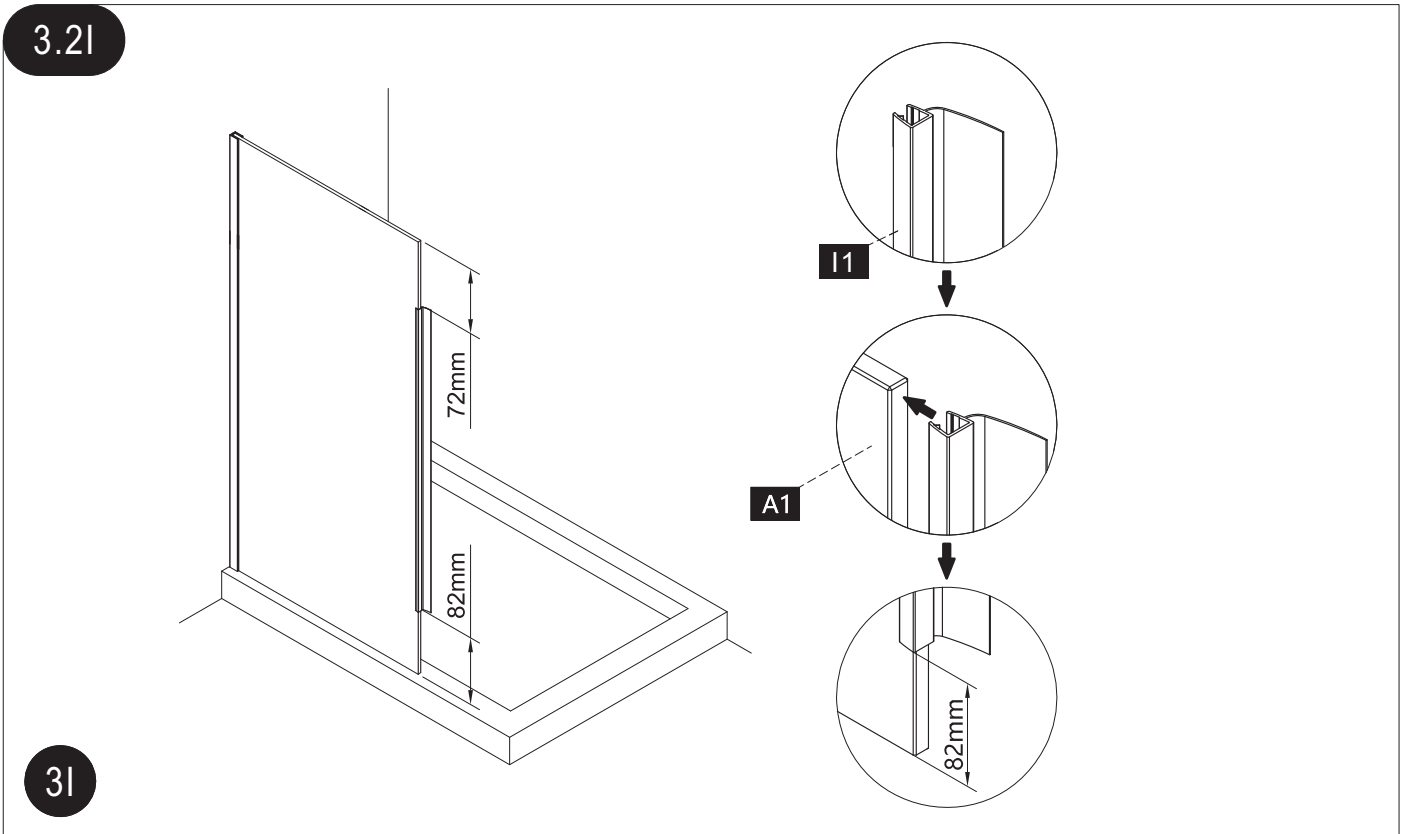
Step 56



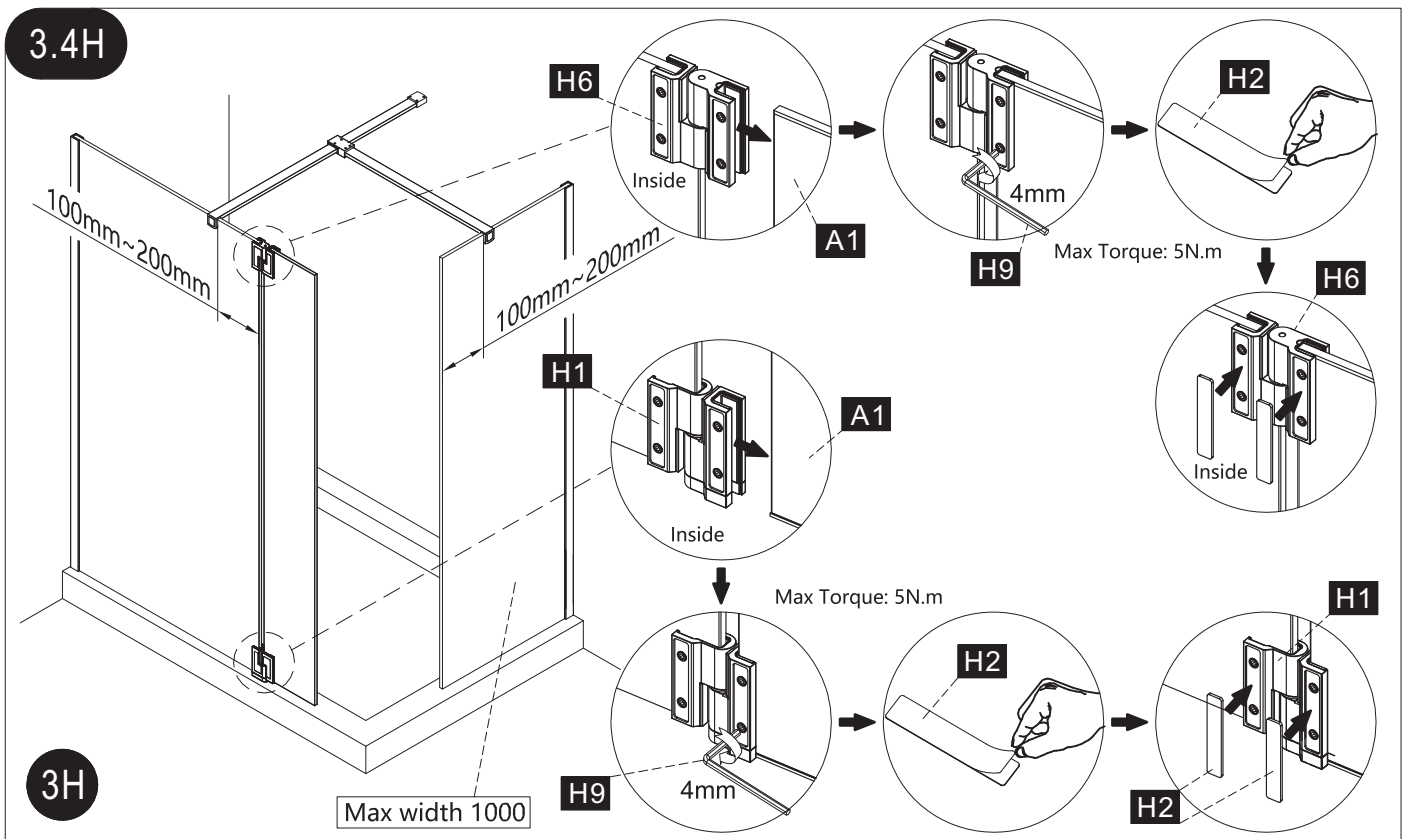
Step 57



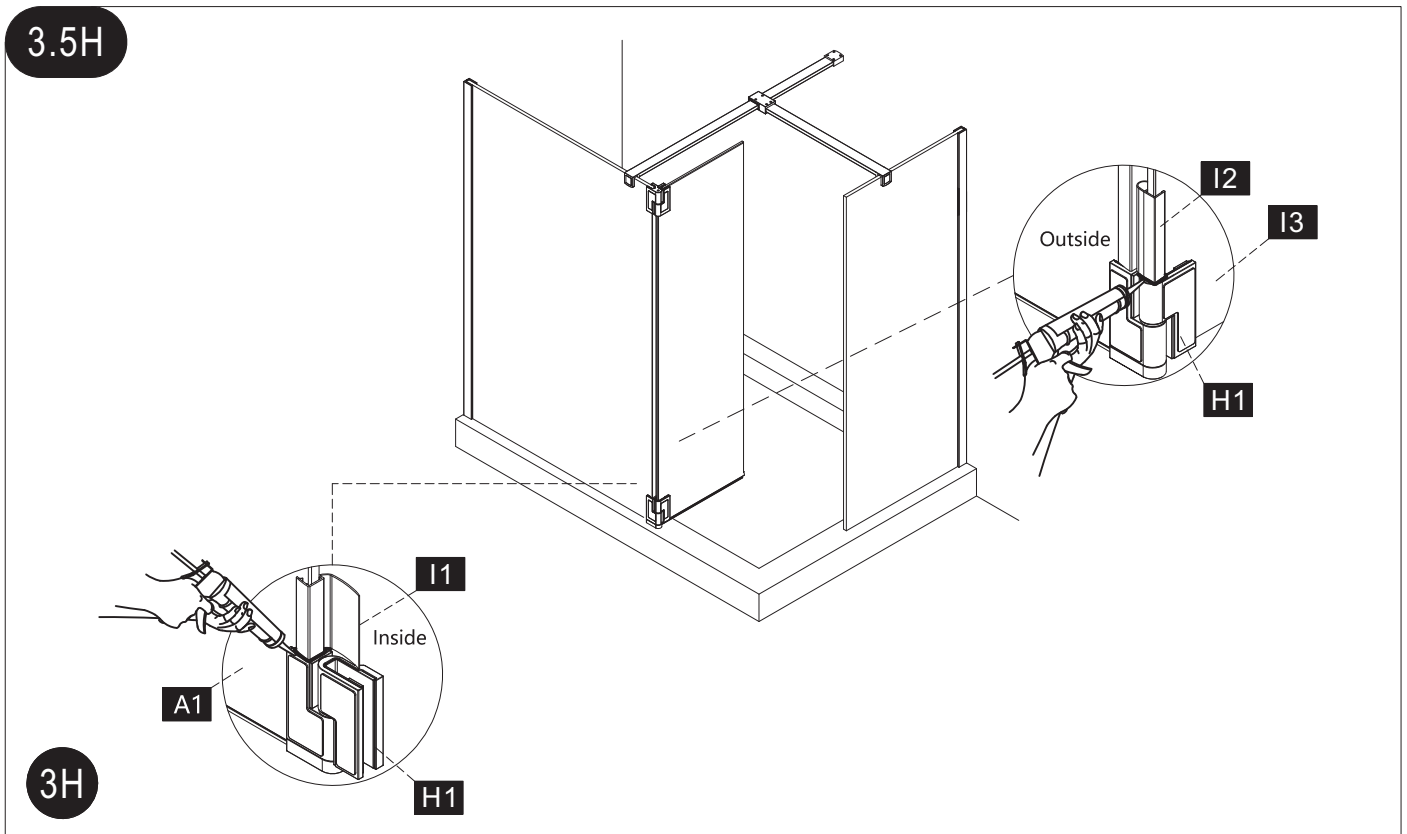
Step 58



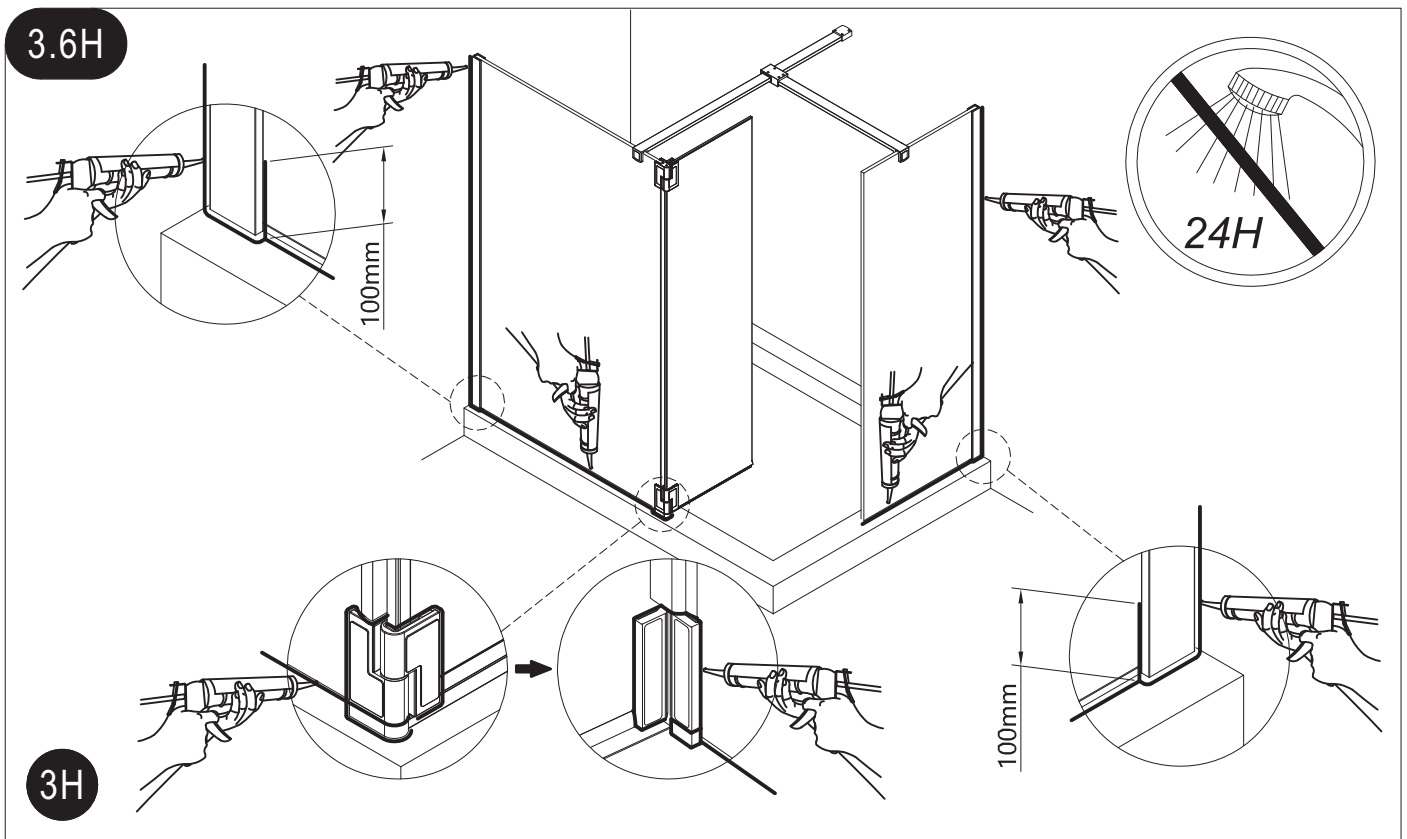
Step 59



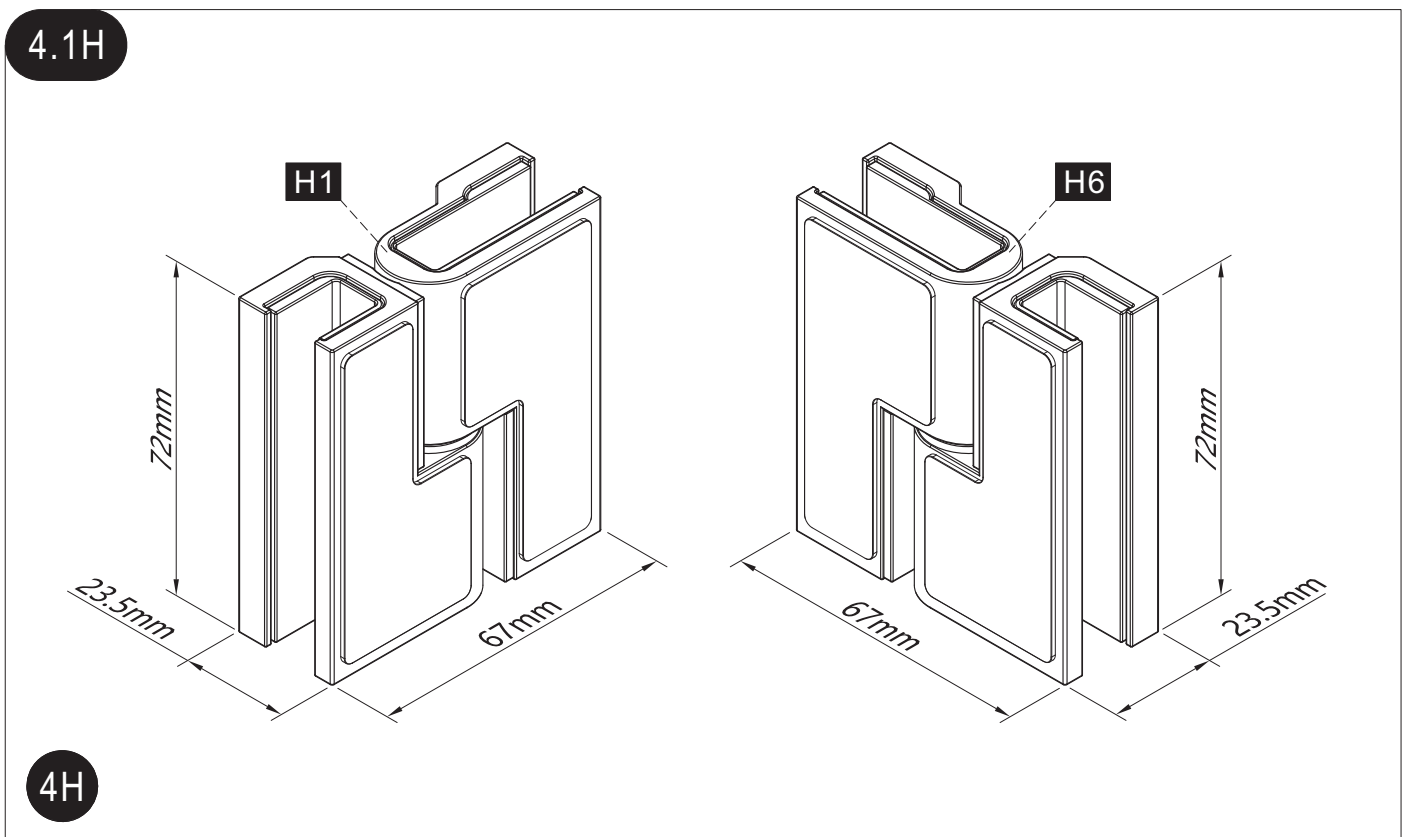
Step 60



## Step 61

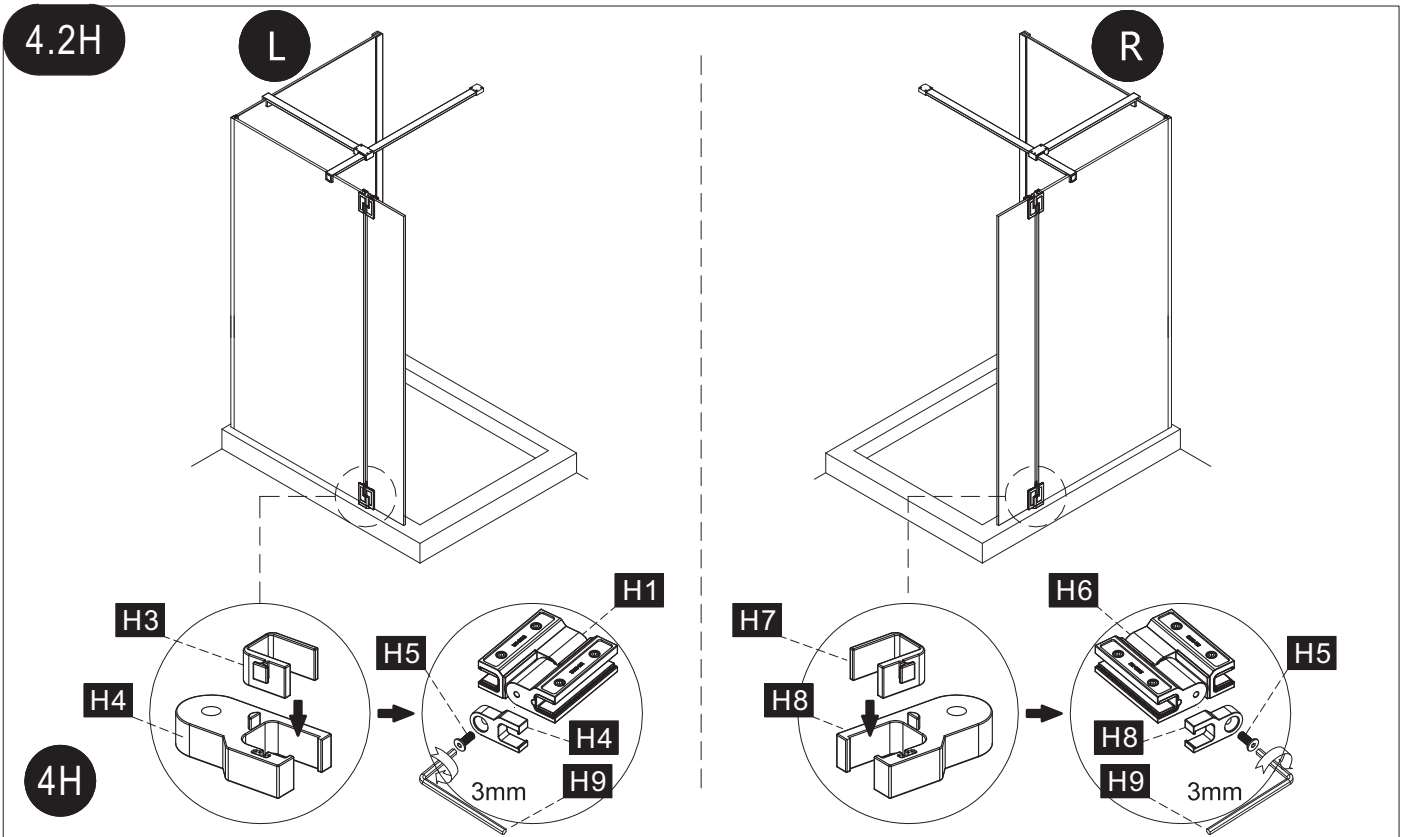


## Step 62

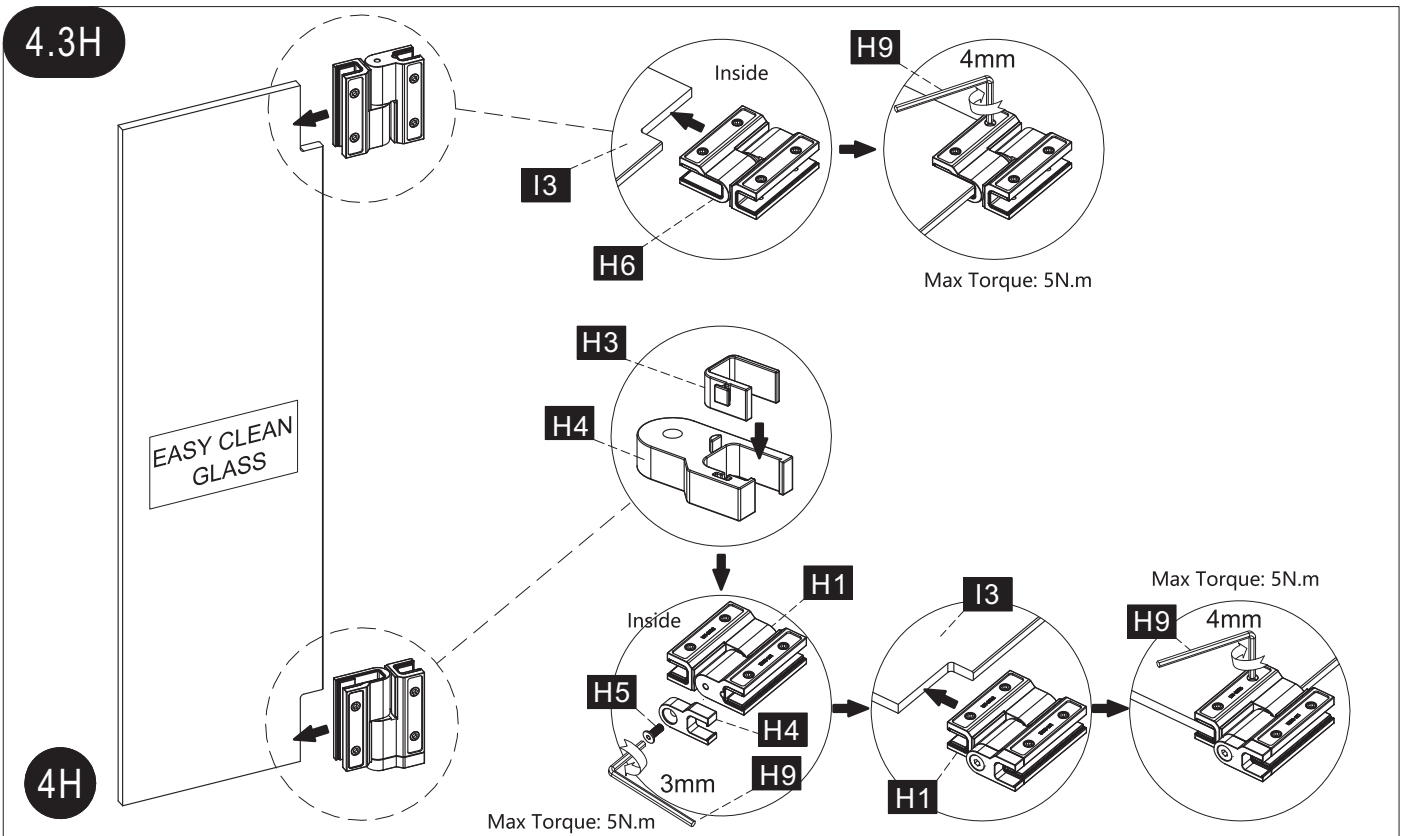




Step 63

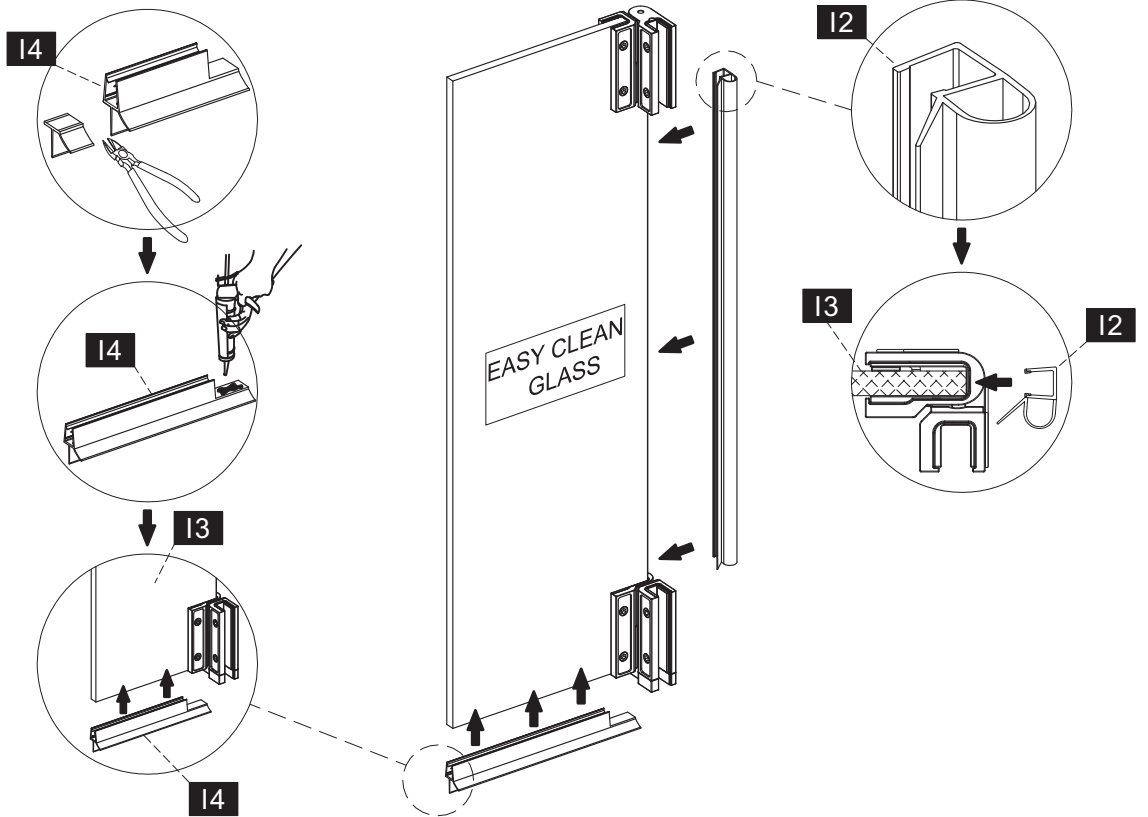


Step 64



Step 65

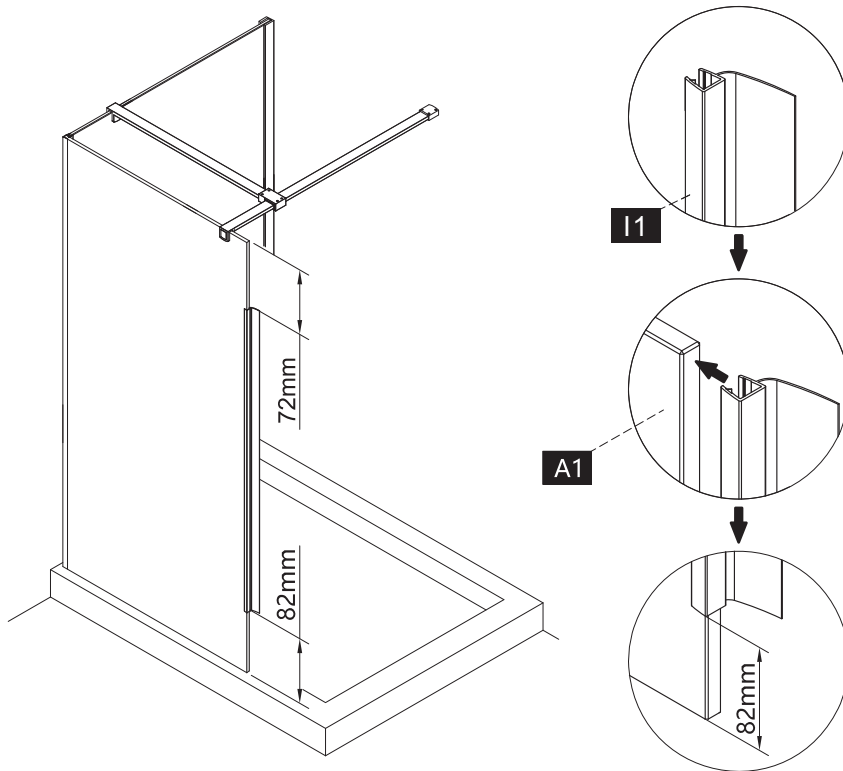
4.11



41

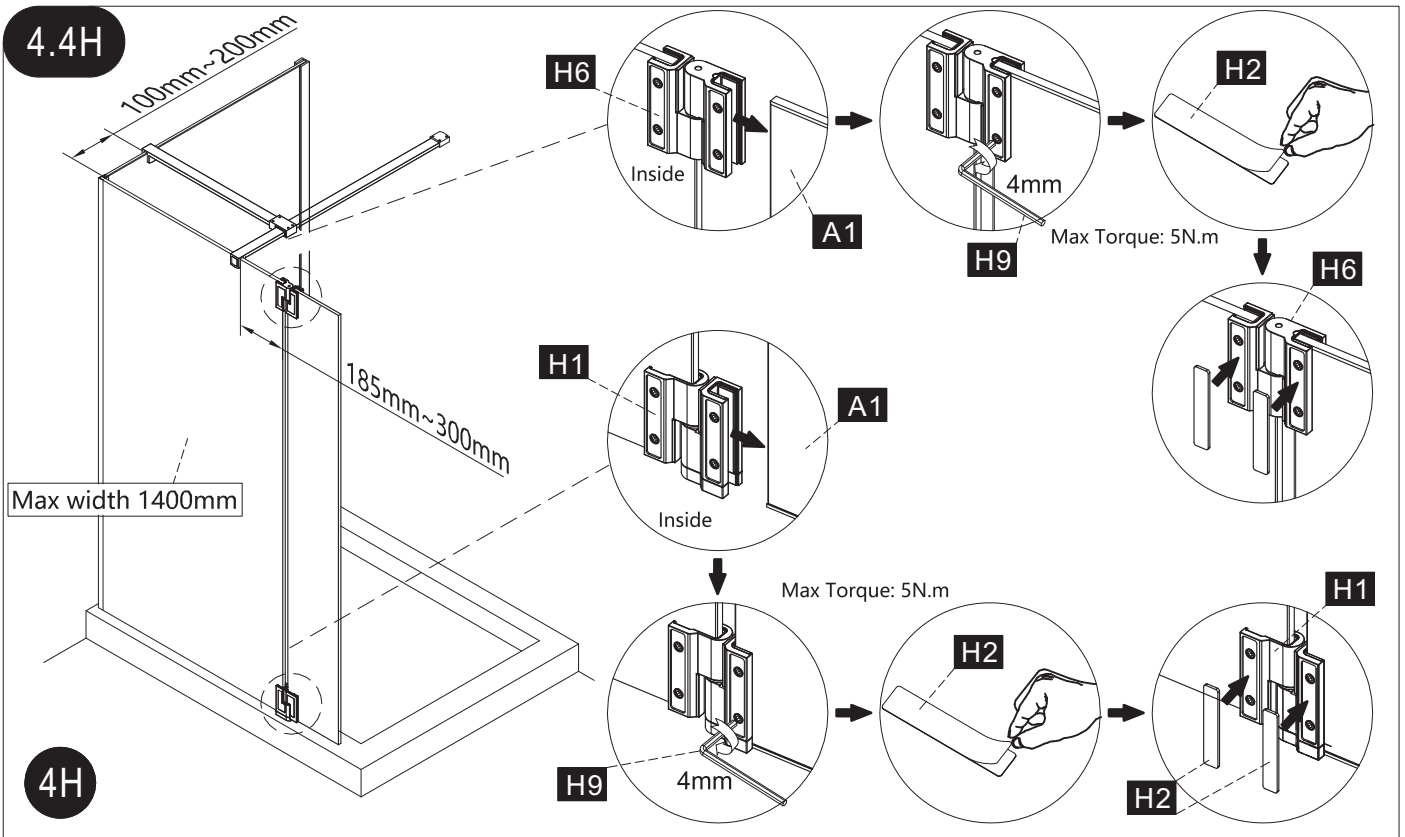
Step 66

4.21

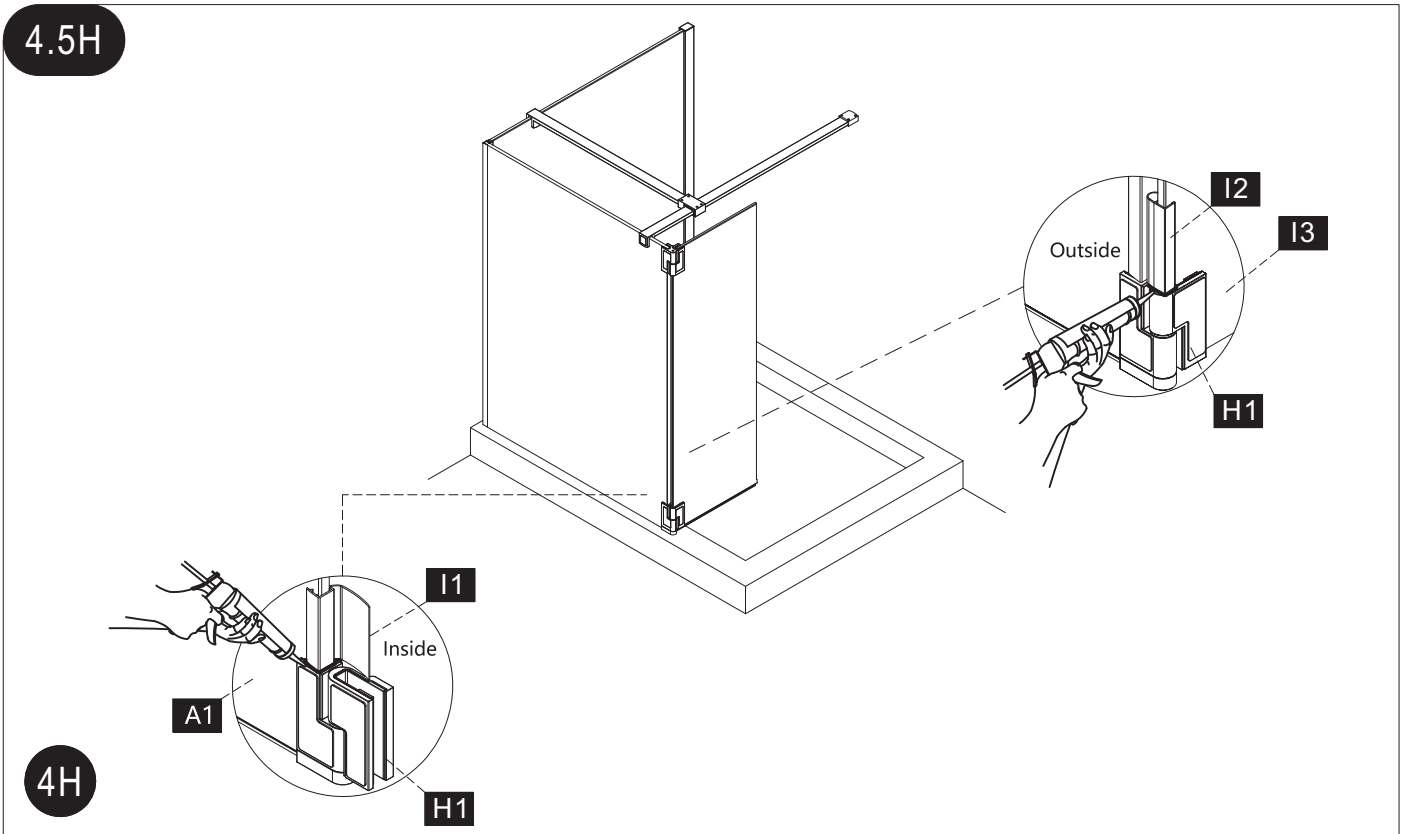


41

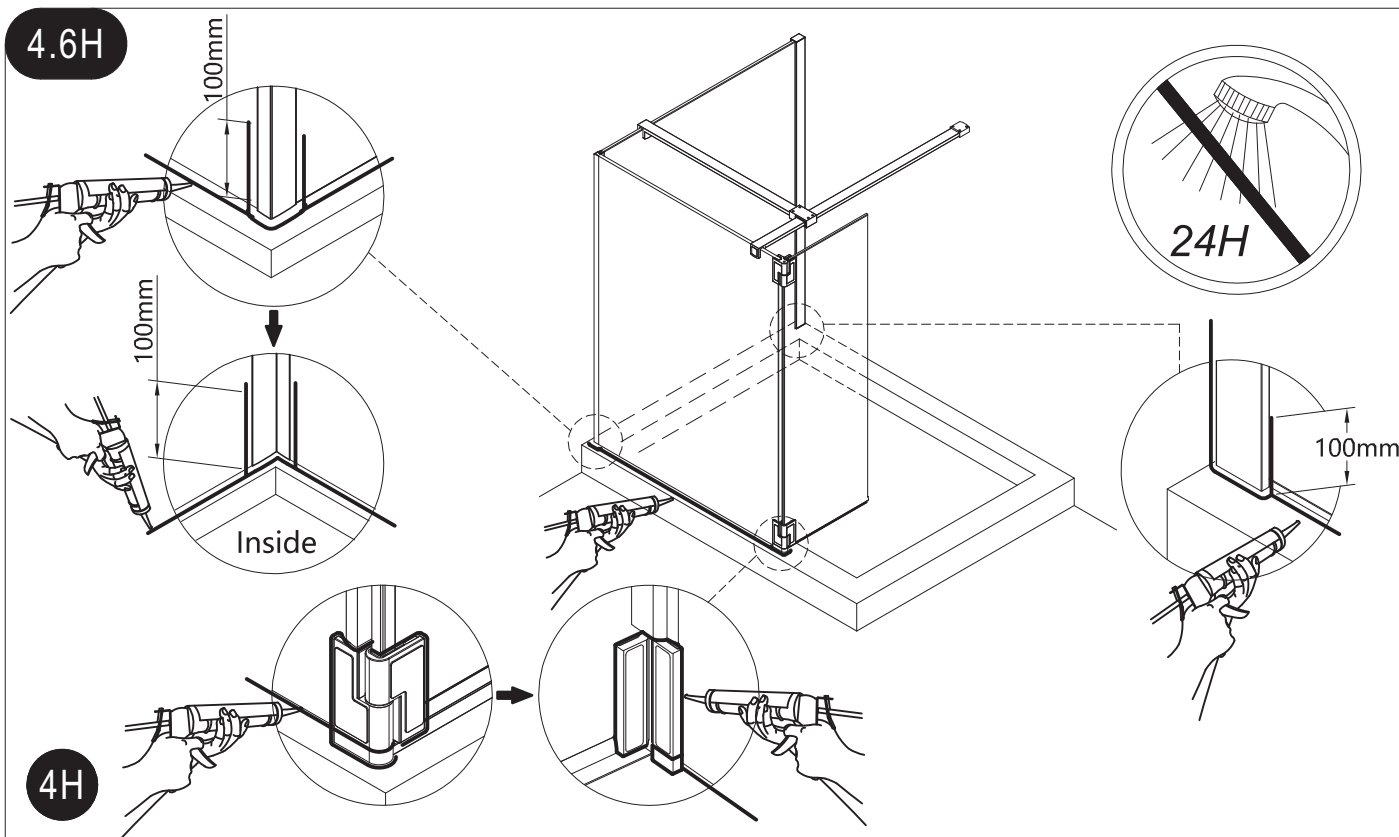
Step 67



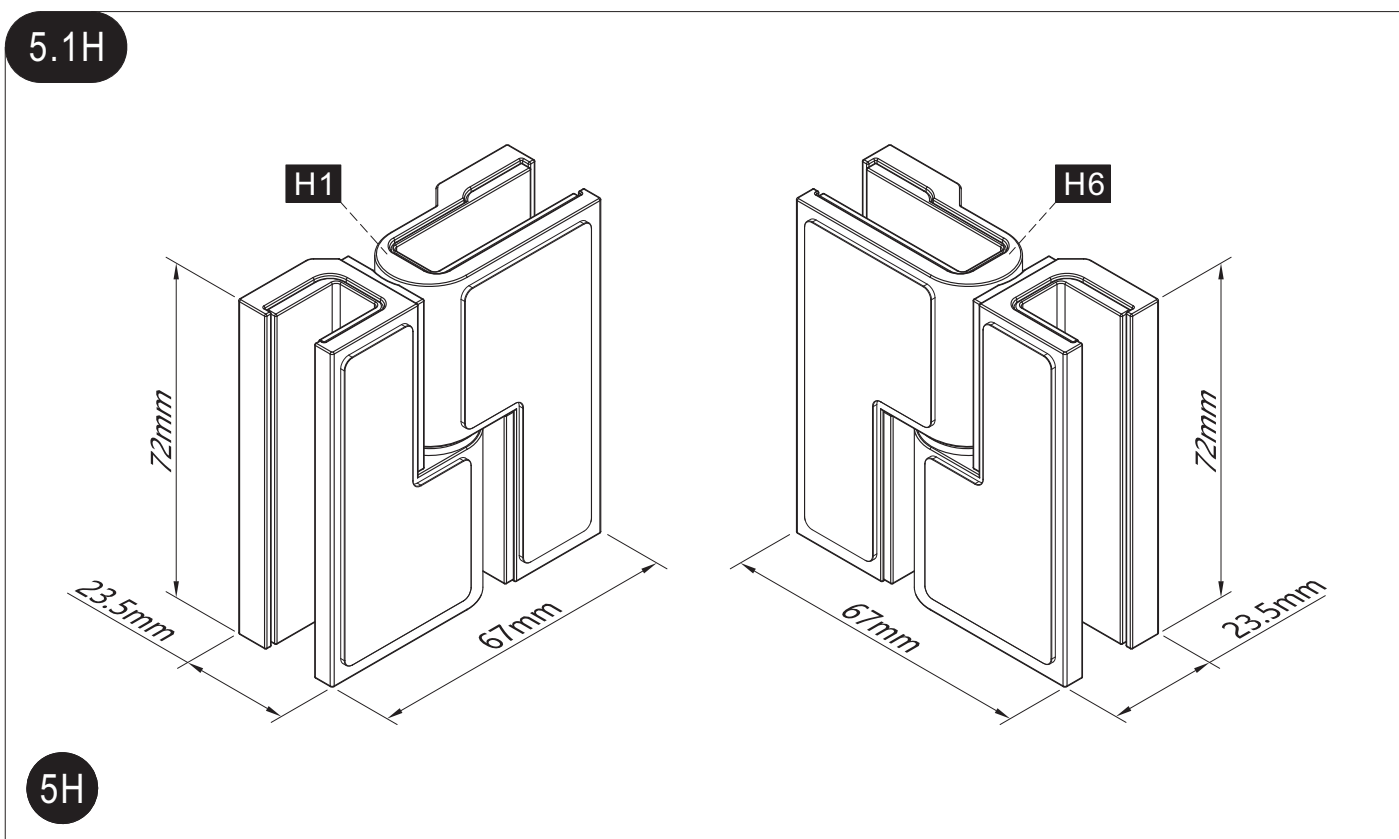
Step 68



Step 69

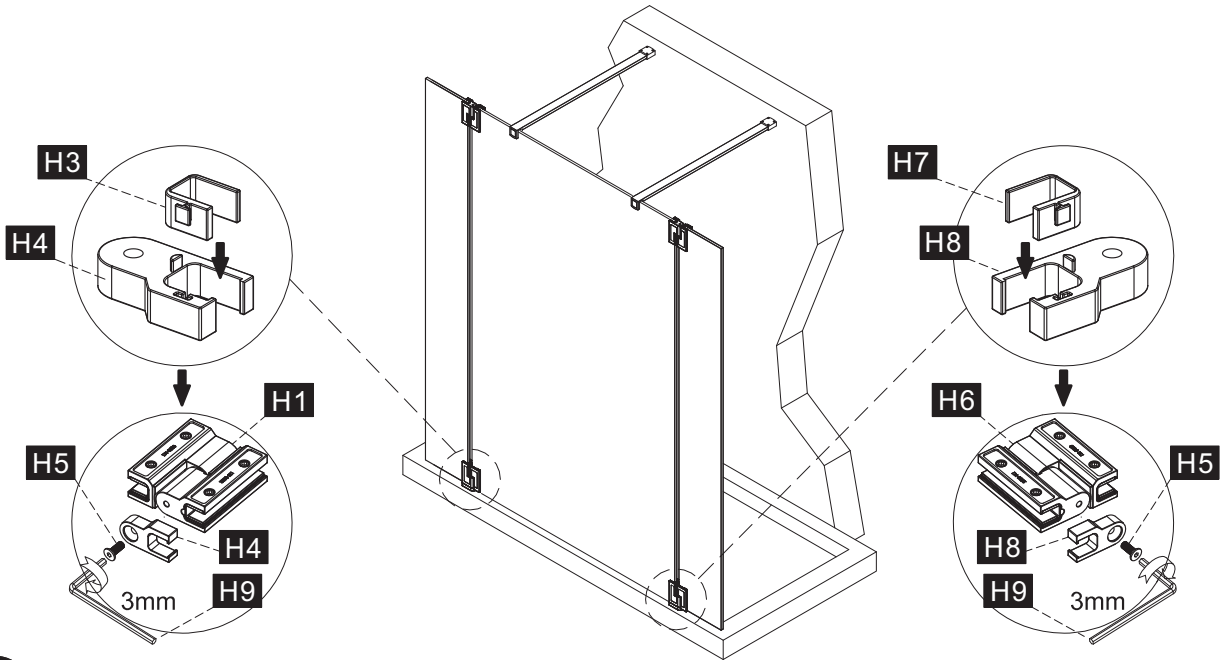


Step 70



## Step 71

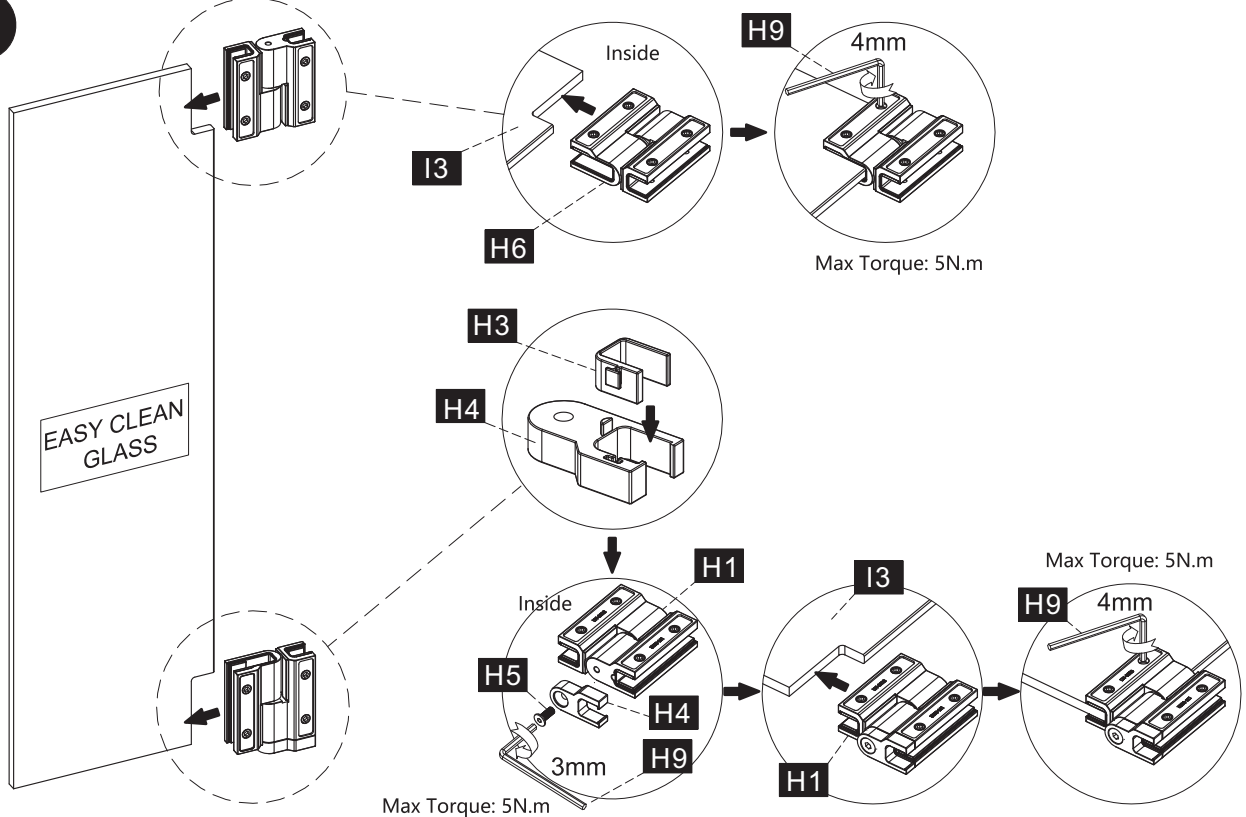
5.2H



5H

## Step 72

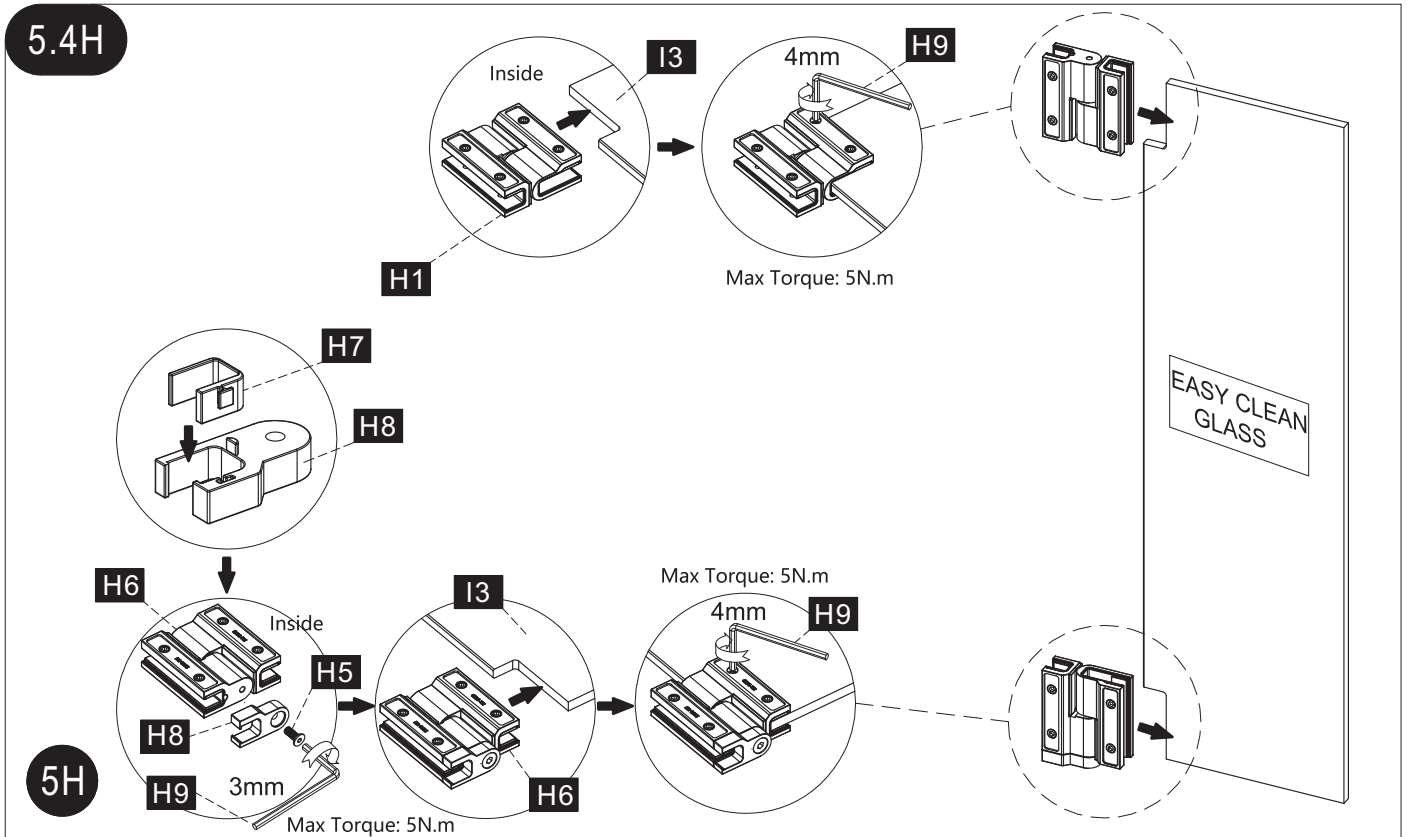
5.3H



5H

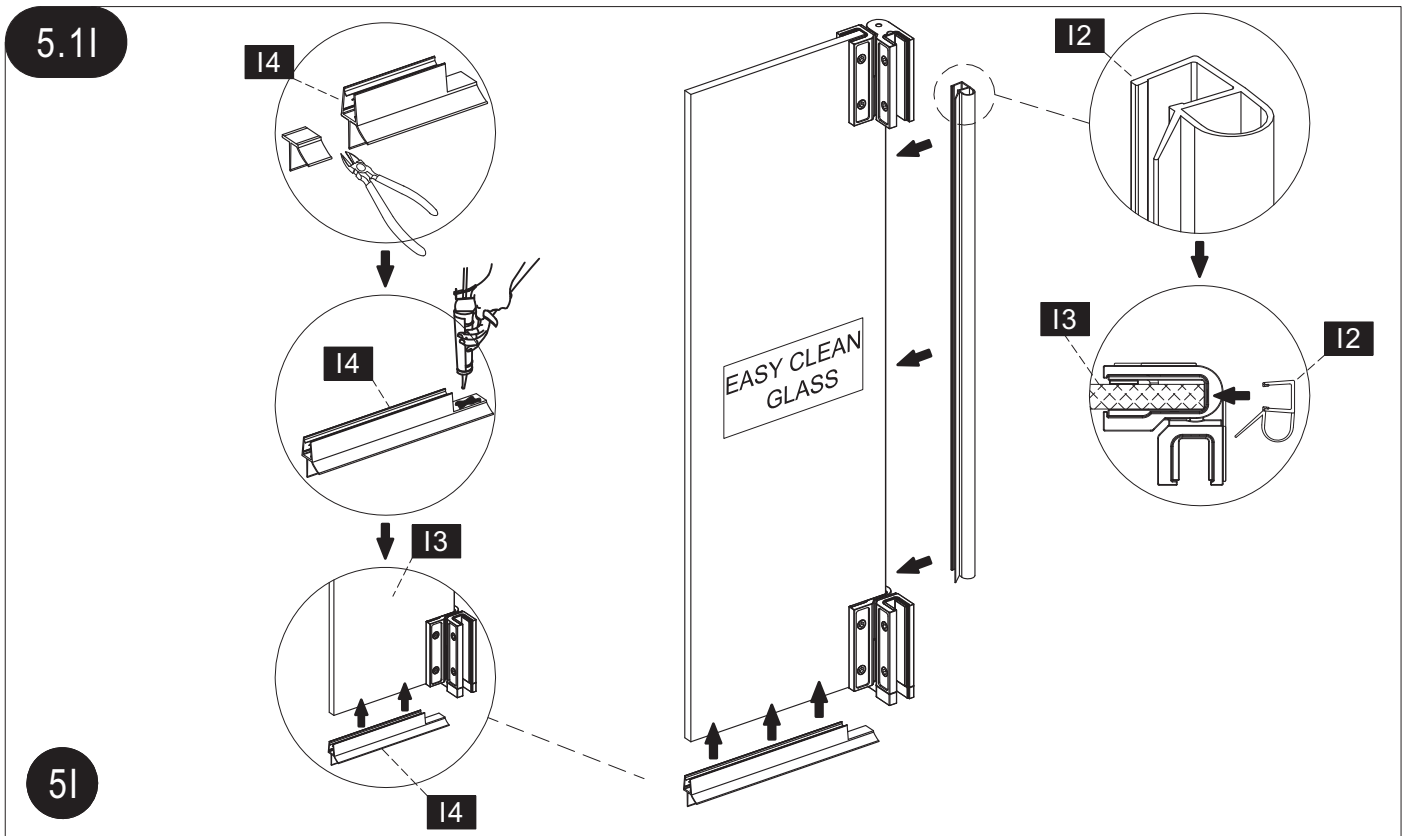
## Step 73

5.4H

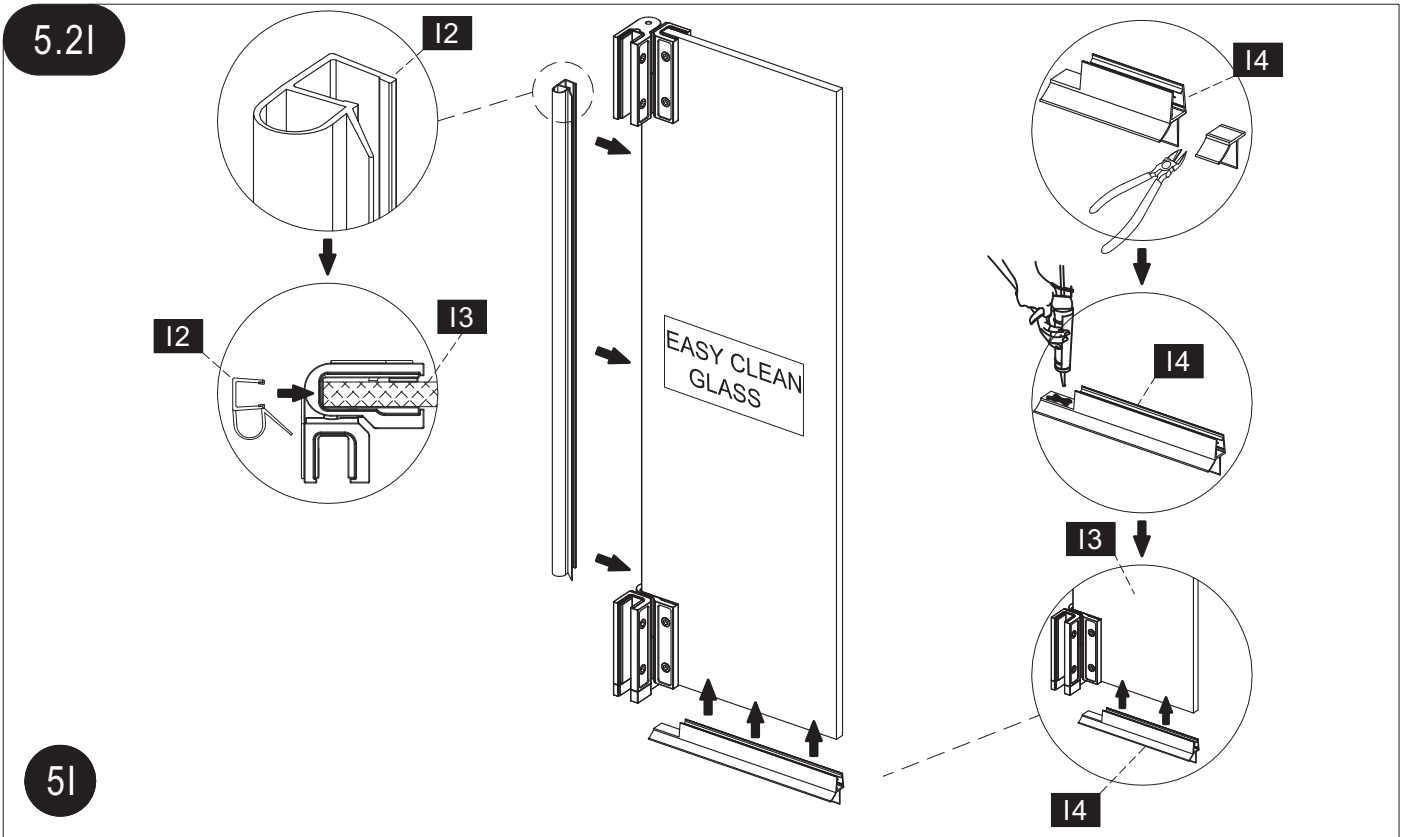


## Step 74

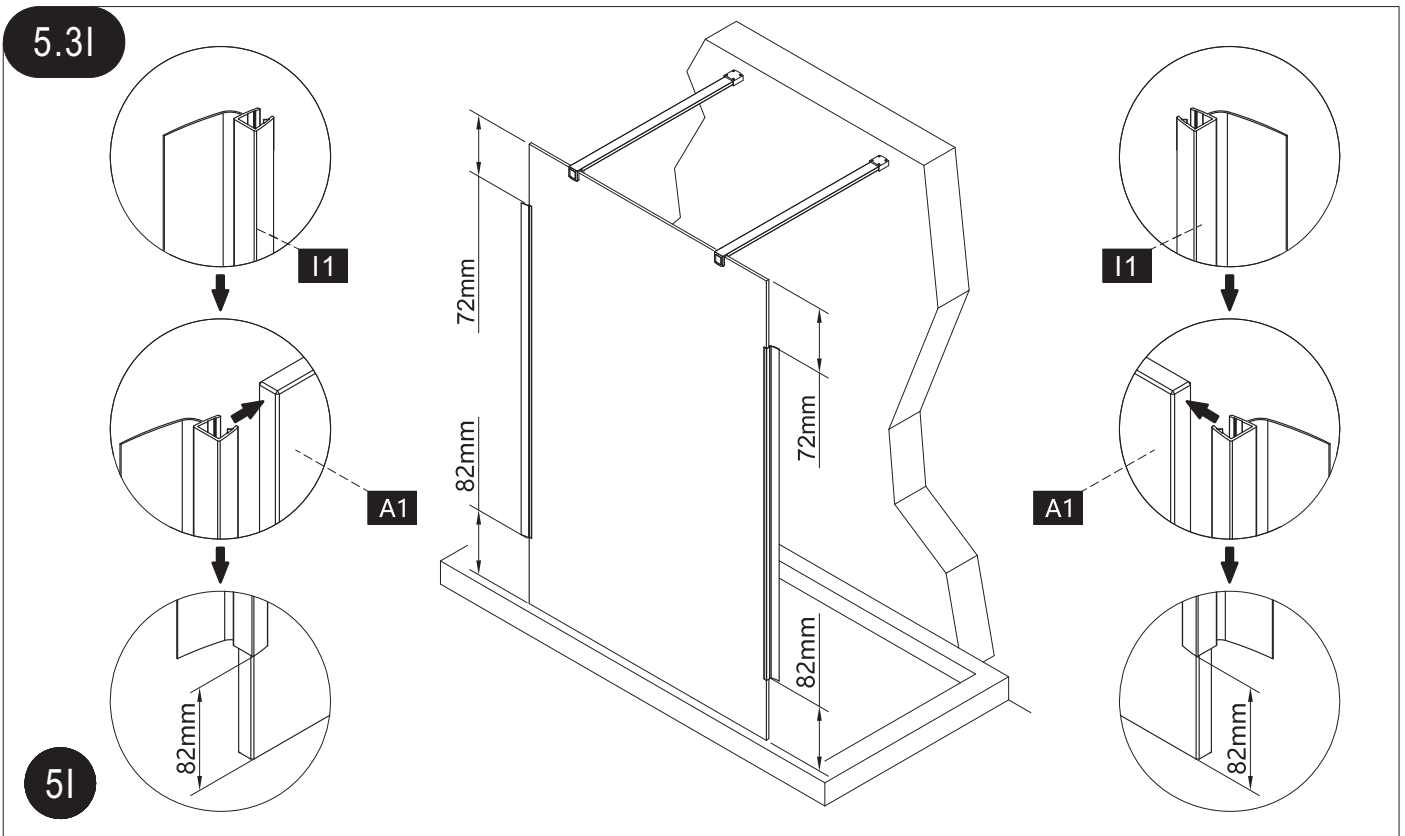
5.11



Step 75

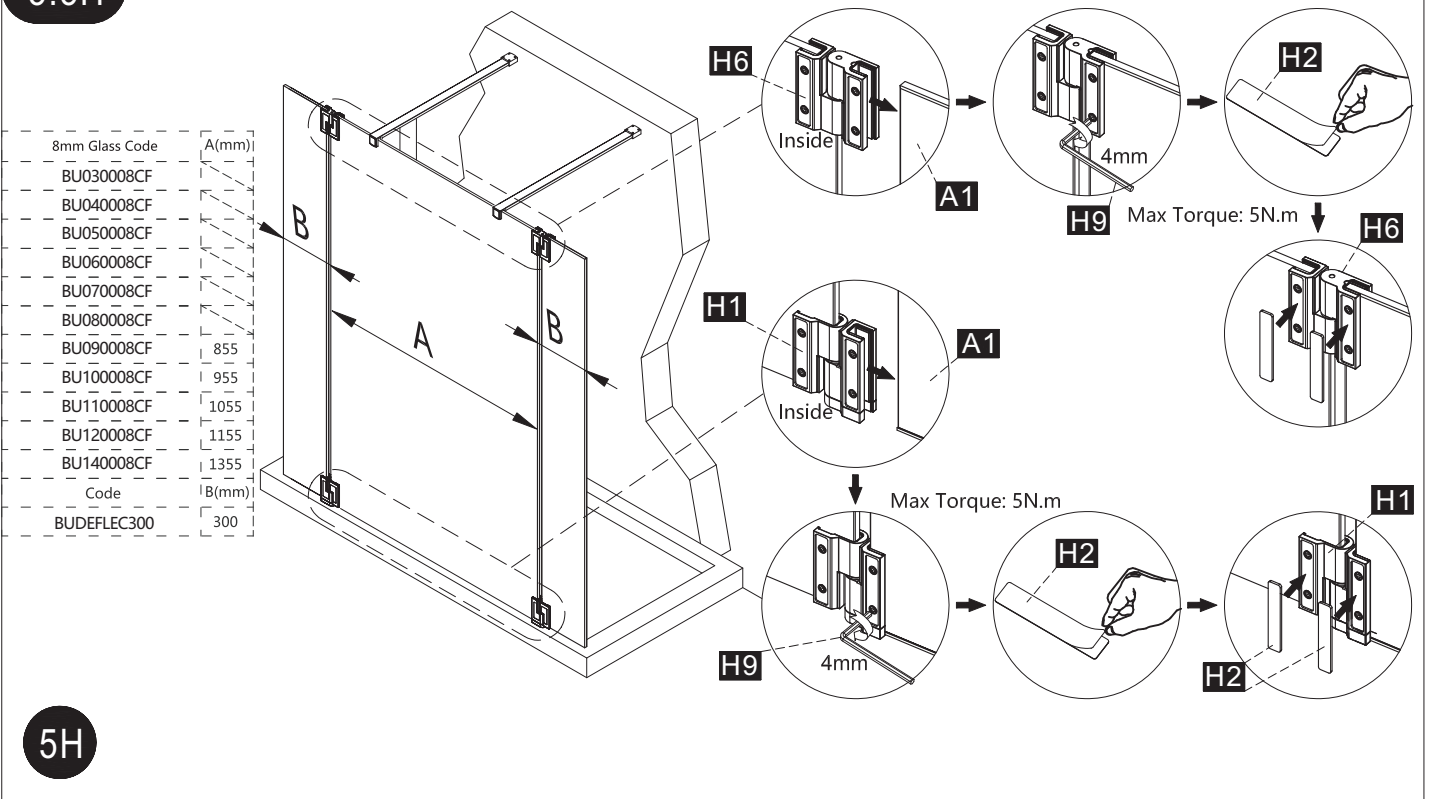


Step 76



## Step 77

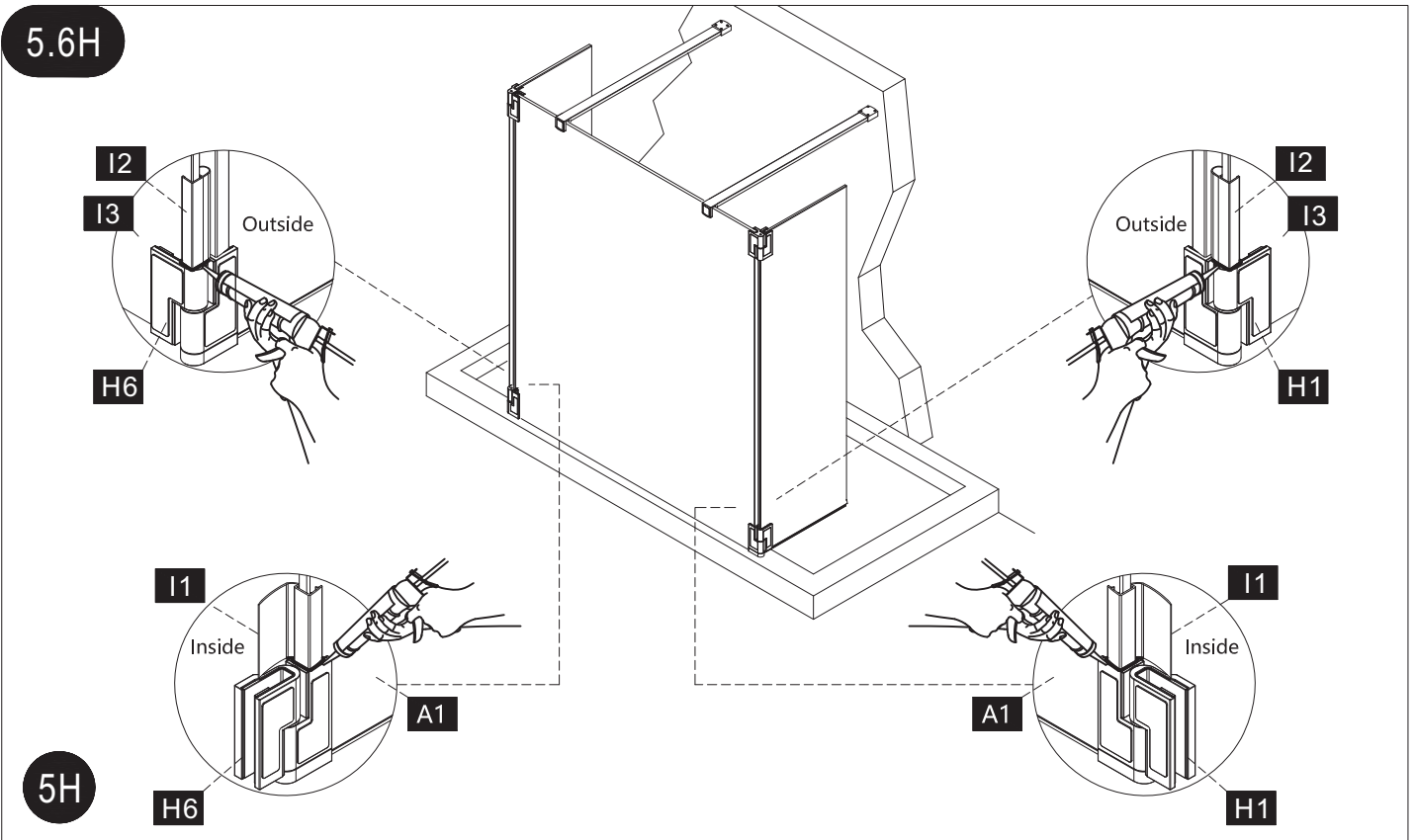
### 5.5H



### 5H

## Step 78

### 5.6H

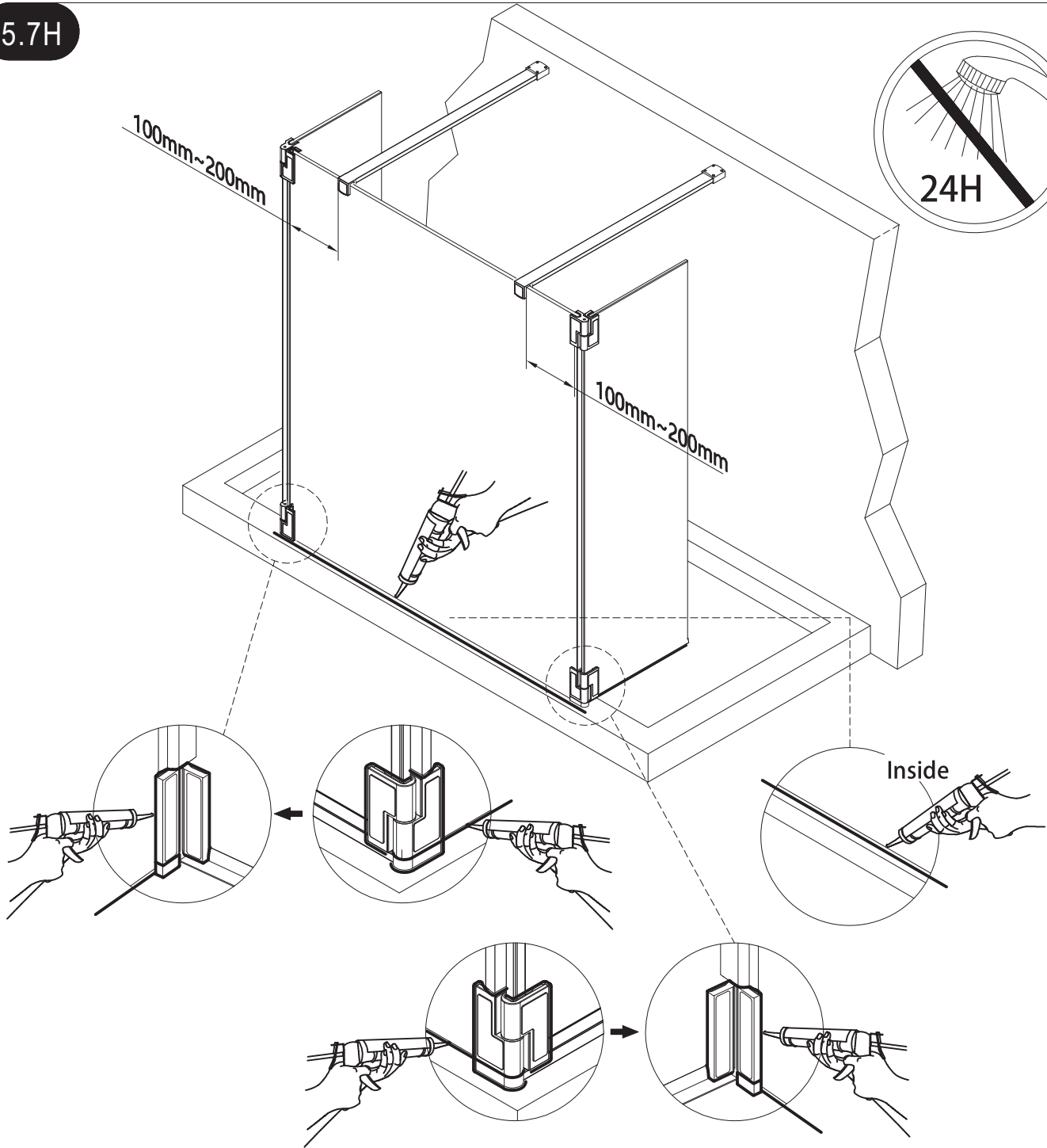


### 5H



Step 79

5.7H



5H

*Burlington*<sup>®</sup>

Lake View House

Rennie Drive

Dartford

Kent DA1 5FU

Tel: +44 1322 473222

Email: [info@bathroombrands.com](mailto:info@bathroombrands.com)

[www.burlingtonbathrooms.com](http://www.burlingtonbathrooms.com)

The manufacturer reserves the right to make technical modifications without prior notice.