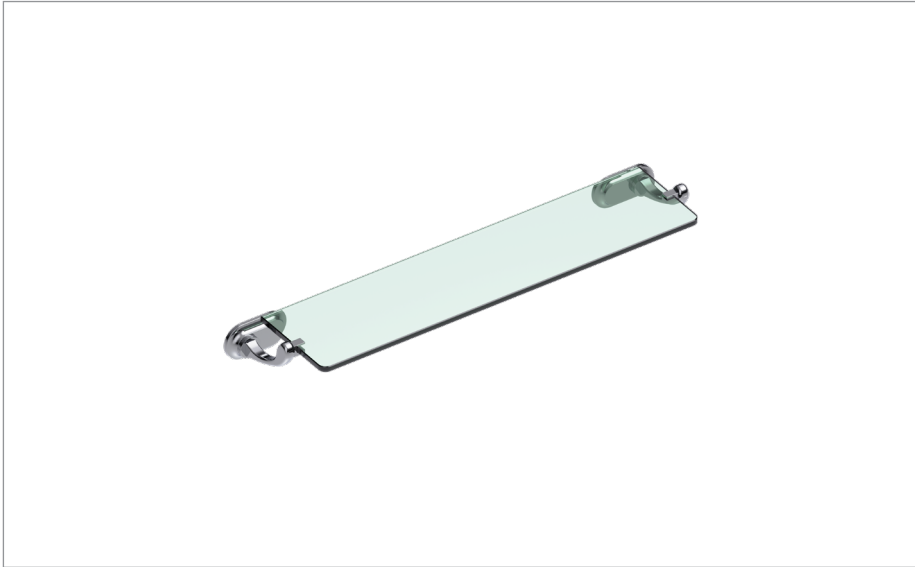


PRODUCT DATA SHEET

Burlington[®]



PRODUCT CODE

GU030C

RANGE

Guild

DESCRIPTION

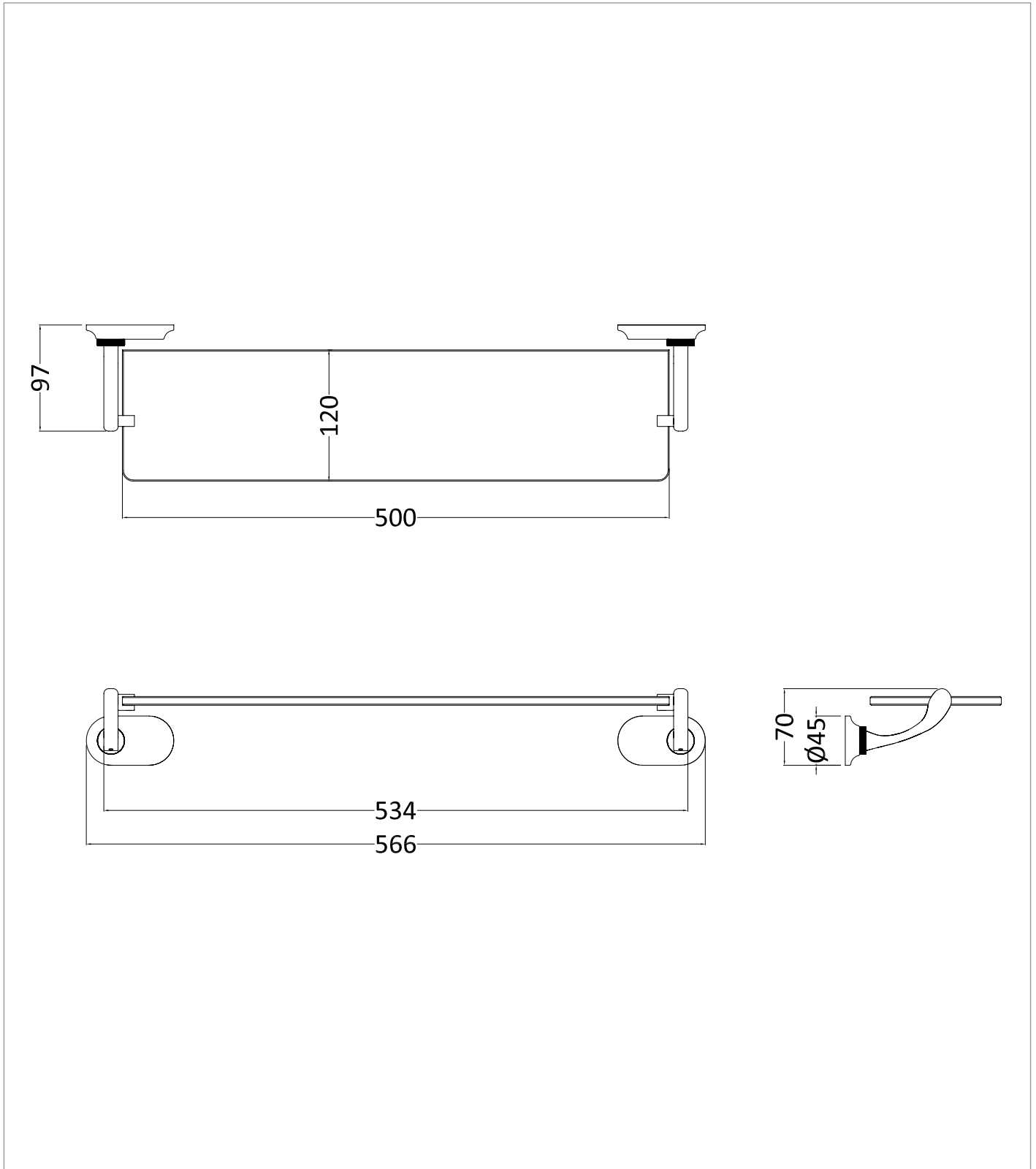
Guild Glass Shelf Chrome

CATEGORY	Accessories
WARRANTY DETAILS	15 Years
COLOUR	Chrome
FINISH APPLICATION	Electroplated
PRIMARY MATERIAL	Brass
SECONDARY MATERIAL	Glass
INSTALL TYPE	Wall Mounted
PRODUCT WIDTH MM	566
PRODUCT HEIGHT MM	70
PRODUCT DEPTH MM	143
PRODUCT NET WEIGHT KG	1.51

TECHNICAL DIMENSIONS

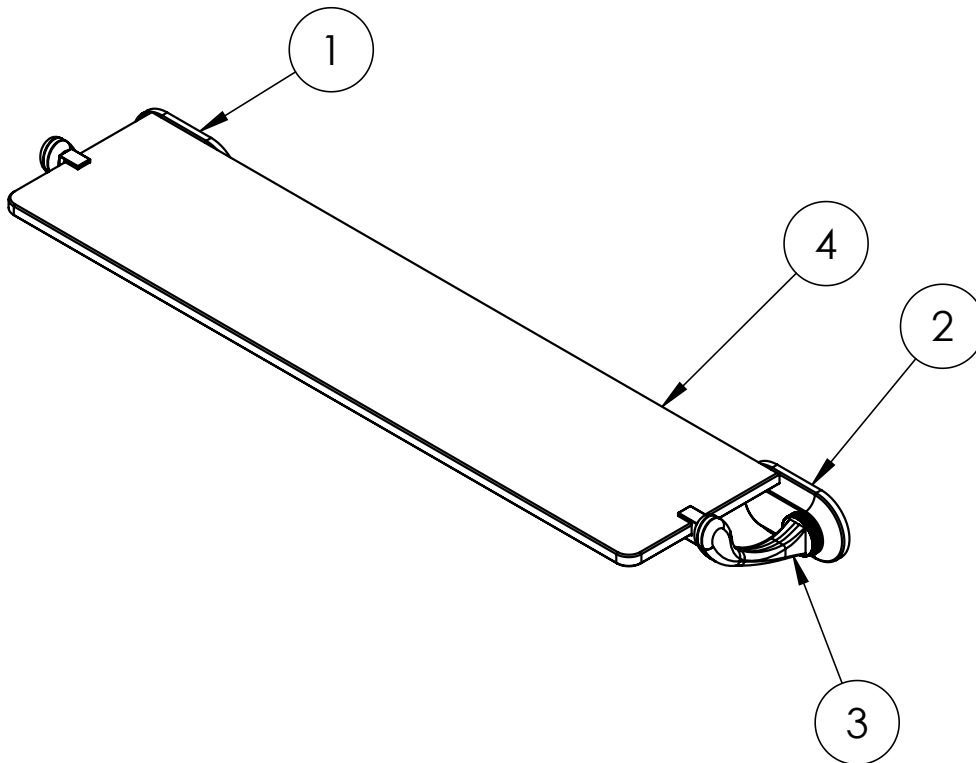
Dimensions in mm unless otherwise specified.

Tolerances (per material type) apply.



SPARES LIST

Only the parts labelled are available as spares.



NUMBER	PART CODE	DESCRIPTION
1	SP1814	Guild Screw Bag For GU015, GU023, GU029 And GU030
2	SP1815	Guild Wall Mounting Plate For Accessories
3	SP1816	Guild Grub Screws For Accessories
4	SP1821	Guild Glass Shelf For GU030