

PRODUCT DATA SHEET

Burlington[®]



PRODUCT CODE

GU013C

RANGE

Guild

DESCRIPTION

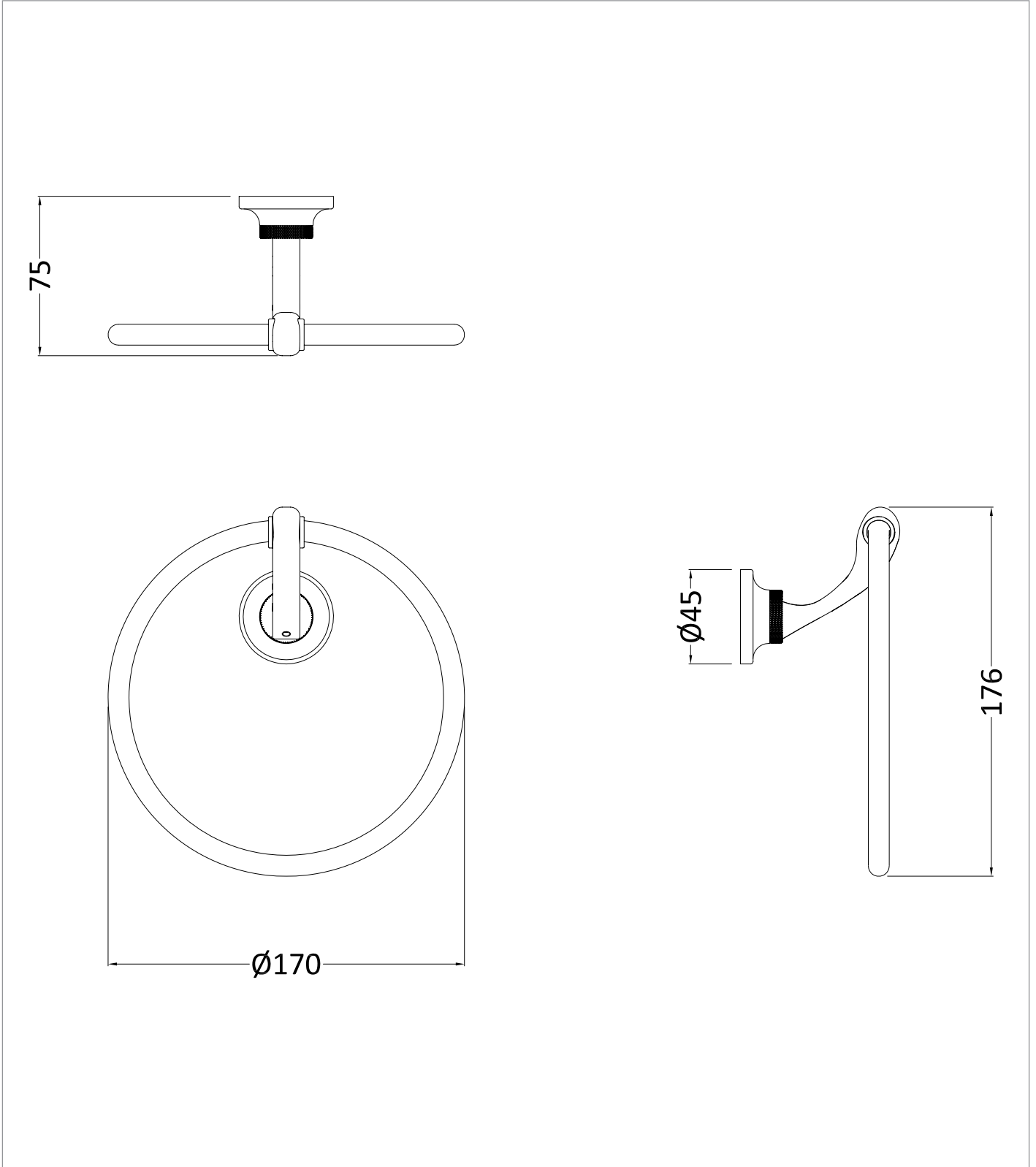
Guild Towel Ring Chrome

CATEGORY	Accessories
WARRANTY DETAILS	15 Years
COLOUR	Chrome
FINISH APPLICATION	Electroplated
PRIMARY MATERIAL	Brass
SECONDARY MATERIAL	Zamac
INSTALL TYPE	Wall Mounted
PRODUCT WIDTH MM	170
PRODUCT HEIGHT MM	176
PRODUCT DEPTH MM	75
PRODUCT NET WEIGHT KG	0.24

TECHNICAL DIMENSIONS

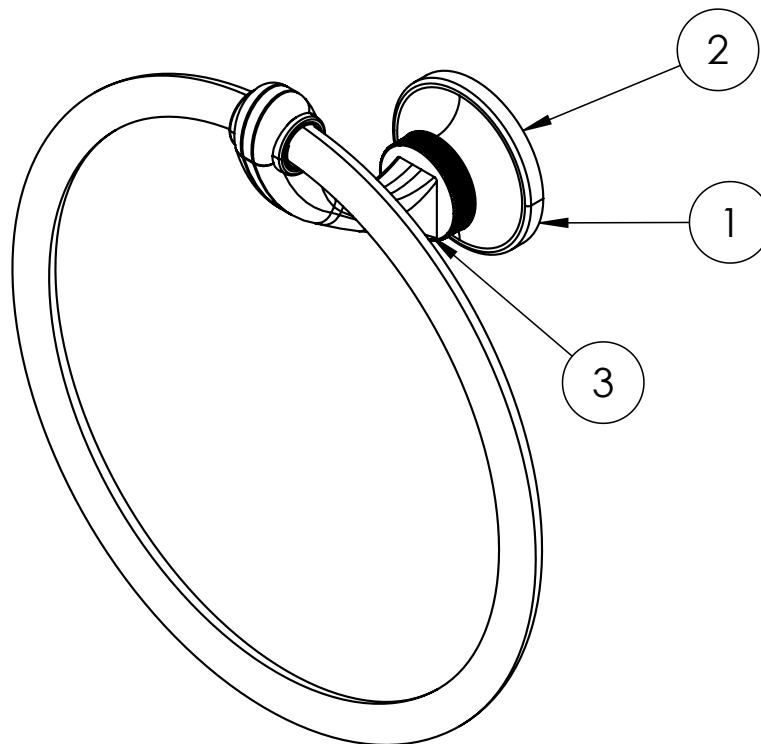
Dimensions in mm unless otherwise specified.

Tolerances (per material type) apply.



SPARES LIST

Only the parts labelled are available as spares.



NUMBER	PART CODE	DESCRIPTION
1	SP1813	Guild Screw Bag For GU003, GU005, GU011, GU013, GU021 And GU025
2	SP1815	Guild Wall Mounting Plate For Accessories
3	SP1816	Guild Grub Screws For Accessories