

PRODUCT DATA SHEET

Burlington[®]



PRODUCT CODE

GUKC

RANGE

Guild

DESCRIPTION

Guild Furniture Handle Pair Chrome

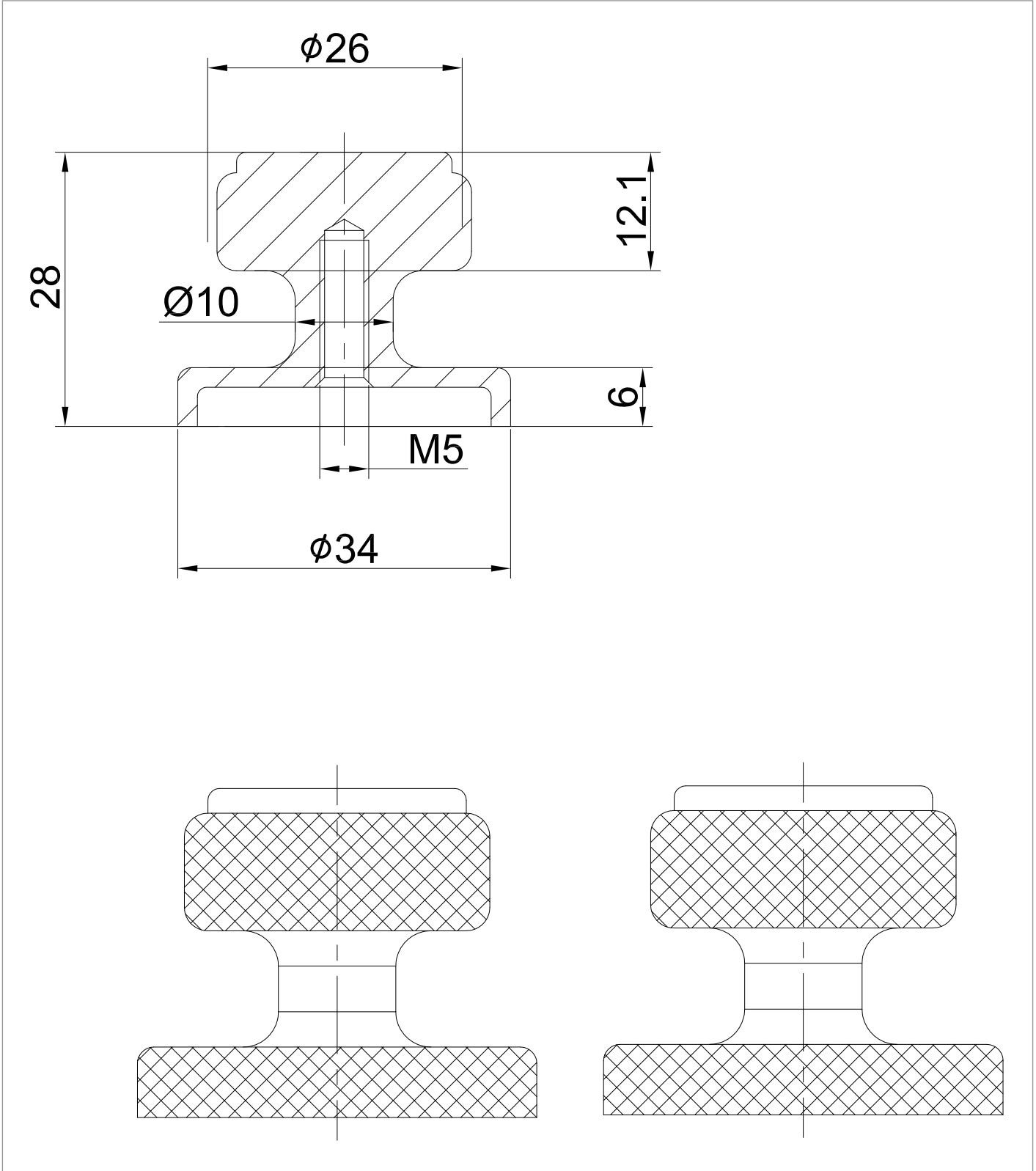
CATEGORY	Furniture
WARRANTY DETAILS	2 Years
COLOUR	Chrome
FINISH APPLICATION	Electroplated
PRIMARY MATERIAL	Brass
INSTALL TYPE	Furniture Mounted
PRODUCT WIDTH MM	34
PRODUCT HEIGHT MM	34
PRODUCT DEPTH MM	28
PRODUCT NET WEIGHT KG	0.09

WALL HANGERS	No
ADJUSTABLE FEET	No

TECHNICAL DIMENSIONS

Dimensions in mm unless otherwise specified.

Tolerances (per material type) apply.



SPARES LIST

Only the parts labelled are available as spares.

NO SPARES AVAILABLE