

# PRODUCT DATA SHEET

*Burlington*<sup>®</sup>



## PRODUCT CODE

GUHGG

## RANGE

Guild

## DESCRIPTION

Guild Seat Hinges with top fixings Gold

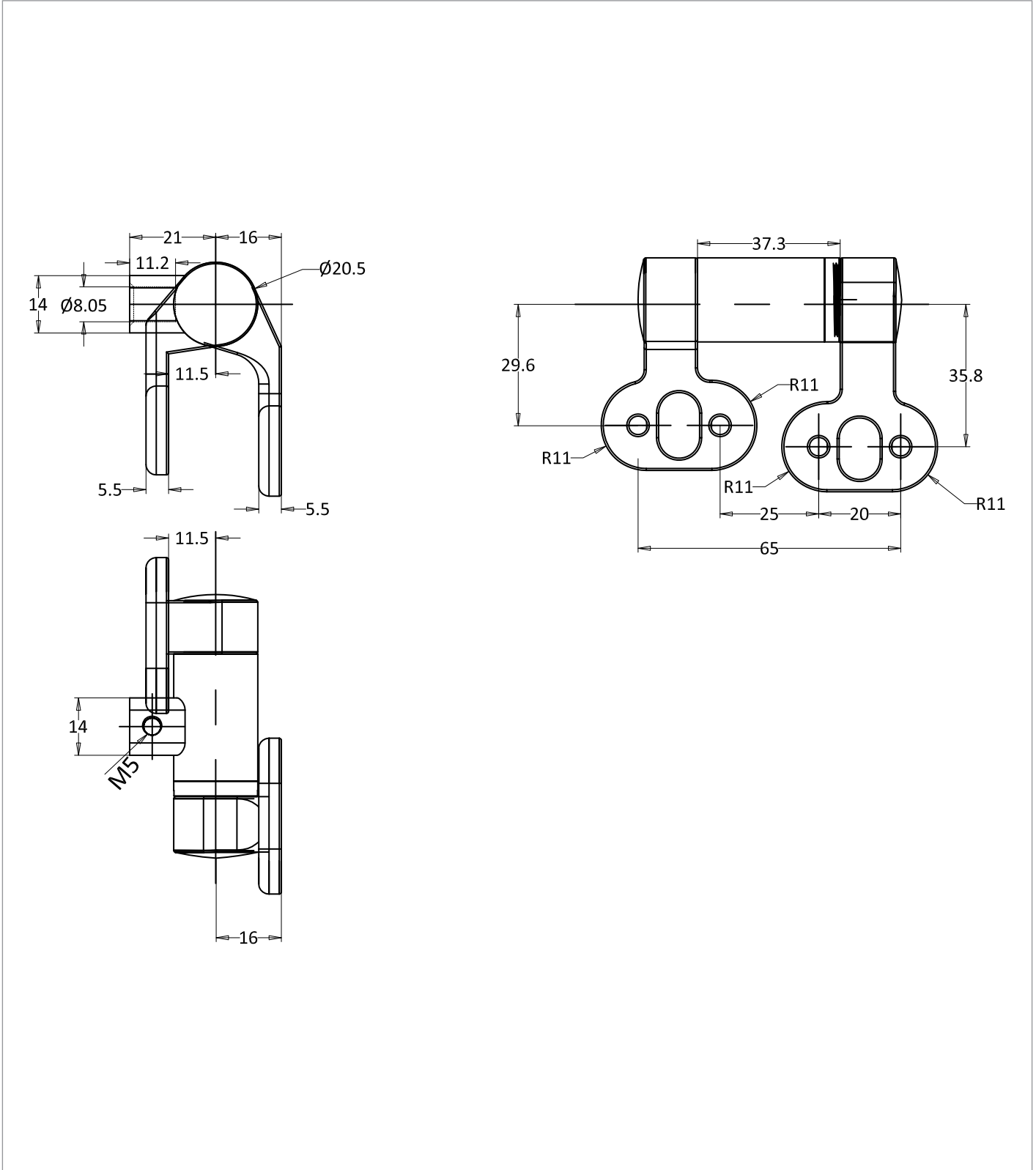
CATEGORY	Sanitaryware
WARRANTY DETAILS	2 Years
COLOUR	Gold
FINISH APPLICATION	PVD
PRIMARY MATERIAL	Zinc
INSTALL TYPE	Toilet Mounted
PRODUCT WIDTH MM	72
PRODUCT HEIGHT MM	34
PRODUCT DEPTH MM	80
PRODUCT NET WEIGHT KG	0.5

FIXINGS INCLUDED	Yes
FIXING TYPE	Top fixing

## TECHNICAL DIMENSIONS

Dimensions in mm unless otherwise specified.

Tolerances (per material type) apply.



## SPARES LIST

Only the parts labelled are available as spares.

SPARES AVAILABLE UPON REQUEST