

INSTALLATION INSTRUCTIONS

Slide rail - V33

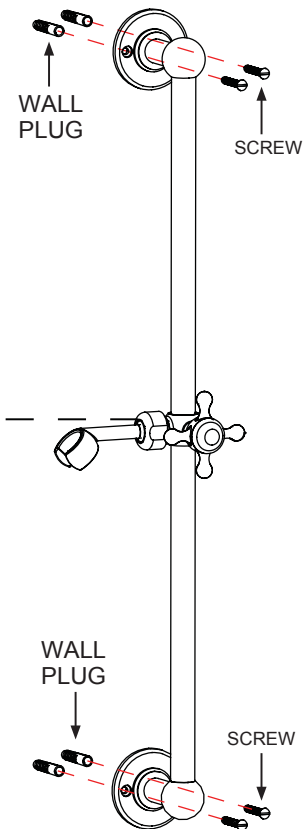
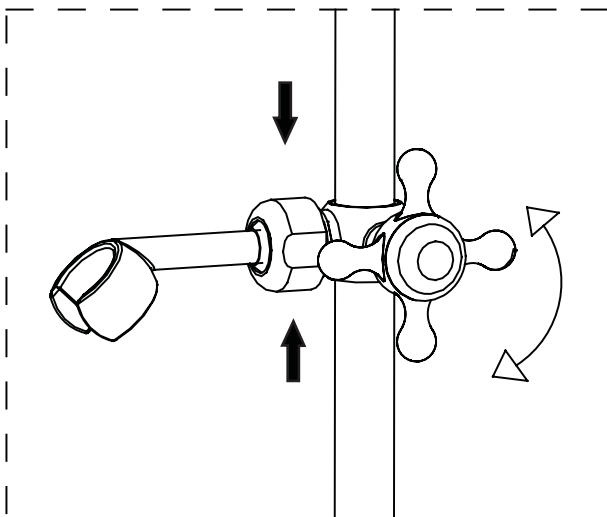
Important

- Please check this product immediately to ensure that it has not been damaged and is complete. Before installation, please make sure this product is the correct model and you have all the parts required for installation and using.
- Please read these instructions carefully and keep it for future reference.

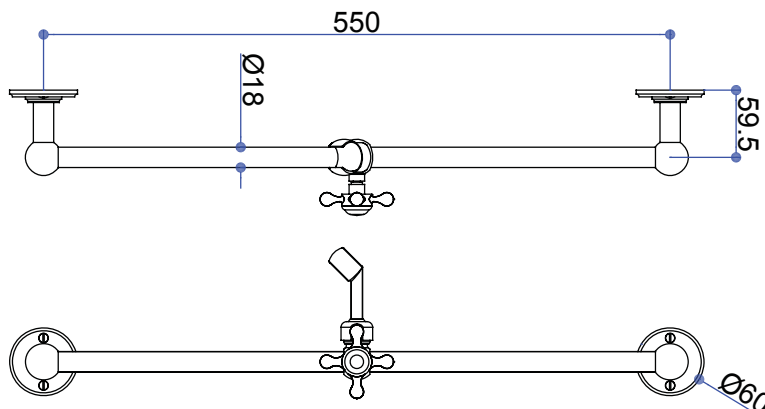
Installation

After identify the suitable place on the wall for slide rail kit, you need install the Slide rail first.

- Put two back plates on the wall and mark the position of 4 holes.
- Drill 4X8mm holes on the wall to a depth of 45mm and insert wall plugs.
- Fix the back plates and Slide rail to the wall with the supplied screws.



Dimension



Maintenance

We do NOT recommend you use any household cleaners to clean the product. Because these cleaners change substance or formula too frequently. The product should be always cleaned only with soapy water and rinsed with clean water and dried with a soft cloth.