

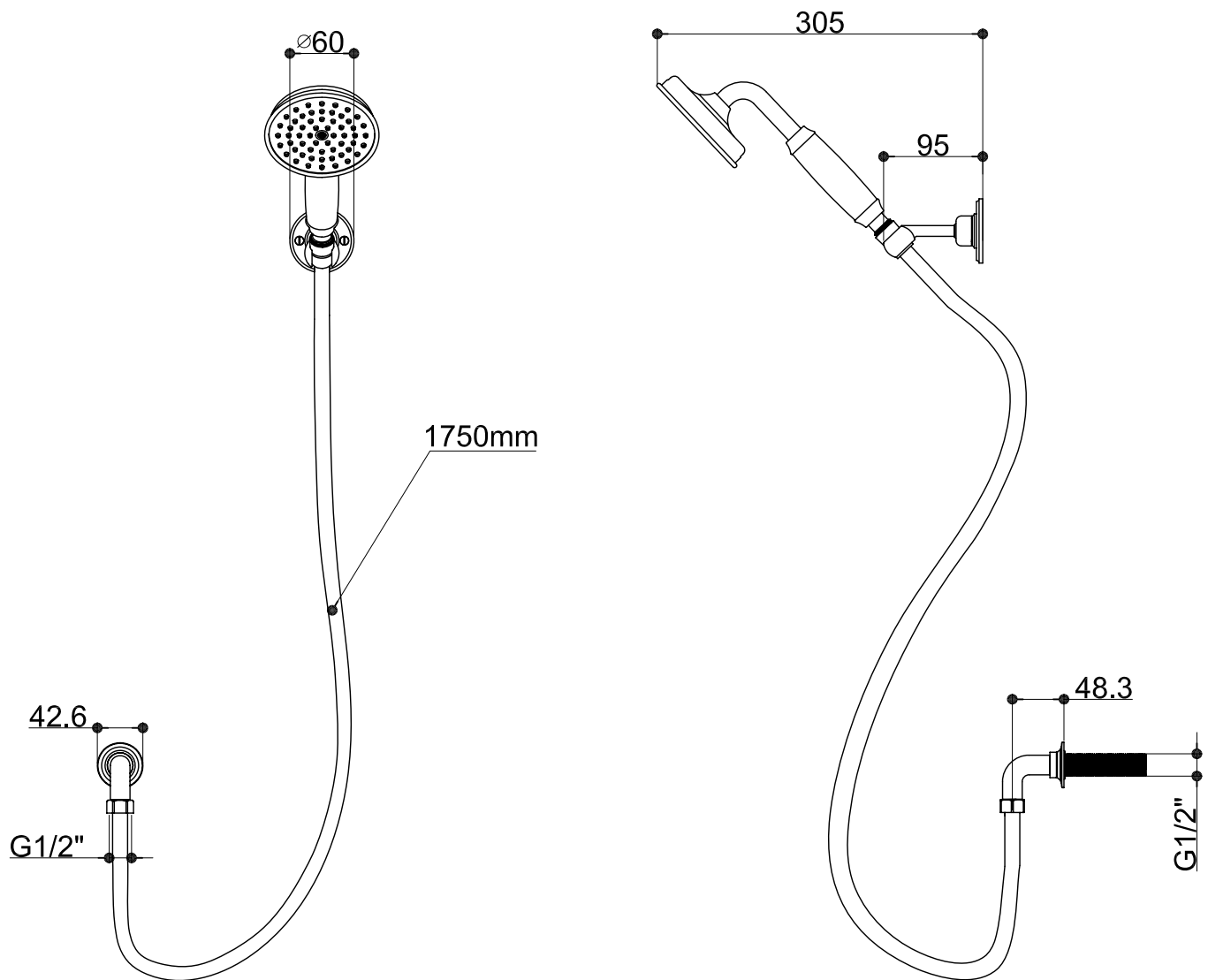
INSTALLATION INSTRUCTIONS

Riviera handset & hose & elbow - RIV20

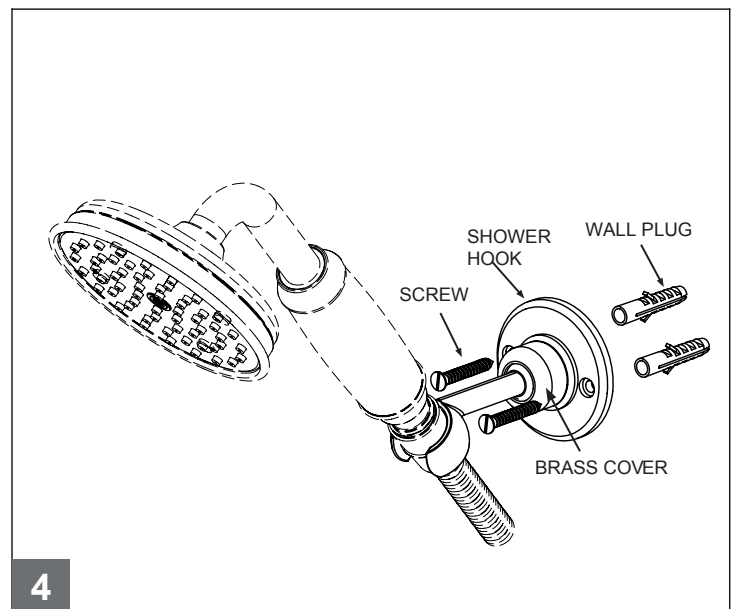
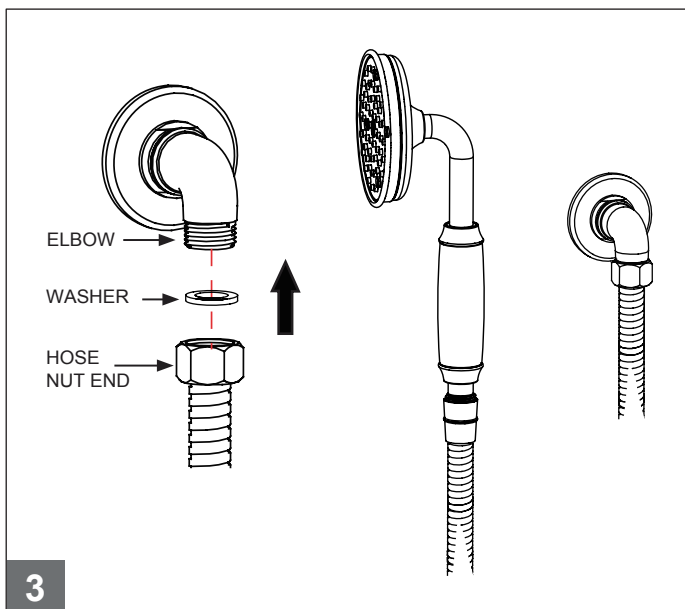
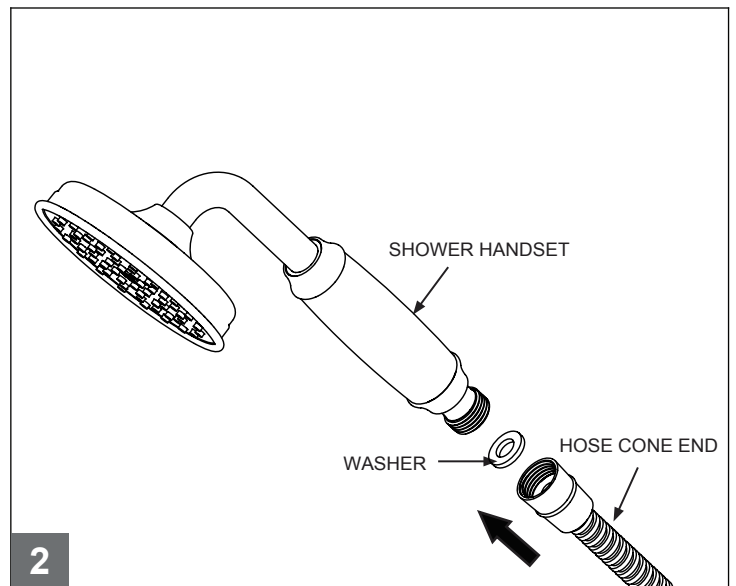
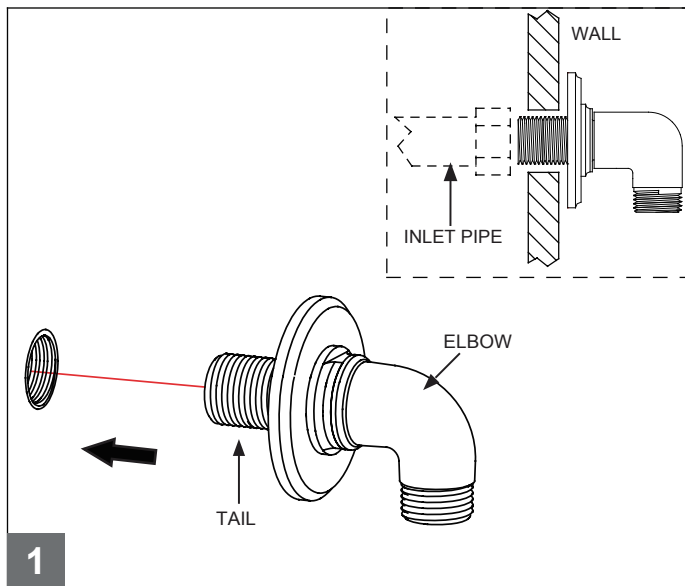
Important

- We recommend that this product is installed by a qualified professional contractor. Such as a plumber who is certified by NVQ (National Vocational Qualification) or SNVQ (Scottish National Vocational Qualification) Level 3.
- Please check this product immediately to ensure that it has not been damaged and is complete. Before installation, please make sure this product is the correct model and you have all the parts required for installation and using.
- Please read these instructions carefully and keep it for future reference.

Dimension



Installation



1. Connect the elbow with the water inlet pipe inside the wall (see Fig 1). Wind a suitable sealing tape on the tail to ensure water tightness.
2. Separately connect the hose with the shower handset & the elbow (see Fig 2 & 3).
3. Make sure the shower hook at a suitable position, then fix it onto the wall (see Fig 4). The friction of the bracket can be adjusted by tightening / loosening the brass cover.

Maintenance

We do NOT recommend you use any household cleaners to clean the product. Because these cleaners change substance or formula too frequently. The product should be always cleaned only with soapy water and rinsed with clean water and dried with a soft cloth.