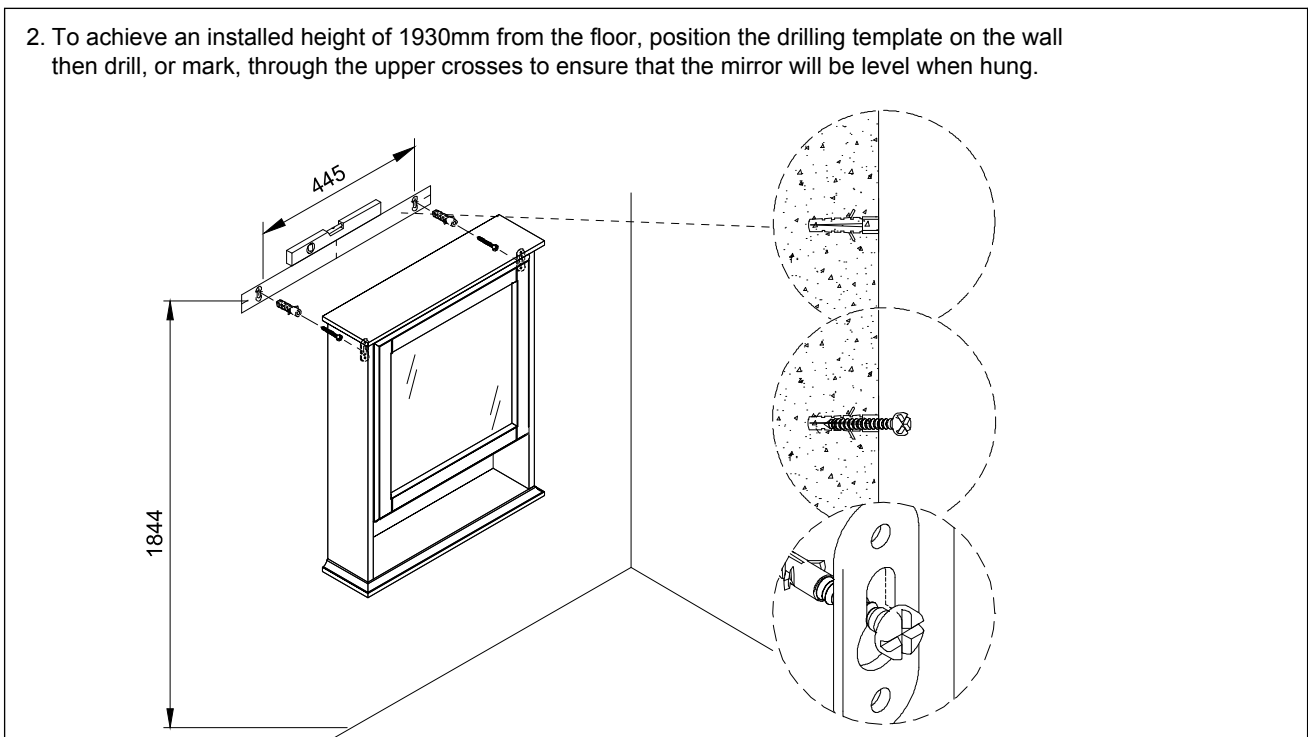
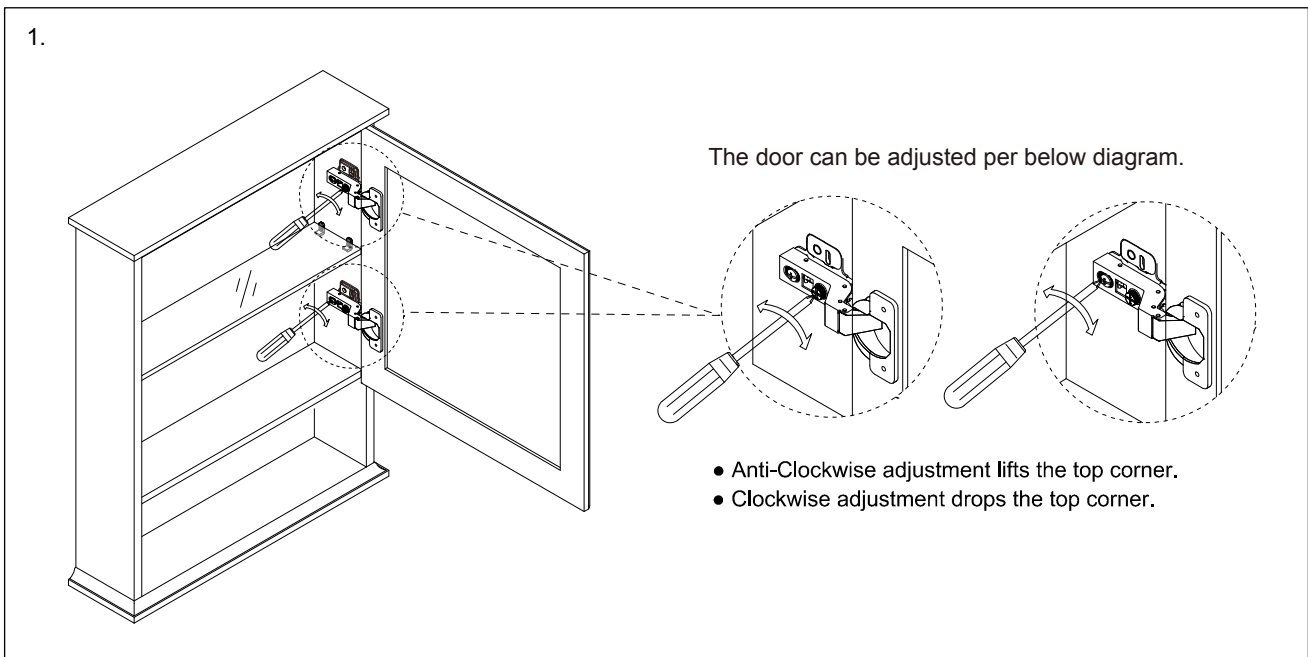
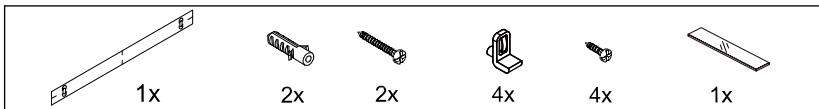


**IMPORTANT:** This unit must be securely fixed to a wall. Ensure that the top is horizontal before marking the wall for fixing. The wall fixings supplied may not be suitable for your installation. You may need to source alternatives depending on the material and strength of the wall you are fixing to.

**Care and Maintenance:** This is a wood product, and has a water resistant finish. It should not be left wet, and the quality of the finish is best maintained if it is wiped with a dry cloth after use. It should only be cleaned using a soft damp cloth followed by a dry cloth. Do not use bleach or any abrasive cleaner.

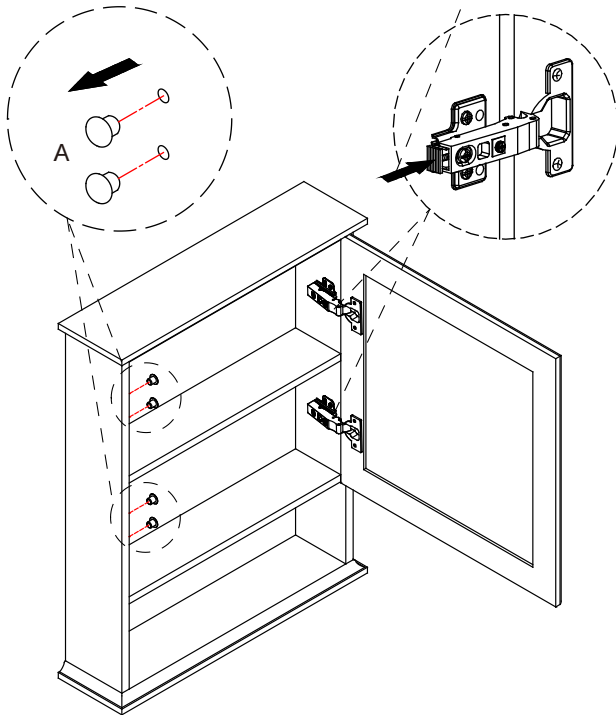
**Parts Supplied:**



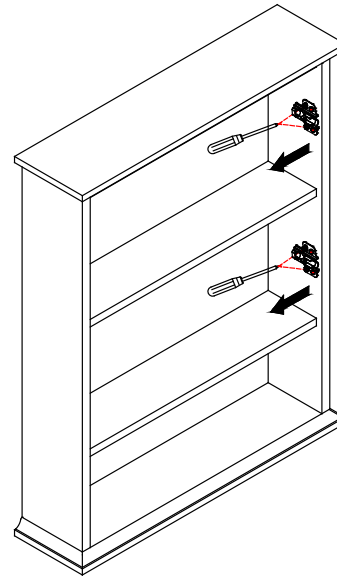
## Instructions for door reversal

1. Unscrew the hinges from the carcass, and from the opposite side remove parts A.

Press the end of the hinge plate to release it from the base.

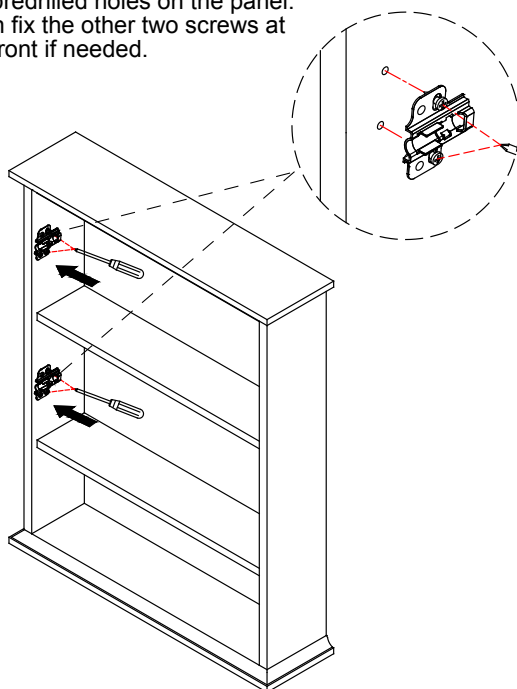


2. Unscrew the hinge base from the cabinet.



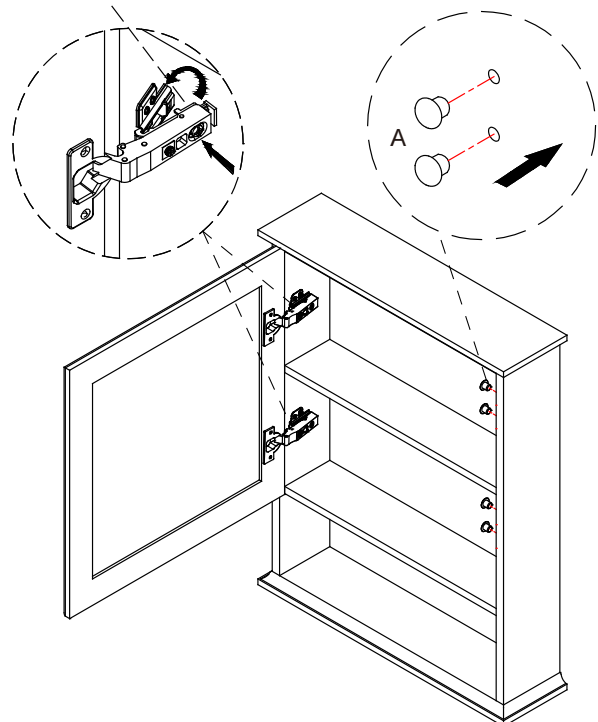
3. Attach the two hinge bases onto the opposite side panel in the right position as shown in the below diagram.

Fix the two screws at the back to the predrilled holes on the panel. Then fix the other two screws at the front if needed.

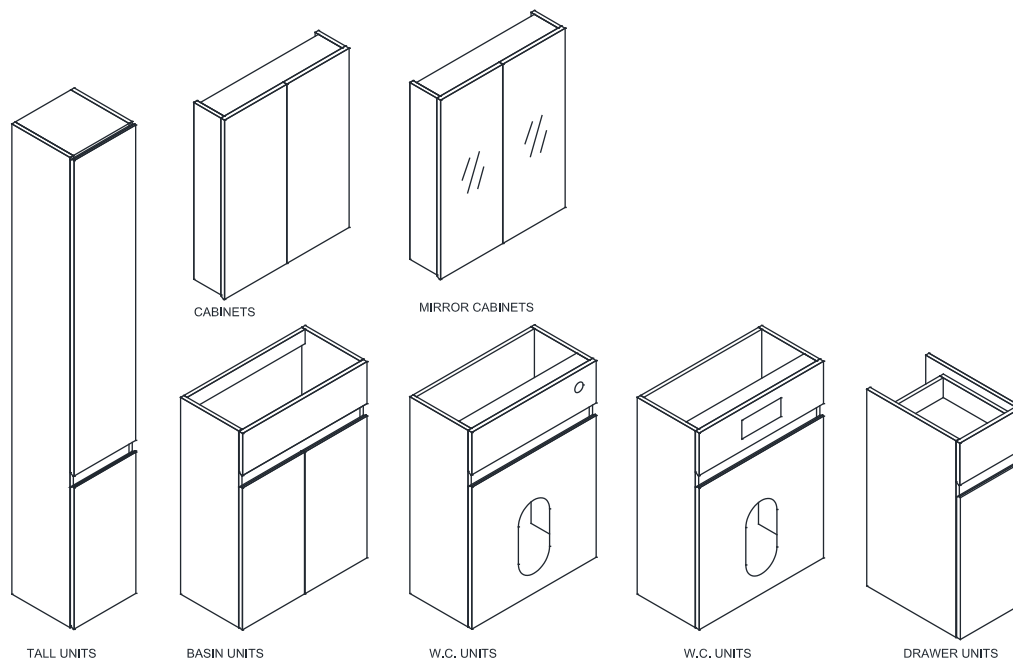


4. Reattach the door to the carcass, and insert the plug.

Press the hinge plate towards the base and click it onto the base.



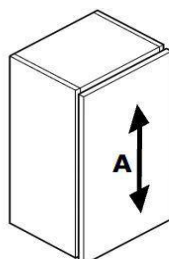
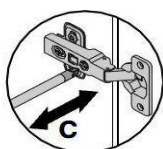
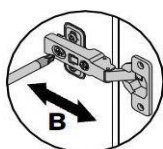
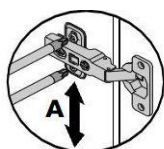
All raw and / or cut edges MUST be sealed against water ingress. This includes all edges of the cabinet units and the work tops. Failure to do so will lead to water damage and invalidate the warranties and guarantees.



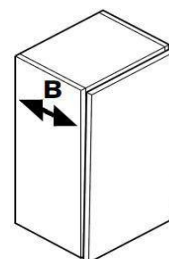
### IMPORTANT INSTRUCTIONS - READ BEFORE STARTING INSTALLATION WORK

1. Check the furniture for defects prior to installation. No claim for defects will be accepted after installation if these would have been apparent from a pre-installation inspection. Please do NOT install as returns will not be accepted once fitted.
2. We advise that you use a qualified person to install your units, as any issues relating to poor fitting will not be accepted by the supplier.
3. You have purchased a handmade and in some cases hand painted product. Therefore, you may see some slight imperfections which the supplier may deem as acceptable.
4. All raw and / or cut edges MUST be sealed against water ingress. This includes all edges of the cabinet units and the work tops. Failure to do so will lead to water damage and invalidate the warranties and guarantees.
5. Exposure to direct sunlight will cause discolouration of the product, especially any painted surfaces or wood veneers.
6. Due to motion during transportation, any pre- assembled furniture may require the cabinet doors and drawers to be adjusted after installation.
7. All furniture ( including free standing furniture ) must be securely fixed to the wall using suitable fixings. There are many different types of wall materials, so screws for anchoring the washstand to the wall are not included.
8. Basins must be secured to either the wall using basin mounting bolts where appropriate, or to the vanity unit silicone based adhesive. The basin (not supplied) Note that not all basins have this facility.
9. Wall hung units must be secured back to the wall using wall hanging brackets supplied. There are many different types of wall materials, so screws for anchoring the washstand to the wall are not included . It is the installer's responsibility to ensure the unit is safely secured in such a way that it cannot be pulled or levered off the wall. If fixing to a stud or panelled wall, a suitable frame work must be installed which can adequately support the unit when in use.
10. The hinge on the Laundry Basket can be adjusted by slackening the screw on the side of the sliding bar.
11. When fixing to a stud or panelled wall, appropriate frame work should be installed to support the basins and units.
12. Where units or worktops have to be cut-out for services, all raw edges MUST be sealed against water ingress.

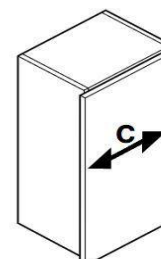
### Hinge Adjustment



**A- Vertical**  
Loosen screw 'A' on all hinges. Adjust door and retighten screw.



**B- Lateral**  
Loosen screw 'B'. Adjust door and retighten screw.



**C- Horizontal**  
Loosen screw 'B' 1/2 turn. Turn screw 'C' until door is positioned correctly and retighten screw 'B'.

# Bathroom Furniture Cleaning and Maintenance Guide

Please follow this simple guide to protect your bathroom furniture from damage.

## **Melamine, Vinyl and Foil Wrapped Doors**

Cleaning should be done with a soft damp cloth. Never use direct water contact on any of the carcass material of your unit as this will damage your furniture. Please dry the unit with a soft cloth after cleaning. Never use any abrasive cleaner, or a solvent based cleaner on your furniture. These will damage the finish of the surface leaving it discoloured and / or scratched.

## **High Gloss Doors**

Use a cleaning product not containing aggressive substances like acetone, alcohol, bleach ... as those components could seriously damage the surface of the door. The best would be to use a soft cotton or micro fibre cloth with only water and soft soap (containing a maximum 1% of liquid soap)

## **Marks and Stains**

Only use a damp cloth with mild soap to clean the surface. Never use bleaches, acetone, alcohol, aggressive surface cleaners or any abrasive cleaners.

## **Hinges and drawer runners**

These will need adjusting from time to time. Please see the enclosed instructions.

Never use de-greasing agents for cleaning the hinges or runners - this will affect the action of the moving parts. Hinges and drawers are designed not to be weight bearing - never lean or place excessive weight on the doors or drawers. Doing so will invalidate the warranties and guarantees.

## **Work Tops**

The work tops are designed for normal bathroom - however, this will be liable to stain if exposed to dyes, acetone or bleach. Hard objects or impacts will scratch the surface. Any spillage of make up, nail varnish or any other corrosive liquid should immediately be wiped off with a damp soft cloth.

## **Humidity**

Please ensure the bathroom has adequate ventilation - excessive humidity and / or temperature will damage the product. This product is not suitable for a WET ROOM, or any other similar damp environment.

## **WATER DAMAGE**

This product will be damaged by prolonged or excessive exposure to water / moisture. The product should be installed in a position which will protect it from any splashes or spillages. Additionally, water should not be allowed to stand or pool on any surface - these should be wiped dry as soon as possible. Failure to do so will damage the product and invalidate the warranties and guarantees.

## **Regulations**

If it is your intention to remove and replace your bathroom fittings with "like for like" units, then this is classed as "non regulated" and no building regulations would be required. However, building regulation approval may be required if the bathroom refurbishment involves altering the drainage or the internal layout within the dwelling to accommodate the new fitting such as a second bathroom. In this instance, we would advise you to contact the Building Control Department at your local authority to discuss the need for a formal building regulation application.

Macerator - Current building regulations specify that a sanipump smallbore system can be fitted in a dwelling where there is also a normal gravity discharge W.C. It should not be the only W.C. facility.

Electrical - Remember that double pole isolating switches are required for all electrical points apart from special razor sockets. All work must conform to BS7671: 2008 the current I.E.E. Regulations.

None of the above in any way effect your statutory warranties and guarantees.