

PRODUCT DATA SHEET

Burlington[®]



PRODUCT CODE

BC75

RANGE

Furniture

DESCRIPTION

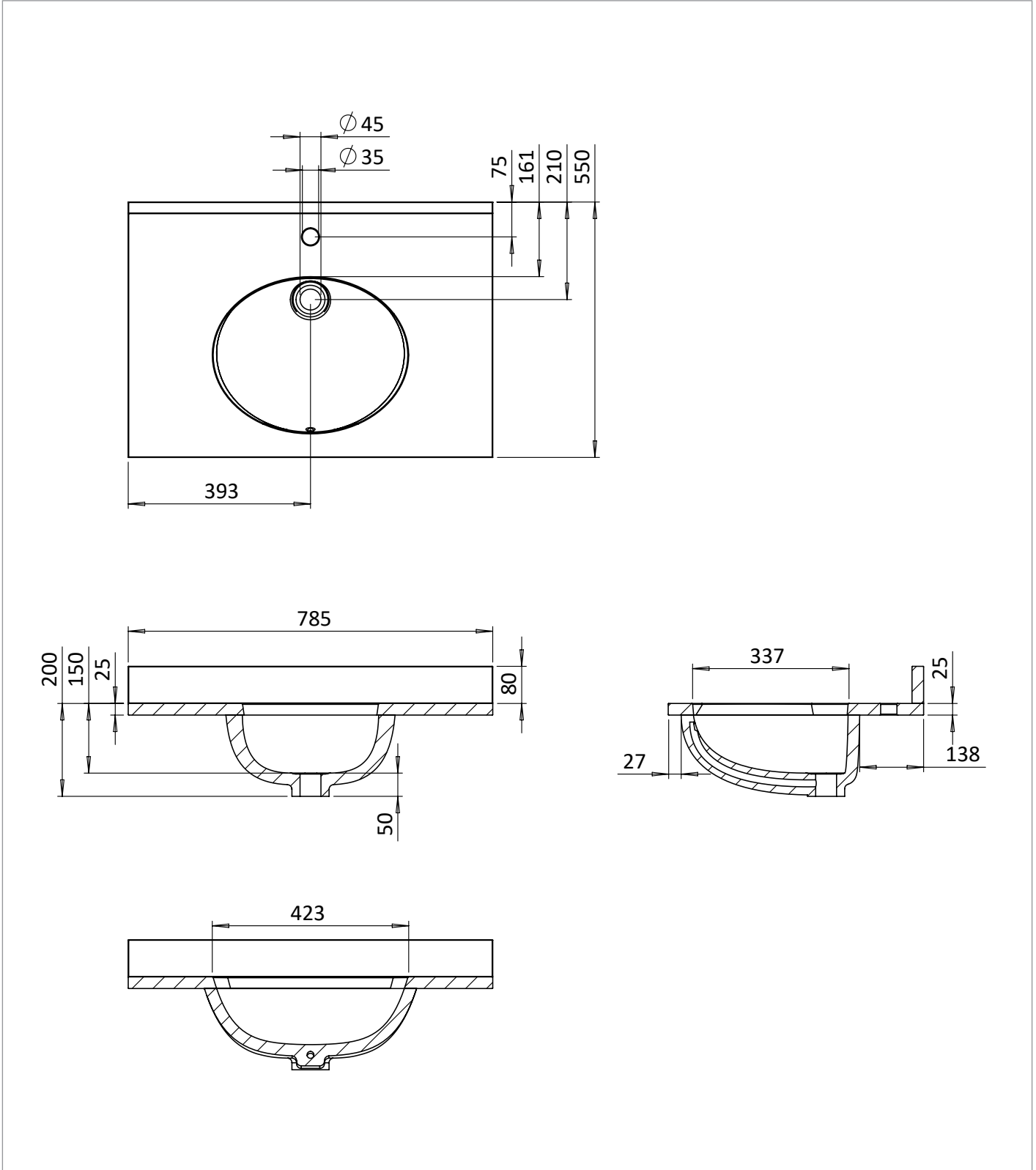
Burlington 750 Top Upstand Carrara
Minerva

CATEGORY	Furniture
WARRANTY DETAILS	10 Years
COLOUR	Carrara
FINISH APPLICATION	Polished
PRIMARY MATERIAL	Acrylic
INSTALL TYPE	Furniture Mounted
PRODUCT WIDTH MM	785
PRODUCT HEIGHT MM	180
PRODUCT DEPTH MM	550
PRODUCT NET WEIGHT KG	24.5

TECHNICAL DIMENSIONS

Dimensions in mm unless otherwise specified.

Tolerances (per material type) apply.



SPARES LIST

Only the parts labelled are available as spares.

NO SPARES AVAILABLE